

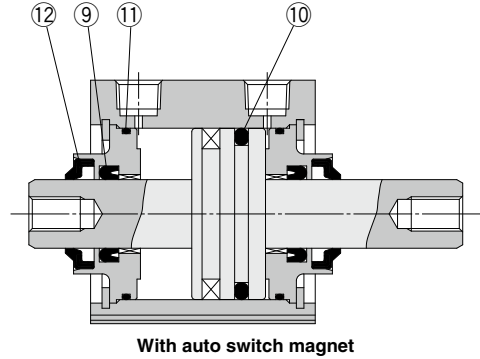
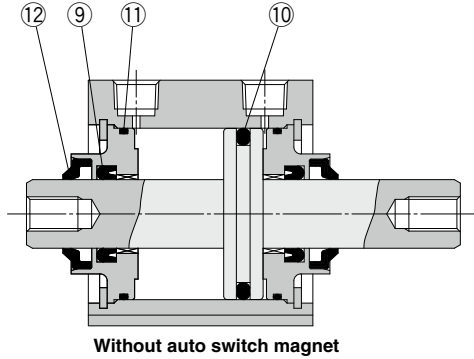
CQ2W-R/V Series

ø40, ø50, ø63
ø80, ø100



Construction

Standard



* The numbers correspond with those in the "Construction" of the CQ2 series in the **Web Catalog**.

Component Parts

No.	Description	Material	Note
⑨	Rod seal	R: NBR	12 is a non-replaceable part, so it is not included in the seal kit.
		V: FKM	
⑩	Piston seal	R: NBR	
		V: FKM	
⑪	Tube gasket	R: NBR	
		V: FKM	
12	Rod scraper	R: NBR	
		V: FKM	

* R: NBR seal (Nitrile rubber)
V: FKM seal (Fluororubber)

Replacement Parts: Seal Kit

Bore size (mm)	Part no.		Contents
	R: NBR	V: FKM	
40	CQ2WB40R-PS	CQ2WB40V-PS	Set of nos. ⑨, ⑩, ⑪
50	CQ2WB50R-PS	CQ2WB50V-PS	
63	CQ2WB63R-PS	CQ2WB63V-PS	
80	CQ2WB80R-PS	CQ2WB80V-PS	
100	CQ2WB100R-PS	CQ2WB100V-PS	

* The seal kit includes ⑨, ⑩, ⑪. Order the seal kit based on each bore size.

* A rod scraper cannot be replaced independently. It is press-fitted, so replace it not only with a collar, but also with a collar assembly. Please contact SMC separately for how to order it.

* Since the seal kit does not include a grease pack, it should be ordered separately.

Grease pack part no.: GR-S-010 (10 g)