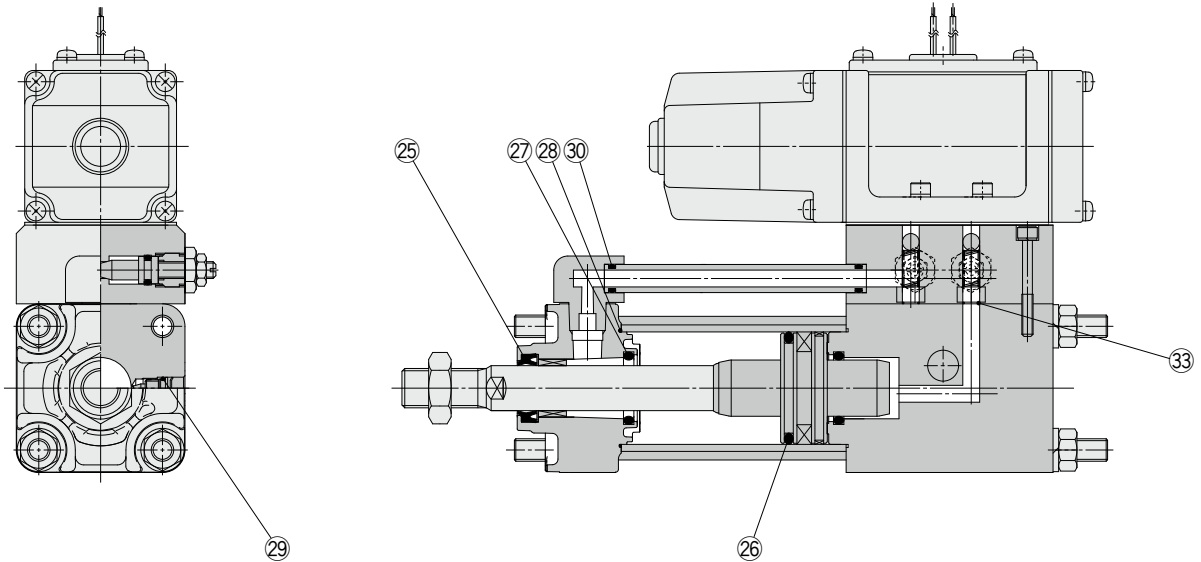


Valve Mounted Cylinder/Double Acting

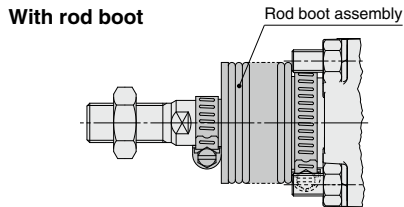
CVS1 Series

Lube Type, Non-lube Type:
 $\varnothing 40$, $\varnothing 50$, $\varnothing 63$, $\varnothing 80$, $\varnothing 100$

Construction



* The numbers correspond with those in the "Construction" of the CVS1 series in the **Web Catalog**.



* Replaceable with the rod boot assembly
 For details on replacement part numbers, refer to page 248.

Component Parts

No.	Description	Material	Note
25	Rod seal	NBR	27 and 29 are non-replaceable parts, so they are not included in the seal kit.
26	Piston seal		
27	Cushion seal	Urethane	
28	Cylinder tube gasket	NBR	
29	Cushion valve seal		
30	Pipe gasket		
33	Valve port gasket		

Replacement Parts: Seal Kit

Bore size (mm)	Part no.	Contents
40	CVS1N40-PS	Set of nos. 25, 26, 28, 30, 33
50	CVS1N50-PS	
63	CVS1N63-PS	
80	CVS1N80-PS	
100	CVS1N100-PS	

* The seal kit includes 25, 26, 28, 30, 33. Order the seal kit based on each bore size.

* The seal kit includes a grease pack ($\varnothing 40$, $\varnothing 50$: 10 g, $\varnothing 63$, $\varnothing 80$: 20 g, $\varnothing 100$: 30 g).
 Order with one of the following part numbers when only the grease pack is required.

Grease pack part no.: GR-S-010 (10 g), GR-S-020 (20 g)