

# Valve Mounted Cylinder/Single Acting, Spring Return/Extend

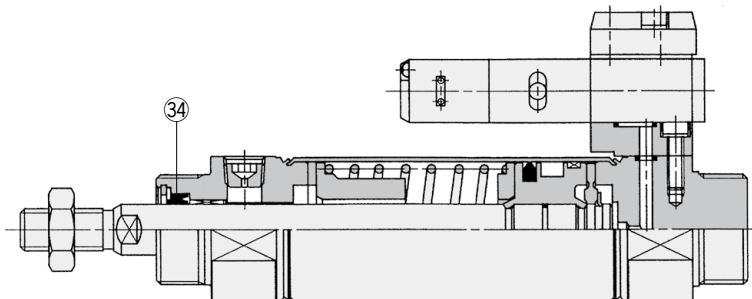
# CVM3 Series

ø20, ø25, ø32, ø40

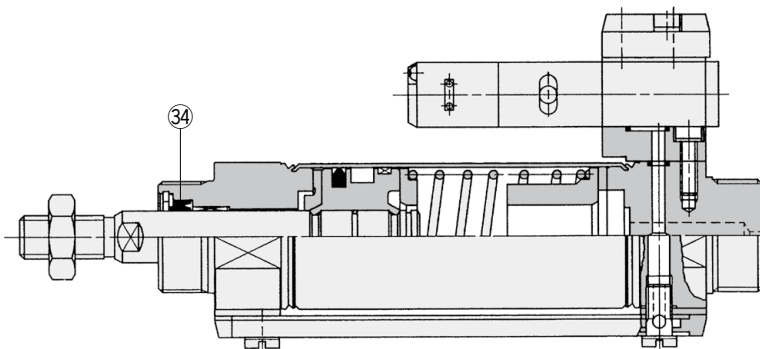
The Replacement Procedure is on p. 377

## Construction

### Spring return



### Spring extend



\* The numbers correspond with those in the "Construction" of the CVM3 series in the **Web Catalog**.

### Seal Kit List

No.	Description	Material	Note
34	Rod seal	NBR	

### Replacement Parts: Seal Kit

Bore size (mm)	Part no.	Contents
20	CM220-PS	
25	CM225-PS	
32	CM232-PS	
40	CM240-PS	

\* Since the seal kit does not include a grease pack, it should be ordered separately.

**Grease pack part no.:** GR-S-010 (10 g)