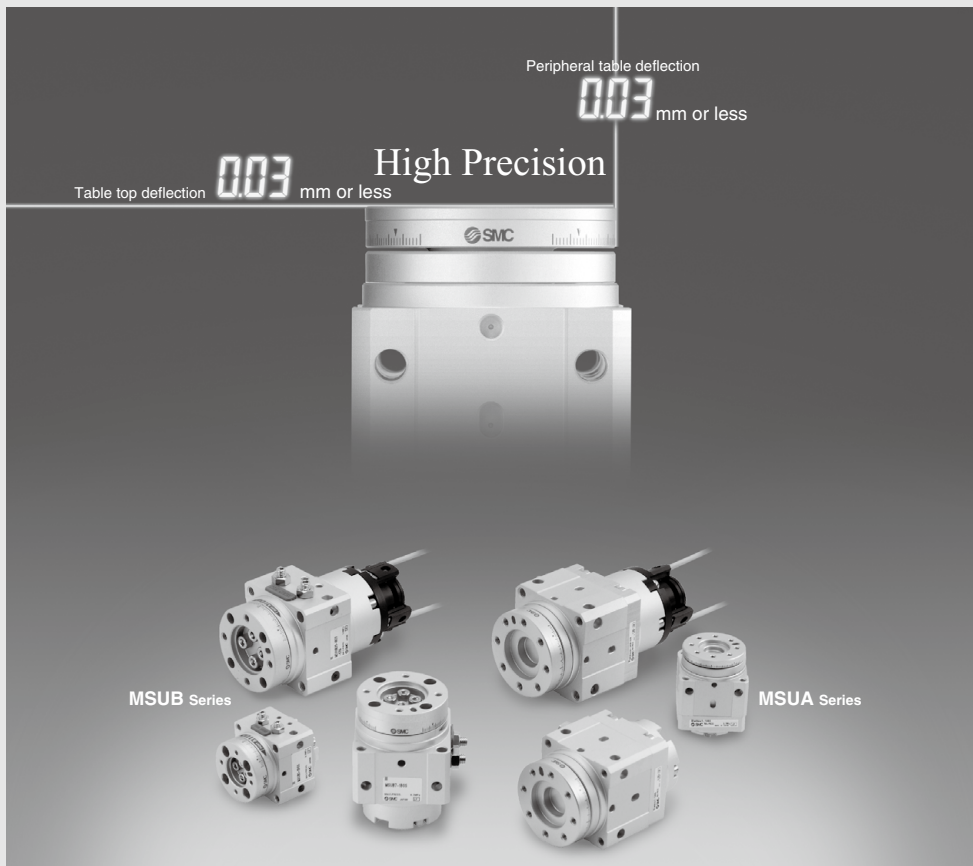


Rotary Table/Vane Type

MSU Series

Size: 1, 3, 7, 20



Rotary MSU

Vane Type/

Rotary actuator with lightweight,

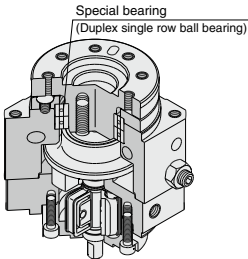
MSUA Series

Improved table deflection accuracy:
0.03 mm or less

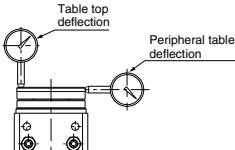


High precision type
Size: 1, 3, 7, 20

High precision/High rigidity



Deflection accuracy: Displacement for 180° rotation



Model	MSUA
Table top deflection	0.03 (0.1 to 0.2)
Peripheral table deflection	0.03 (0.1 to 0.2)

(mm)

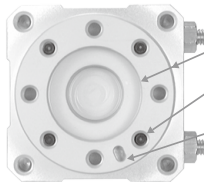
Values inside () are for MSUB series

Disengageable

Maintenance work is simplified.
The drive unit can be replaced with the load mounted.

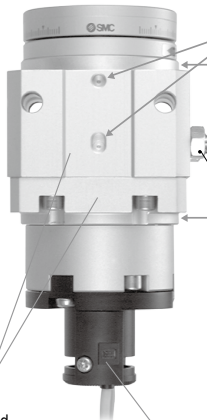


Easy alignment when mounting the load



- Table inside/outside diameter tolerance H9/h9
- Female threads for load mounting provided in eight places. (Increases freedom in mounting the load)
- Mounting reference pin holes

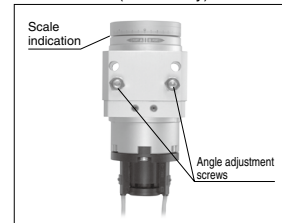
Easy alignment when mounting the body



- Mounting reference pin holes (Alignment with center of body)
Provided on three sides, excluding port side
- Reference diameter h9 (Alignment with center of table rotation)

Angle adjustable

90° ±10°, 180° ±10°
Double vane (MSUB only) 90° ±5°



Auto switch capable

Since switches can be moved anywhere on the circumference, they can be mounted at positions which accommodate the specifications.

Table

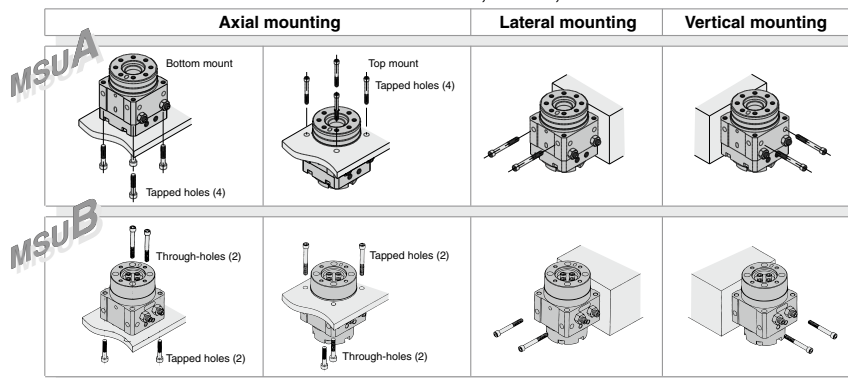
Series

Size: 1, 3, 7, 20

compact table for robotic hands

Free mount type

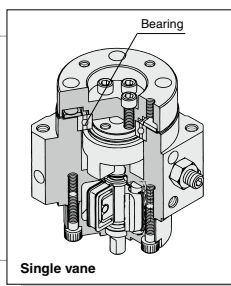
Can be mounted from three directions: axial, lateral, vertical



Basic type **MSUB Series**

Size: 1, 3, 7, 20

- Single vane and double vane standardized
- Double vane has the same dimensions as single vane (Except size 1)



Series Variations

Series	Size	Rotating angle	Vane type	Applicable auto switch	Page
High precision type MSUA	1	90°	Single vane	D-9, D-T99 D-9□A, D-S99, S9P	P.202
	3				
	7	180°		D-R73, D-T79 D-R80, D-S79, S7P	
	20				
Basic type MSUB	1	90°	Single vane	D-9, D-T99 D-9□A, D-S99, S9P	P.214
	3				
	7	180°		D-R73, D-T79 D-R80, D-S79, S7P	
	20				

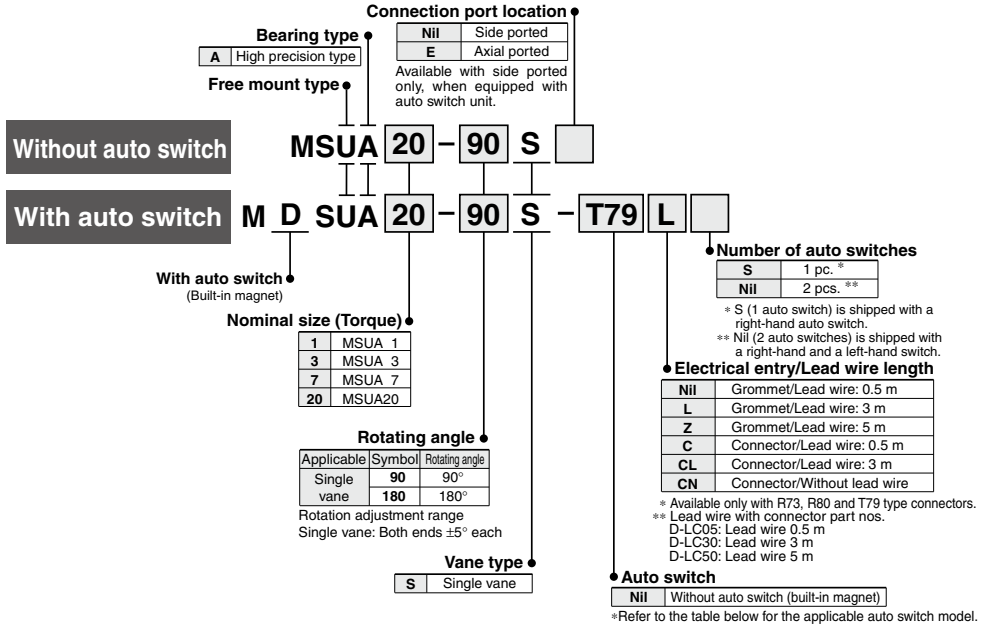
* Double vane is available with 90° rotation setting only.

Rotary Table: High Precision Type Vane Type

MSUA Series

Size: 1, 3, 7, 20

How to Order



Applicable Auto Switches/Refer to pages 929 to 983 for further information on auto switches.

Applicable model	Type	Special function	Electrical entry	Indicator light	Wiring (Output)	Load voltage		Auto switch model		Lead wire type	Lead wire length (m) *				Pre-wired connector	Applicable load
						DC	AC	Perpendicular	In-line		0.5 (Nil)	3 (L)	5 (Z)	None (N)		
MDSUA1 MDSUA3	Solid state auto switch	—	Grommet	—	3-wire (NPN) 3-wire (PNP)	5 V, 12 V	—	S99V S99	—	Heavy-duty cord	●	●	○	—	○	IC circuit Relay, PLC
	Reed auto switch	—	—	—	2-wire	12 V	—	S9PV S9P T99V T99	—	Parallel cord	●	●	○	—	○	
MDSUA7 MDSUA20	Solid state auto switch	—	Grommet	—	3-wire (NPN) 3-wire (PNP)	5 V, 12 V	—	90	—	Parallel cord	●	●	●	—	—	IC circuit Relay, PLC
	Reed auto switch	—	Connector Grommet Connector Grommet Connector	—	2-wire	12 V	100 V	90A 97 93A	—	Heavy-duty cord	●	●	●	—	—	
								S79 S7P T79 T79C	—		●	●	○	—	○	
								R73 R73C	—		●	●	○	—	—	
								R80 R80C	—		●	●	○	—	—	

* Lead wire length symbols: 0.5 m Nil (Example) R73C
3 m L (Example) R73CL
5 m Z (Example) R73CZ
None N (Example) R73CN

* Auto switches are shipped together (but not assembled).

* Auto switches marked with "○" are made-to-order specifications.

* Refer to pages 970 and 971 for detailed solid state auto switches with pre-wired connectors.

Order example: MSUA20 single vane type (connection port side location selected)

- Standard type (Without auto switches), Rotation 90°, side port location MSUA20-90S
- With auto switch unit (Without auto switches), Rotation 180°, side port location MDSUA20-180S
- With auto switch unit + Auto switch R73, Rotation 180°, Side port location MDSUA20-180S-R73

Rotary Table: High Precision Type Vane Type **MSUA Series**

Specifications



Moisture Control Tube IDK Series



When operating an actuator with a small diameter and a short stroke at a high frequency, the dew condensation (water droplet) may occur inside the piping depending on the conditions. Simply connecting the moisture control tube to the actuator will prevent dew condensation from occurring. For details, refer to the [Web Catalog](#).

Model *2	MSUA1	MSUA3	MSUA7	MSUA20
Vane type	Single vane			
Rotating angle *1	90° ± 10°	180° ± 10°	90° ± 10°	180° ± 10°
Fluid	Air (Non-lube)			
Proof pressure (MPa)	1.05		1.5	
Ambient and fluid temperature	5 to 60°C			
Operating pressure range (MPa)	0.2 to 0.7		0.15 to 1.0	
Rotation time adjustment range (s/90°)	0.07 to 0.3 (0.5 MPa)			
Shaft load	Allowable radial load	20 N	40 N	60 N
	Allowable thrust load	15 N	30 N	60 N
	Allowable moment	0.3 N·m	0.7 N·m	2.9 N·m
Bearing	Special bearing			
Port location	Side ported or Top ported			
Port size	Side ported	M3 x 0.5		M5 x 0.8
	Top ported	M3 x 0.5		M5 x 0.8
Deflection accuracy	0.03 mm or less			

*1 Single vane 90° can be adjusted to 90° ± 10° (both ends of rotation ± 5° each)
 Single vane 180° can be adjusted to 180° ± 10° (both ends of rotation ± 5° each)

*2 Correspondence to equivalent current free-mount types

(Note) Refer to page 45 for allowable kinetic energy.

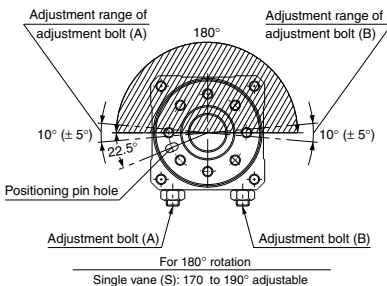
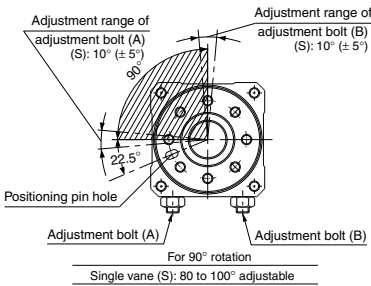
Rotary table	Free-mount rotary actuator
MSUA 1	CRBU2W10
MSUA 3	CRBU2W15
MSUA 7	CRBU2W20
MSUA20	CRBU2W30

Symbol



Table Rotation Range

Angle adjustment is possible as shown in the drawings below using adjustment bolts (A) and (B).



Weight

Size	Rotating angle	Basic weight		Auto switch unit (Note)
		Single vane		
1	90°	162		15
	180°	161		
3	90°	262		20
	180°	260		
7	90°	440		28
	180°	436		
20	90°	675		38
	180°	671		

(Note) Values above do not include auto switch weight.

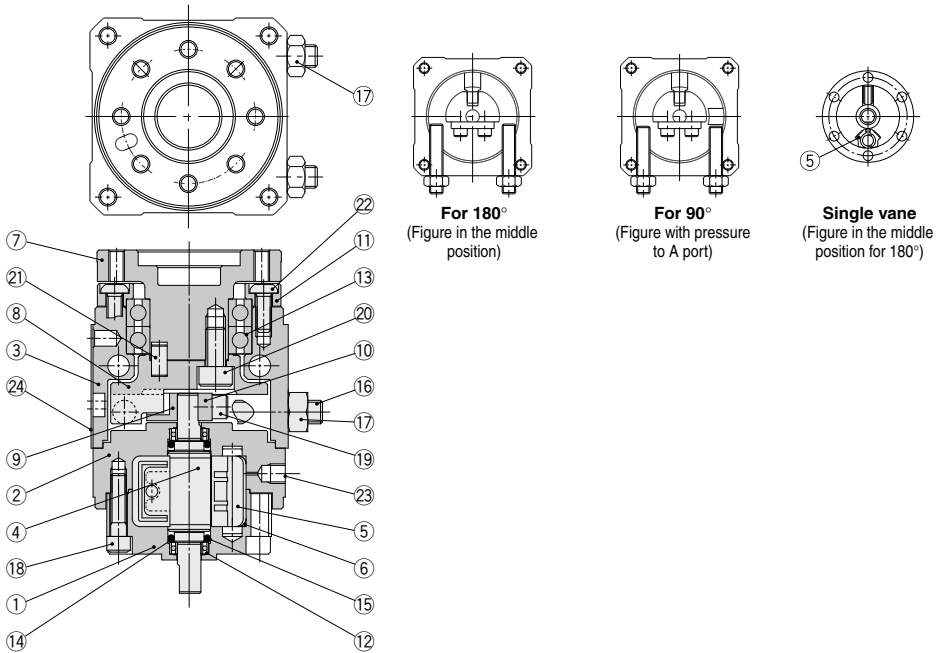
Allowable Load

Do not permit the load and moment applied to the table to exceed the allowable values shown in the table below. (Operation above the allowable values can cause adverse effects on service life, such as play in the table and loss of accuracy.)

Size	Allowable radial load (N)	Allowable thrust load (N)	Allowable moment (N·m)
1	20	15	0.3
3	40	30	0.7
7	50	60	0.9
20	60	80	2.9

Construction

Internal Construction of Rotary Table



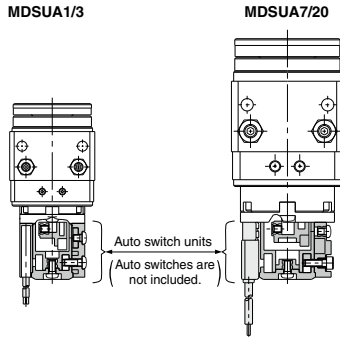
Component Parts

No.	Description	Material	Note
1	Body A	Aluminum alloy	Anodized
2	Body B	Aluminum alloy	Anodized
3	Body C	Aluminum alloy	Anodized
4	Vane shaft	Stainless steel (MSUA20 is chromium molybdenum steel)	Single vane
5	Stopper	Resin	Single vane
6	Stopper seal	NBR	Special seal
7	Table	Aluminum alloy	Anodized, Serigraph
8	Stopper lever	Chromium molybdenum steel	Heat treated, Electroless nickel plated
9	Stopper guide	Stainless steel	Nitriding
10	Lever retainer	Rolled steel	Zinc Chromated
11	Bearing retainer	Aluminum alloy	Anodized
12	Bearing	Bearing steel	
13	Special bearing	Bearing steel	
14	Back-up ring	Stainless steel	
15	O-ring	NBR	
16	With adjustment bolt	Chromium molybdenum steel	Heat treated
17	Hexagon nut	Steel wire	
18	Hexagon socket head cap screw	Stainless steel	Special screw
19	Hexagon socket head cap screw	Stainless steel	Special screw
20	Hexagon socket head cap screw	Chromium molybdenum steel	
21	Parallel pin		
22	Button bolt	Chromium molybdenum steel	
23	Hexagon socket head cap screw	Stainless steel	SE type only
24	Label		

* The hexagon socket head cap screw 23 is used only when the connection port is type SE.
 * Individual part cannot be shipped. Please purchase the whole unit. (Refer to page 230.)

Construction

Internal construction with auto switch



* Refer to page 116 for the component parts.

* The auto switch unit can be retrofitted on a rotary actuator.
Auto switches should be ordered separately since they are not included.

Model	Auto switch unit part no.
M(D)SUA 1	P211070-1
M(D)SUA 3	P211090-1
M(D)SUA 7	P211060-1
M(D)SUA20	P211080-1

Auto switch block unit			
MDSUA1/3		MDSUA7/20	
For reed auto switch		For solid state auto switch	Combination of reed and solid state auto switches
Right-handed	Left-handed	Combination left & right-handed	Combination left & right-handed
Part no.: P211070-8	Part no.: P211070-9	Part no.: P211070-13	Part no.: P211060-8

- * The auto switch block unit is included in the auto switch unit.
- * Auto switch block unit shows the necessary assembly for mounting 1 piece of auto switch to the auto switch unit.
- * Individual part cannot be shipped.

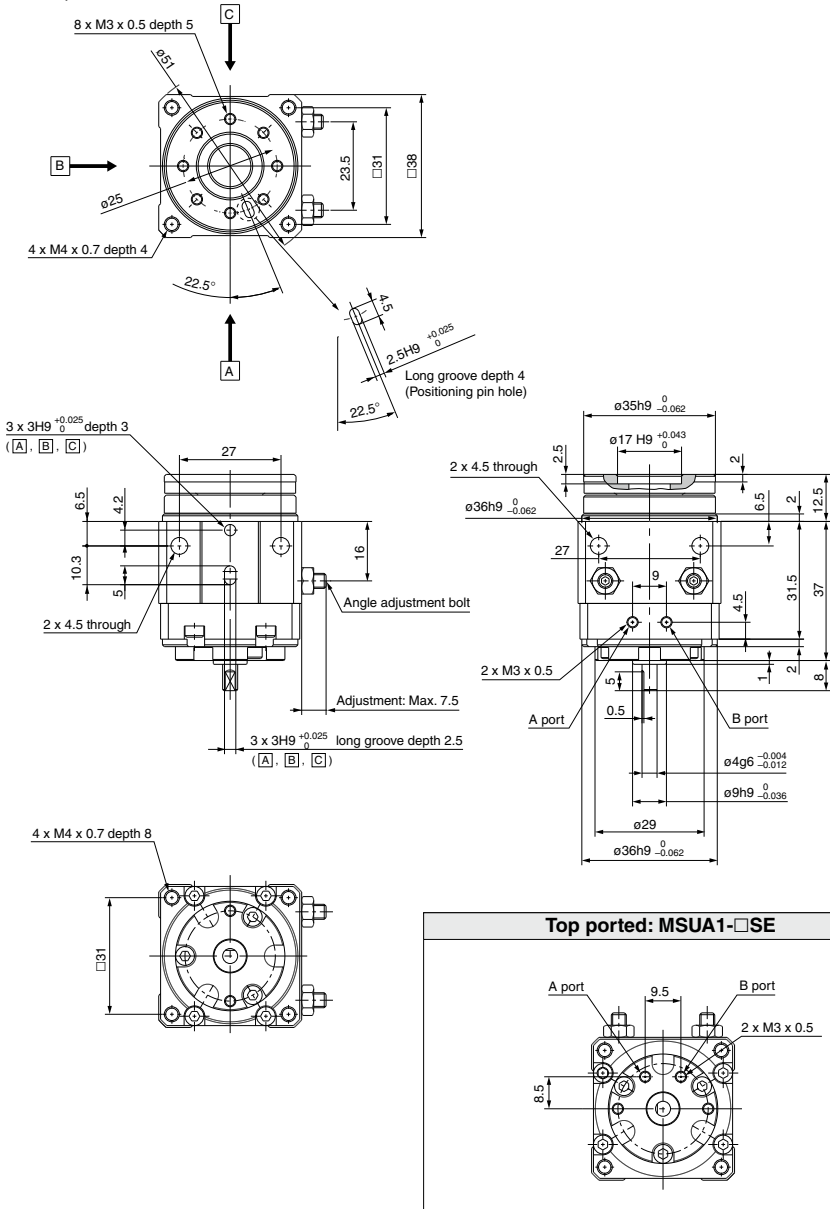
MSUA Series

Dimensions

These drawings indicate the condition when the B port is pressurized.

MSUA1

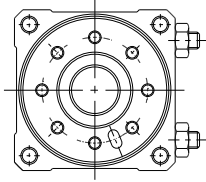
MSUA1-□S,SE



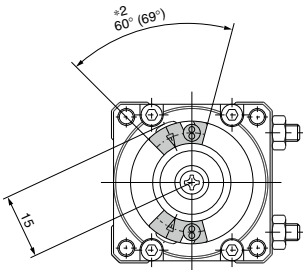
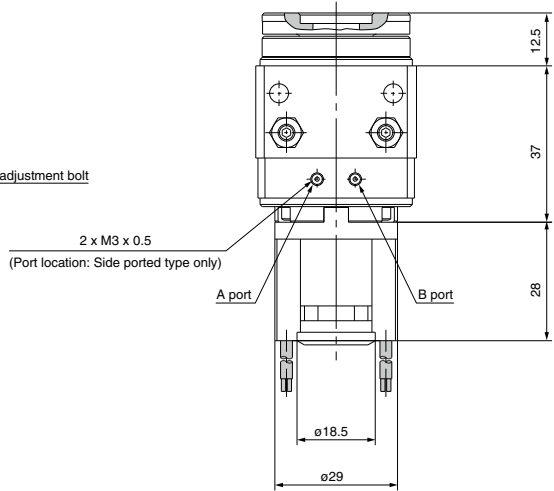
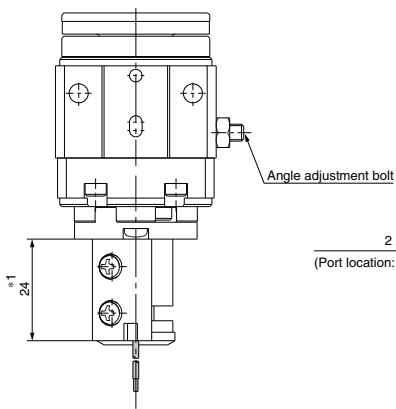
Rotary Table: High Precision Type Vane Type **MSUA Series**

These drawings indicate the condition when the B port is pressurized.

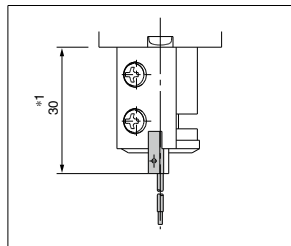
With auto switch: MDSUA1-□S



- *1) 24: When using D-90/90A/S99/S99V/S9P/S9PV/T99/T99V
- 30: When using D-97/93A
- *2) 60°: When using D-90/90A/97/93A
- 69°: When using D-S99/S99V/S9P/S9PV/T99/T99V



D-97/93A



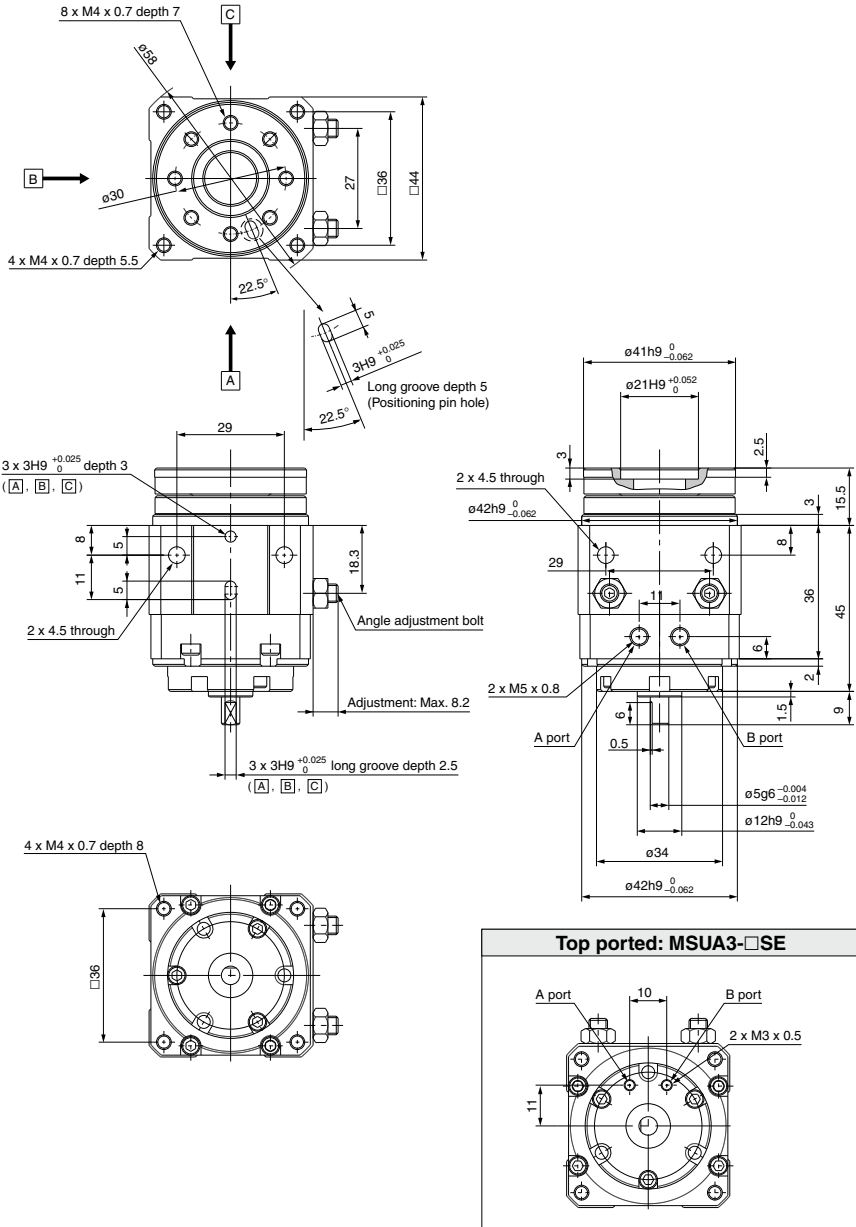
MSUA Series

Dimensions

These drawings indicate the condition when the B port is pressurized.

MSUA3

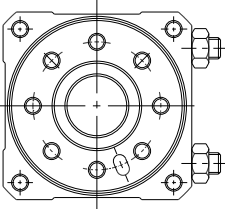
MSUA3-□S/SE



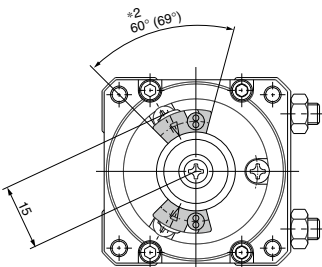
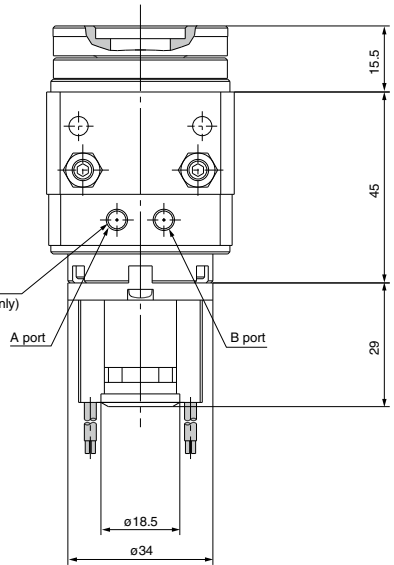
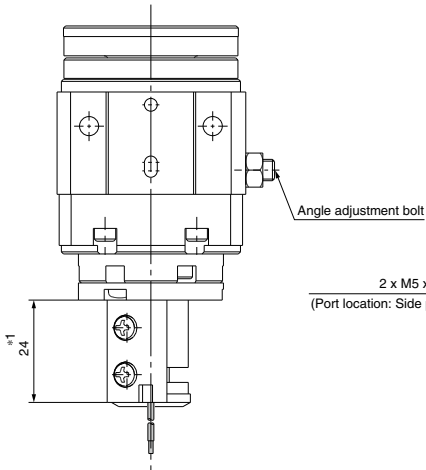
Rotary Table: High Precision Type Vane Type **MSUA Series**

These drawings indicate the condition when the B port is pressurized.

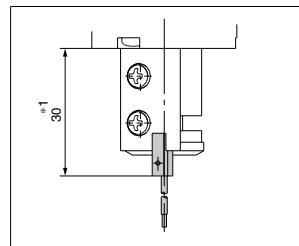
With auto switch: MDSUA3-□S



- * 1) 24: When using D-90/90A/S99/S99V/S9P/S9PV/T99/T99V
30: When using D-97/93A
- * 2) 60°: When using D-90/90A/97/93A
69°: When using D-S99/S99V/S9P/S9PV/T99/T99V



D-97/93A



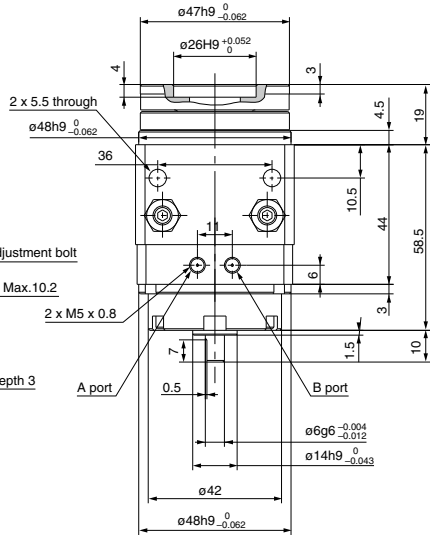
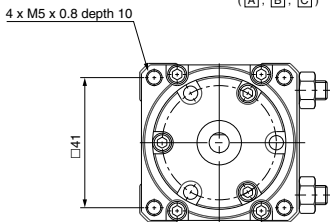
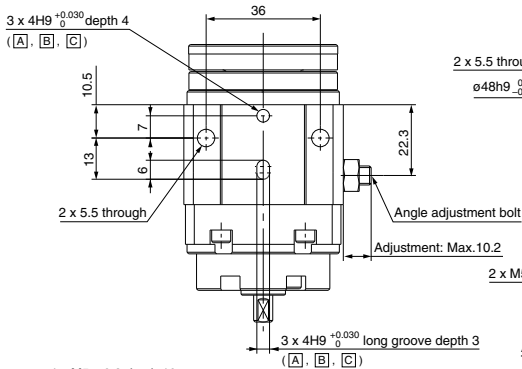
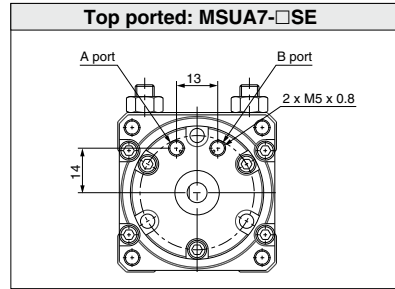
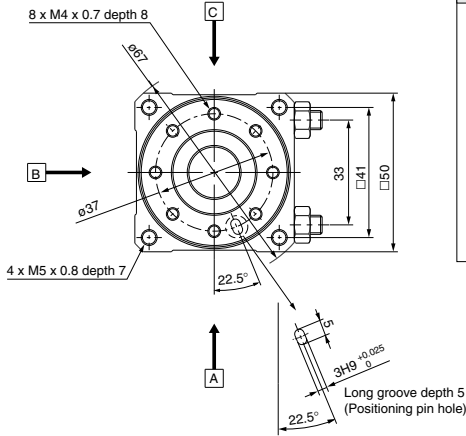
MSUA Series

Dimensions

These drawings indicate the condition when the B port is pressurized.

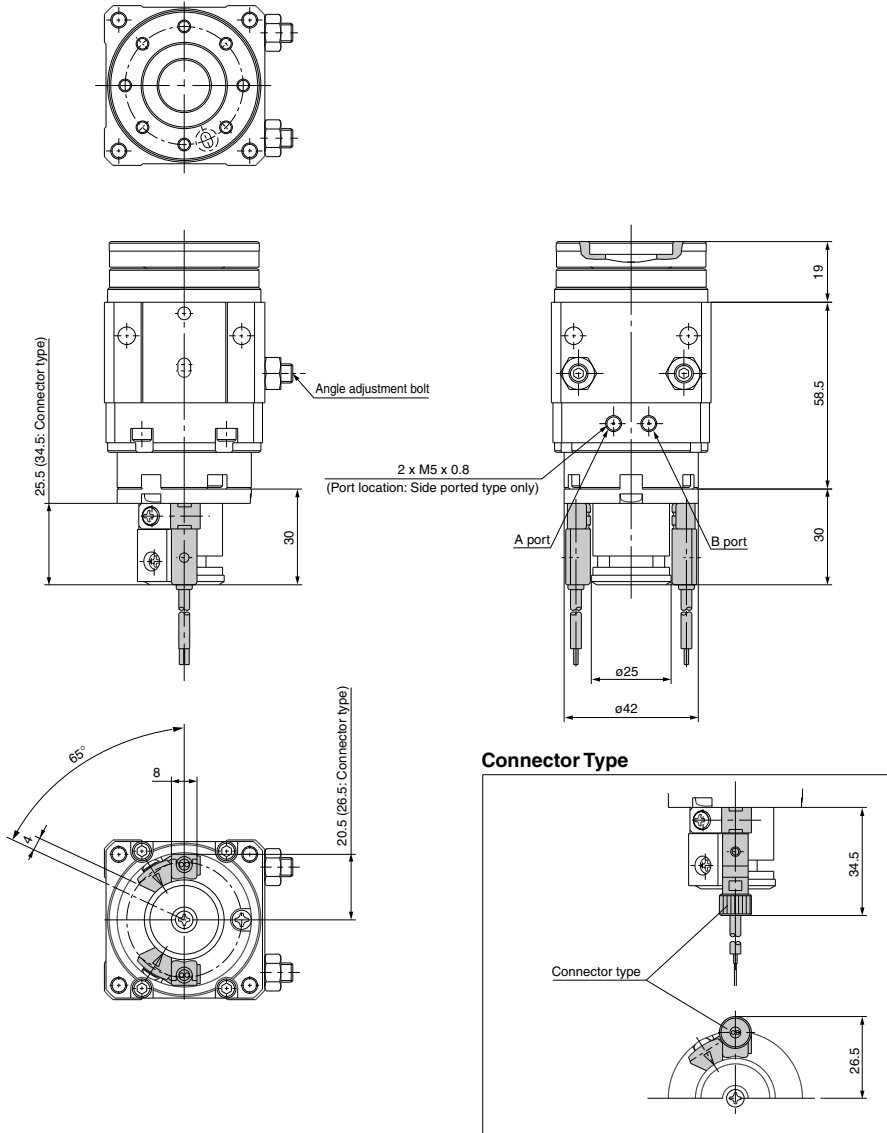
MSUA7

MSUA7-□S/SE



These drawings indicate the condition when the B port is pressurized.

With auto switch: MDSUA7-□S



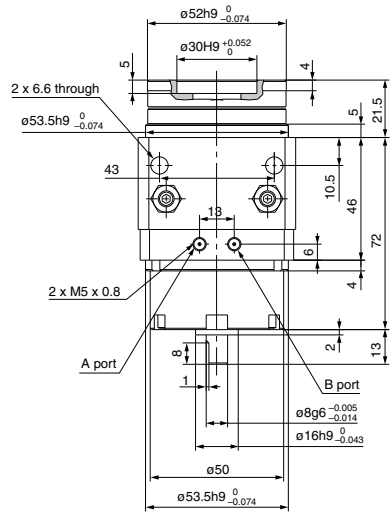
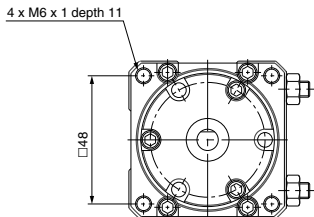
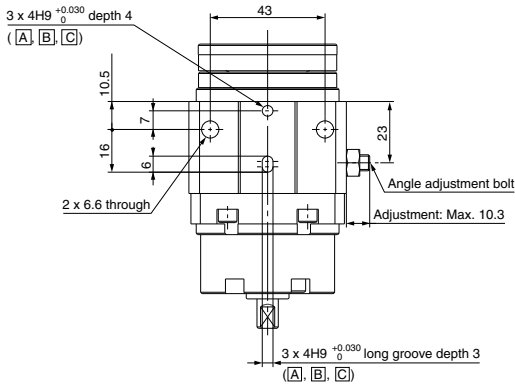
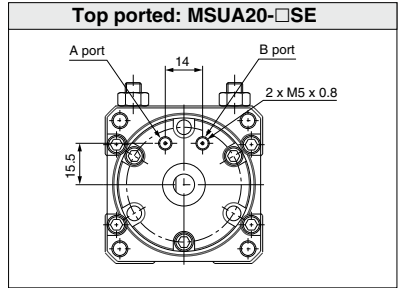
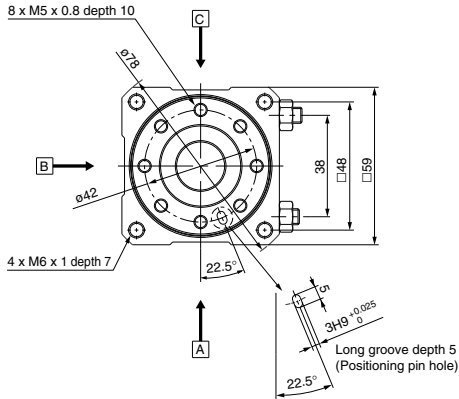
MSUA Series

Dimensions

These drawings indicate the condition when the B port is pressurized.

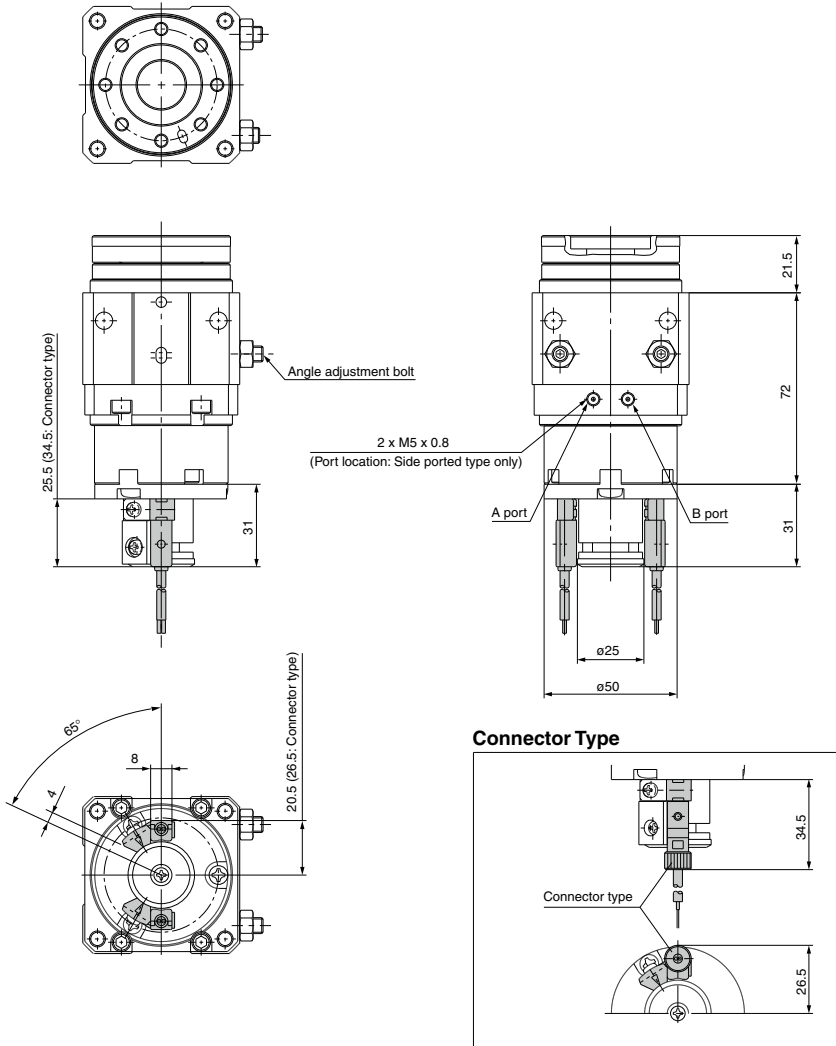
MSUA20

MSUA20-□S/SE



These drawings indicate the condition when the B port is pressurized.

With auto switch: MDSUA20-□S



Rotary Table: Basic Type Vane Type

MSUB Series

Size: 1, 3, 7, 20

How to Order

Bearing type

B	Basic type
---	------------

Connection port location

NII	Side ported
E	Axial ported

 Available with side ported only, when equipped with auto switch unit.

Free mount type

Without auto switch
MSUB 20 - 90 S

With auto switch
M D SUB 20 - 90 S - T79 L

With auto switch (Built-in magnet)

Nominal size (Torque)

1	MSUB 1
3	MSUB 3
7	MSUB 7
20	MSUB20

Rotating angle

Application	Symbol	Rotating angle
Single vane	90	90°
Single vane	180	180°
Double vane	90	90°

Rotation adjustment range
 Single vane: Both ends $\pm 5^\circ$ each
 Double vane: Both ends $\pm 2.5^\circ$ each

Vane type

S	Single vane
D	Double vane

Number of auto switches

S	1 pc. *
NII	2 pcs. **

* S (1 auto switch) is shipped with a right-hand auto switch.
 ** NII (2 auto switches) is shipped with a right-hand and a left-hand switch.

Electrical entry/Lead wire length

NII	Grommet/Lead wire: 0.5 m
L	Grommet/Lead wire: 3 m
Z	Grommet/Lead wire: 5 m
C	Connector/Lead wire: 0.5 m
CL	Connector/Lead wire: 3 m
CN	Connector/Without lead wire

* Available only with R73, R80 and T79 type connectors.
 ** Lead wire with connector part nos.
 D-LC05: Lead wire 0.5 m
 D-LC30: Lead wire 3 m
 D-LC50: Lead wire 5 m

Auto switch

NII	Without auto switch (built-in magnet)
-----	---------------------------------------

* Refer to the table below for the applicable auto switch model.

Applicable Auto Switches

Refer to pages 929 to 983 for further information on auto switches.

Applicable model	Type	Special function	Electrical entry	Indicator light	Wiring (Output)	Load voltage		Auto switch model		Lead wire type	Lead wire length (m) *				Pre-wired connector	Applicable load	
						DC	AC	Perpendicular	In-line		0.5 (NII)	3 (L)	5 (Z)	None (N)		IC circuit	Relay, PLC
MDSUB1	Solid state auto switch	—	Grommet	Yes	3-wire (NPN)	24 V	5V, 12V	—	S99V	S99	●	●	○	—	○	IC circuit	Relay, PLC
							12V	—	S99V	S9P	●	●	○	—	○	—	
MDSUB3	Reed auto switch	—	Grommet	No	2-wire	24 V	5 V, 12 V, 100 V	5 V, 12 V, 24 V, 100 V	—	90	●	●	●	—	—	IC circuit	Relay, PLC
							—	100 V	—	90A	●	●	●	—	—	—	
MDSUB7	Solid state auto switch	—	Grommet	Yes	3-wire (NPN)	24 V	5V, 12V	—	—	S79	●	●	○	—	○	IC circuit	Relay, PLC
							12V	—	—	S7P	●	●	○	—	○	—	
MDSUB20	Reed auto switch	—	Connector	Yes	2-wire	24 V	—	100 V	—	T79	●	●	○	—	—	—	Relay, PLC
							—	100 V	—	T79C	●	●	○	—	—	—	
MDSUB20	Reed auto switch	—	Grommet	No	2-wire	24 V	48V, 100V	100 V	—	R80	●	●	○	—	—	IC circuit	Relay, PLC
							—	24 V or less	—	R80C	●	●	○	—	—	—	

* Lead wire length symbols: 0.5 m NII (Example) R73C
 3 m L (Example) R73CL
 5 m Z (Example) R73CZ
 None N (Example) R73CN

* Auto switches marked with "○" are made-to-order specifications.

* Refer to pages 970 to 971 for detailed solid state auto switches with pre-wired connectors.

Order example: MSUB20 single vane type (connection port side location selected)

- Standard type (Without auto switches), Rotation 90°, side port location MSUB20-90S
- With auto switch unit (Without auto switches), Rotation 180°, Side port location MDSUB20-180S
- With auto switch unit + Auto switch R73, Rotation 180°, Side port location MDSUB20-180S-R73

Specifications

Model ^{*3}		MSUB1		MSUB3		MSUB7		MSUB20	
Vane type	Single vane	Double vane	Single vane	Double vane	Single vane	Double vane	Single vane	Double vane	
	90° ± 10° 180° ± 10° 90° ± 5°		90° ± 10° 180° ± 10° 90° ± 5°		90° ± 10° 180° ± 10° 90° ± 5°		90° ± 10° 180° ± 10° 90° ± 5°		
Rotating angle ^{*1}		90° ± 10° 180° ± 10° 90° ± 5°							
Fluid		Air (Non-lube)							
Proof pressure (MPa)		1.05				1.5			
Ambient and fluid temperature		5 to 60°C							
Operating pressure range (MPa)		0.2 to 0.7		0.15 to 0.7		0.15 to 1.0			
Rotation time adjustment range (s/90°)		0.07 to 0.3 (0.5 MPa)							
Shaft load	Allowable radial load	20 N		40 N		50 N		60 N	
	Allowable thrust load ^{*2}	15 N		30 N		60 N		80 N	
	Allowable moment	0.3 N·m		0.7 N·m		0.9 N·m		2.9 N·m	
Bearing		Bearing							
Port location		Side ported or Top ported							
Port size	Side ported	M3 x 0.5				M5 x 0.8			
	Top ported	M3 x 0.5				M5 x 0.8			

*1 Single vane 90° can be adjusted to 90° ± 10° (both ends of rotation ± 5° each)
 Single vane 180° can be adjusted to 180° ± 10° (both ends of rotation ± 5° each)
 Double vane 90° type can be adjusted to 90° ± 5° (both ends of rotation ± 2.5° each)
 • Rotation angles other than 90° and 180° (single vane) are available by special order.
 *2 The allowable thrust load is directional.
 Refer to the allowable load table below for details.
 (Note) Refer to page 45 for allowable kinetic energy.

Rotary table	Free-mount rotary actuator
MSUB 1	CRBU2W10
MSUB 3	CRBU2W15
MSUB 7	CRBU2W20
MSUB20	CRBU2W30

Symbol



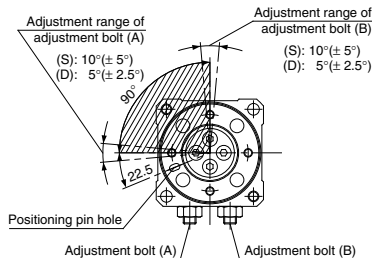
Moisture Control Tube IDK Series



When operating an actuator with a small diameter and a short stroke at a high frequency, the dew condensation (water droplet) may occur inside the piping depending on the conditions. Simply connecting the moisture control tube to the actuator will prevent dew condensation from occurring. For details, refer to the [Web Catalog](#).

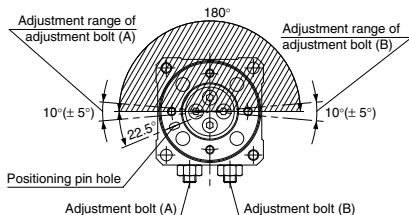
Table Rotation Range

Angle adjustment is possible as shown in the drawings below using adjustment bolts (A) and (B).



For 90° rotation

Single vane (S): 80° to 100° adjustable
Double vane (D): 85° to 95° adjustable



For 180° rotation

Single vane (S): 170° to 190° adjustable
--

* The double vane type is not available with 180° rotation.

Weight

Size	Rotation angle	Basic weight		Auto switch unit ^(Note)
		Single vane	Double vane	
1	90°	145	150	15
	180°	140	—	
3	90°	230	240	20
	180°	225	—	
7	90°	360	375	28
	180°	355	—	
20	90°	510	580	38
	180°	505	—	

(Note) Values above do not include auto switch weight.

Allowable Load

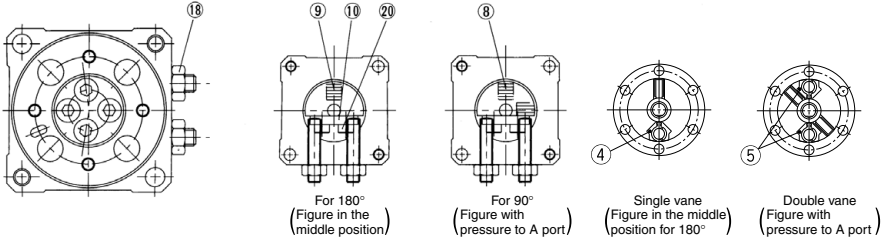
Do not permit the load and moment applied to the table to exceed the allowable values shown in the table below. (Operation above the allowable values can cause adverse effects on service life, such as play in the table and loss of accuracy.)

Size	Allowable radial load (N)	Allowable thrust load (N)		Allowable moment (N·m)
		(A)	(B)	
1	20	15	10	0.3
3	40	30	15	0.7
7	50	60	30	0.9
20	60	80	40	2.9

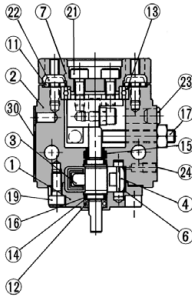
MSUB Series

Construction

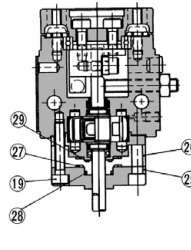
Internal Construction of Rotary Table



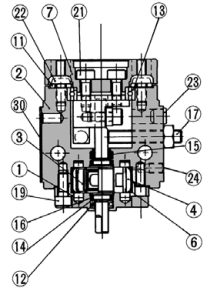
Single vane: Size 1, 3, 7, 20



Double vane: Size 1



Double vane: Size 3, 7, 20



Component Parts

No.	Description	Material	Note
1	Body (A)	Aluminum alloy	Anodized
2	Body (B)	Aluminum alloy	Anodized
3	Vane shaft	Stainless steel (MSUB20: Carbon steel)	Single vane
		Carbon steel	Double vane
4	Stopper	Resin	Single vane
5	Stopper	Stainless steel	Double vane
6	Stopper seal	NBR	
7	Table	Aluminum alloy	Anodized, Serigraph
8	Stopper lever (D)	Carbon steel	Heat treated, Electroless nickel plated
9	Stopper lever (S)	Carbon steel	Heat treated, Electroless nickel plated
10	Lever retainer	Carbon steel	Zync Chromated
11	Ring collar	Carbon steel	Zync Chromated
12	Bearing	High carbon chrome bearing steel	
13	Bearing	High carbon chrome bearing steel	
14	Back-up ring	Stainless steel	
15	Scraper	NBR	
16	O-ring	NBR	
17	Adjustment bolt	Carbon steel	Heat treated
18	Hexagon nut	Carbon steel	
19	Hexagon socket head cap screw		
20	Hexagon socket head cap screw		
21	Hexagon socket head cap screw		
22	Button bolt		
23	Rubber cap	NBR	
24	Hexagon socket head set screw		SE type only
25	Cover	Aluminum alloy	
26	Plate	Resin	
27	Gasket	NBR	
28	O-ring	NBR	
29	O-ring	NBR	
30	Label		

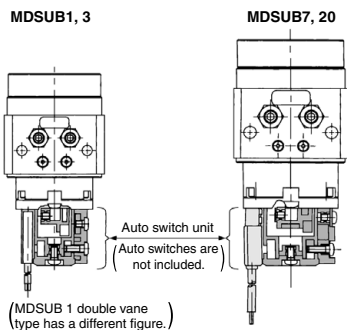
* The plug 24 is used only when the connection port is type SE.

* Individual part cannot be shipped.

Construction

Internal construction with auto switch

Units are common for both single and double vane.



* Refer to page 116 for the component parts.

* The auto switch unit can be retrofitted on a rotary actuator.
Auto switches should be ordered separately since they are not included.

Model	Auto switch unit part no.
M(D)SUB 1	P211070-1
M(D)SUB 3	P211090-1
M(D)SUB 7	P211060-1
M(D)SUB20	P211080-1

Auto switch block unit			
MDSUB1/3		MDSUB7/20	
For reed auto switch		For solid state auto switch	Combination of reed and solid state auto switches
Right-handed	Left-handed	Combination left & right-handed	Combination left & right-handed
Part no.: P211070-8	Part no.: P211070-9	Part no.: P211070-13	Part no.: P211060-8

* The auto switch block unit is included in the auto switch unit.

* Auto switch block unit shows the necessary assembly for mounting 1 piece of auto switch to the auto switch unit.

* Individual part cannot be shipped.

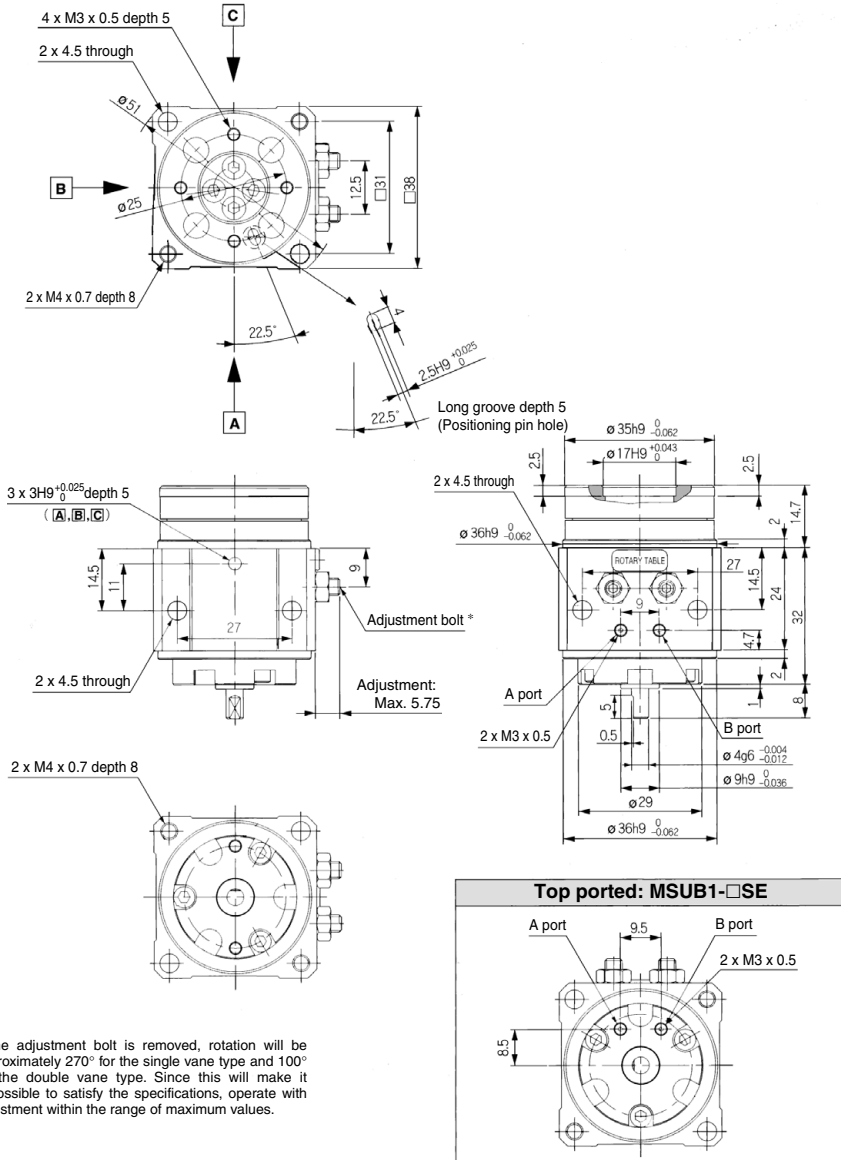
MSUB Series

Dimensions

These drawings indicate the condition when the B port is pressurized.

MSUB1 (Single vane)

MSUB1-□S/SE



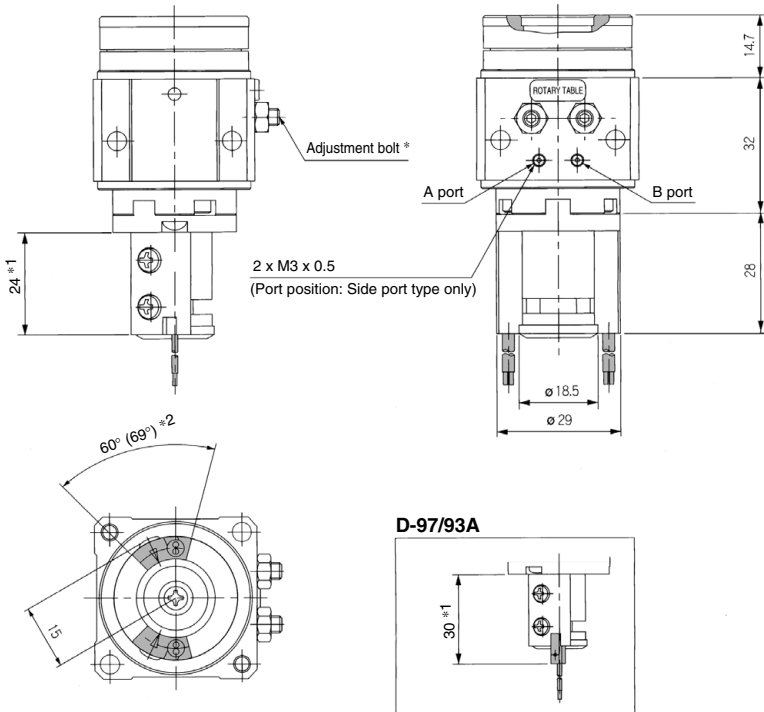
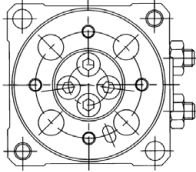
* If the adjustment bolt is removed, rotation will be approximately 270° for the single vane type and 100° for the double vane type. Since this will make it impossible to satisfy the specifications, operate with adjustment within the range of maximum values.

Rotary Table: Basic Type Vane Type **MSUB Series**

These drawings indicate the condition when the B port is pressurized.

With auto switch: MDSUB1-□S

- *1) 24: When using D-90/90A/S99(V)/T99(V)/S9P(V)
- 30: When using D-97/93A
- *2) 60°: When using D-90/90A/97/93A
- 69°: When using D-S99(V)/T99(V)/S9P(V)



* If the adjustment bolt is removed, rotation will be approximately 270° for the single vane type and 100° for the double vane type. Since this will make it impossible to satisfy the specifications, operate with adjustment within the range of maximum values.

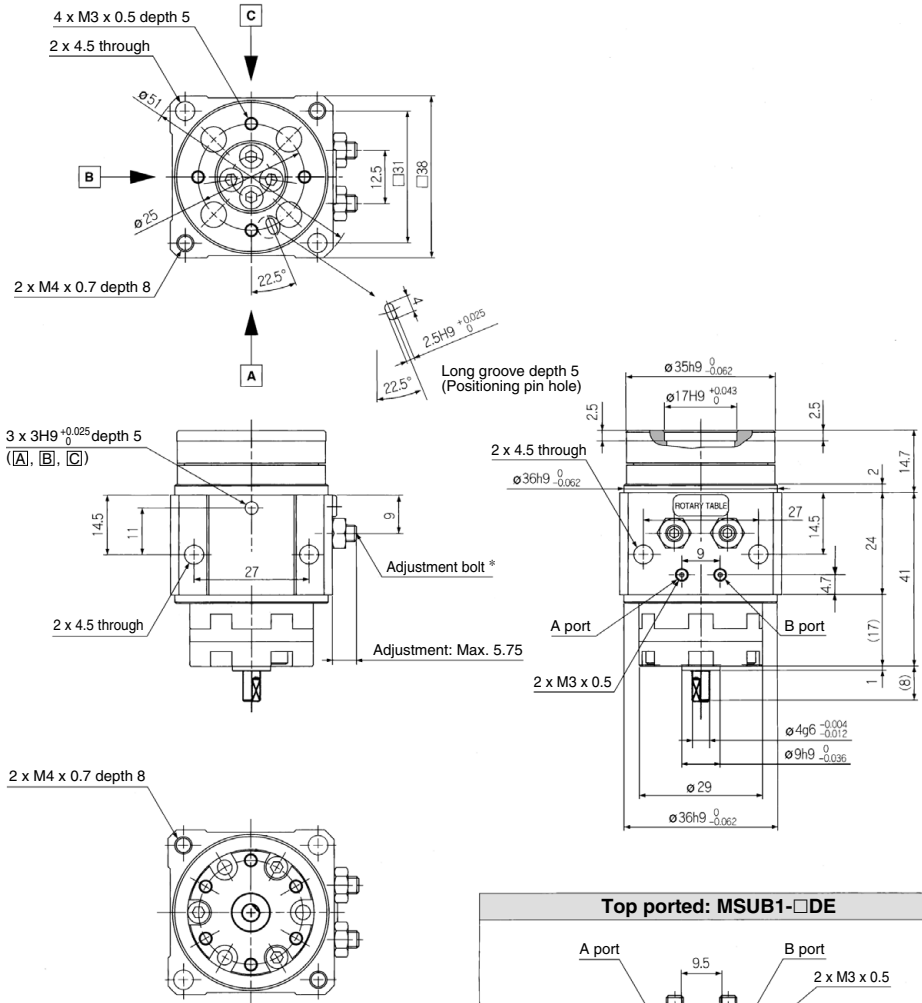
MSUB Series

Dimensions

These drawings indicate the condition when the B port is pressurized.

MSUB1 (Double vane)

MSUB1-□D



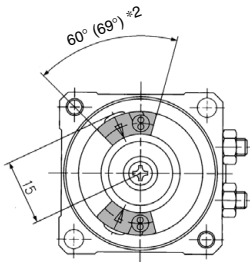
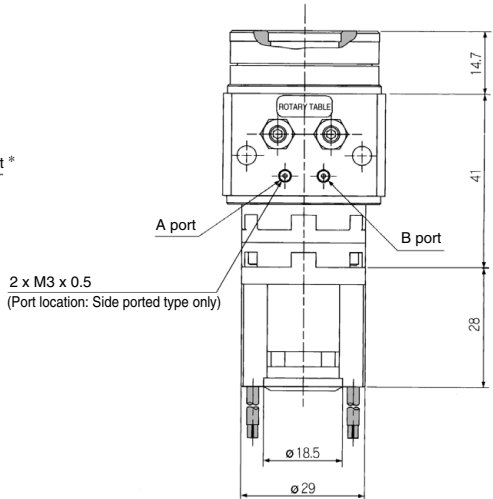
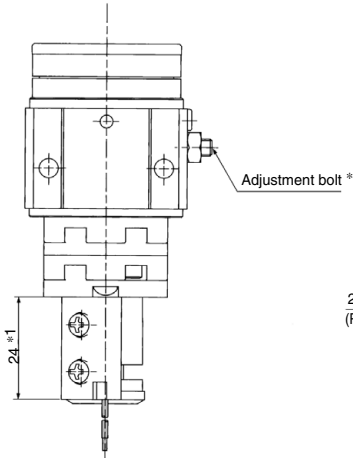
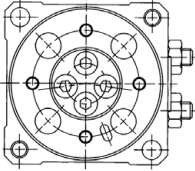
* If the adjustment bolt is removed, rotation will be approximately 270° for the single vane type and 100° for the double vane type. Since this will make it impossible to satisfy the specifications, operate with adjustment within the range of maximum values.

Rotary Table: Basic Type Vane Type **MSUB Series**

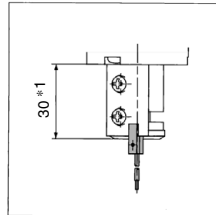
These drawings indicate the condition when the B port is pressurized.

With auto switch: MDSUB1-□D

- *1) 24: When using D-90/90A/S99(V)/T99(V)/S9P(V)
30: When using D-97/93A
- *2) 60°: When using D-90/90A/97/93A
69°: When using D-S99(V)/T99(V)/S9P(V)



D-97/93A



* If the adjustment bolt is removed, rotation will be approximately 270° for the single vane type and 100° for the double vane type. Since this will make it impossible to satisfy the specifications, operate with adjustment within the range of maximum values.

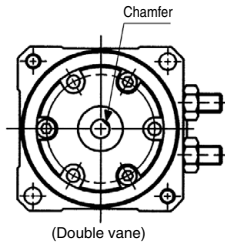
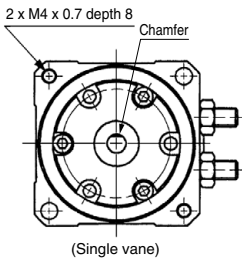
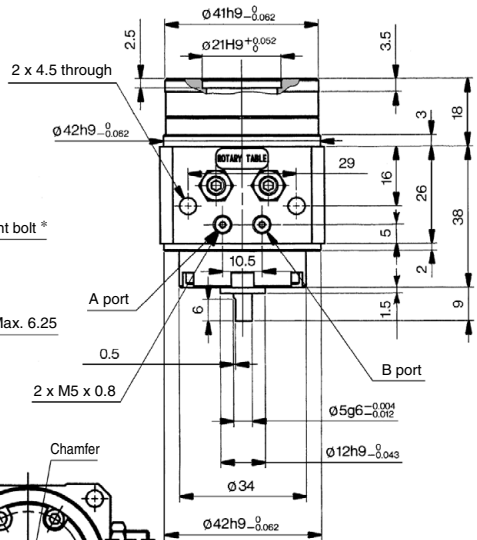
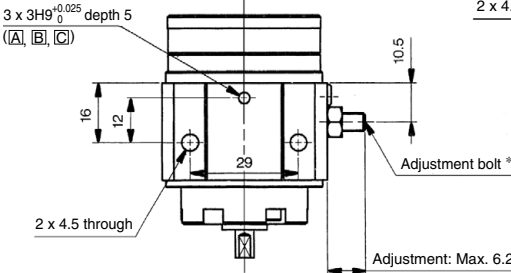
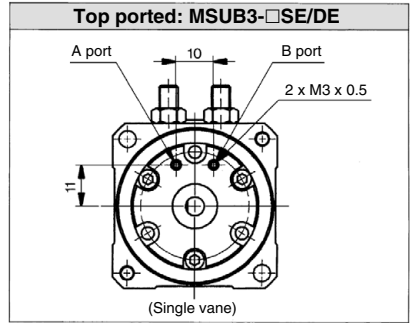
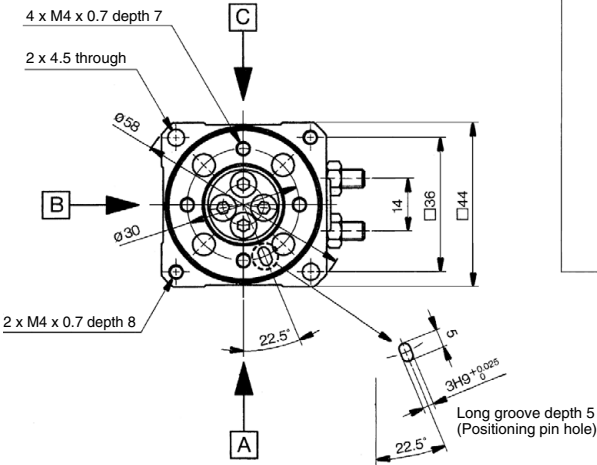
MSUB Series

Dimensions

These drawings indicate the condition when the B port is pressurized.

MSUB3 (Single vane/Double vane)

MSUB3-□S/D



The outside drawings show the single vane type, but only the position of the chamfered sections shown in the above drawings differs from single and double vane.

* If the adjustment bolt is removed, rotation will be approximately 270° for the single vane type and 100° for the double vane type. Since this will make it impossible to satisfy the specifications, operate with adjustment within the range of maximum values.

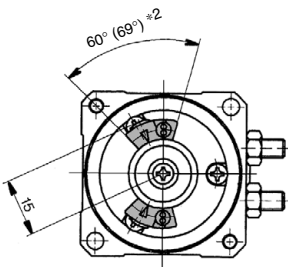
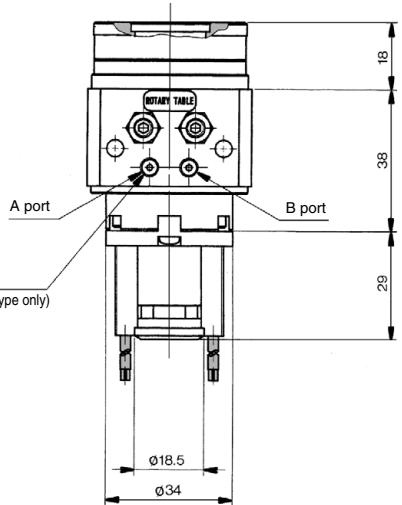
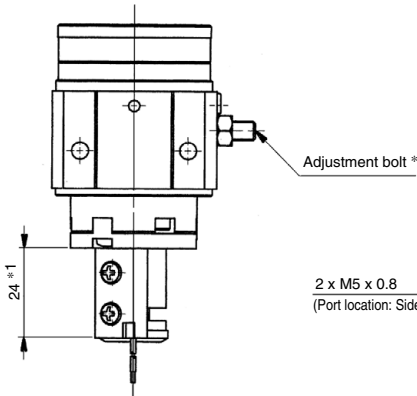
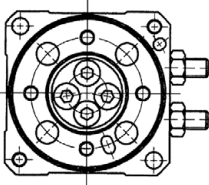
Rotary Table: Basic Type Vane Type **MSUB Series**

These drawings indicate the condition when the B port is pressurized.

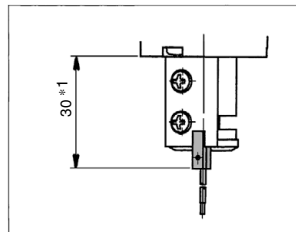
With auto switch: MDSUB3

- *1) 24°: When using D-90/90A/S99(V)/T99(V)/S9P(V)
30°: When using D-97/93A
- *2) 60°: When using D-90/90A/97/93A
69°: When using D-S99(V)/T99(V)/S9P(V)

* If the adjustment bolt is removed, rotation will be approximately 270° for the single vane type and 100° for the double vane type. Since this will make it impossible to satisfy the specifications, operate with adjustment within the range of maximum values.



D-97/93A



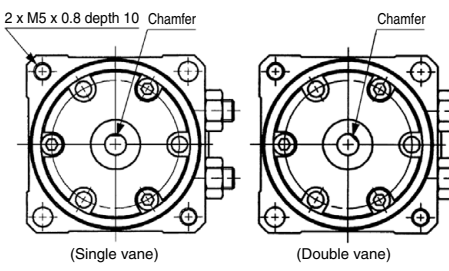
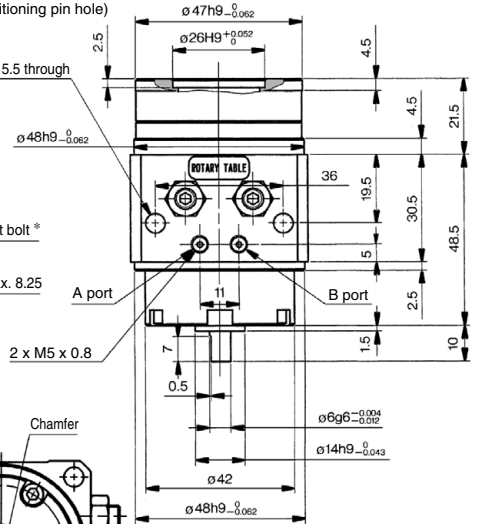
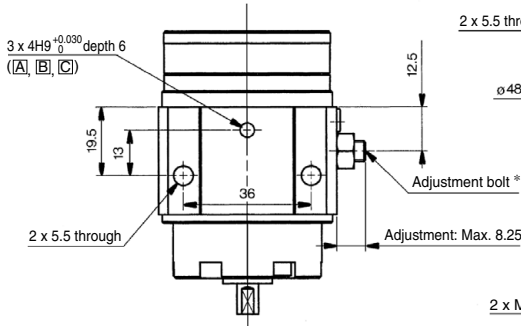
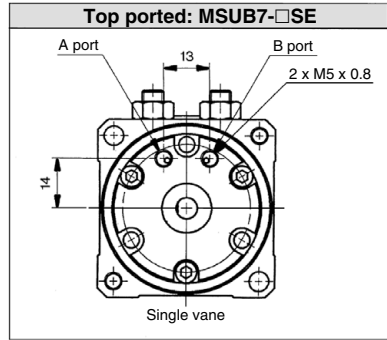
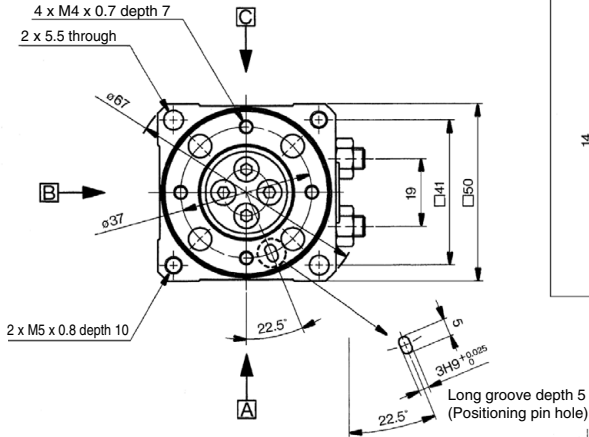
MSUB Series

Dimensions

These drawings indicate the condition when the B port is pressurized.

MSUB7 (Single vane/Double vane)

MSUB7-□S/D



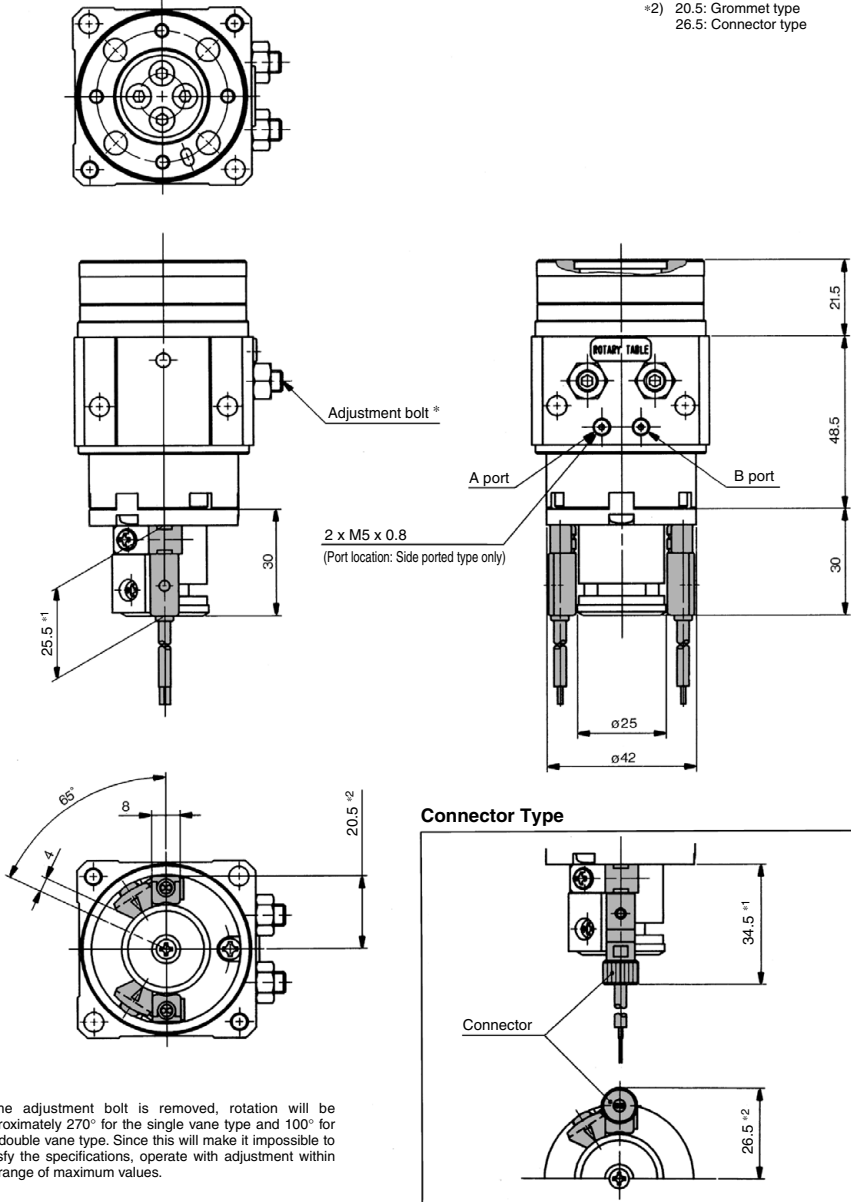
The outside drawings show the single vane type, but only the position of the chamfered sections shown in the above drawings differs from single and double vane.

* If the adjustment bolt is removed, rotation will be approximately 270° for the single vane type and 100° for the double vane type. Since this will make it impossible to satisfy the specifications, operate with adjustment within the range of maximum values.

These drawings indicate the condition when the B port is pressurized.

With auto switch: MDSUB7

- *1) 25.5: Grommet type
34.5: Connector type
- *2) 20.5: Grommet type
26.5: Connector type



* If the adjustment bolt is removed, rotation will be approximately 270° for the single vane type and 100° for the double vane type. Since this will make it impossible to satisfy the specifications, operate with adjustment within the range of maximum values.

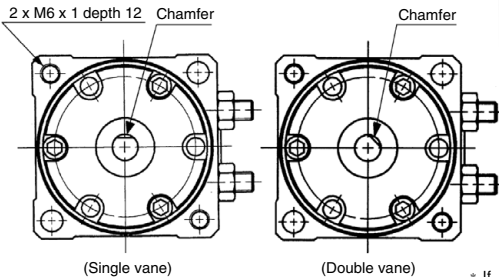
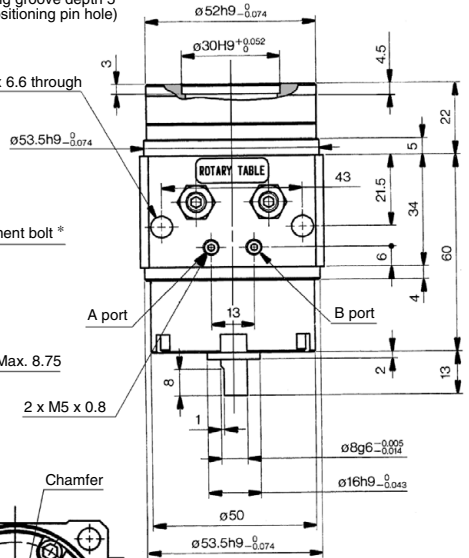
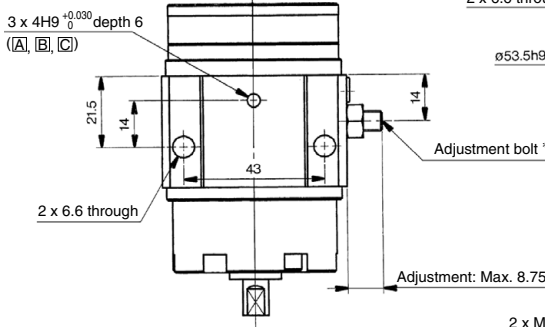
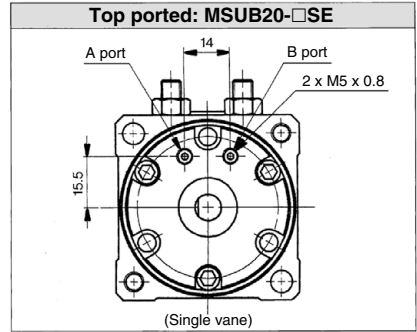
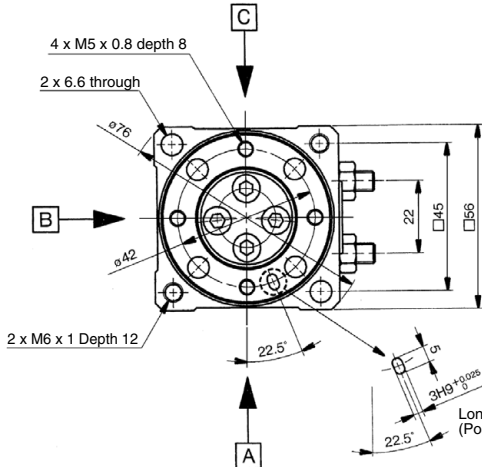
MSUB Series

Dimensions

These drawings indicate the condition when the B port is pressurized.

MSUB20 (Single vane/Double vane)

MSUB20-□S/D



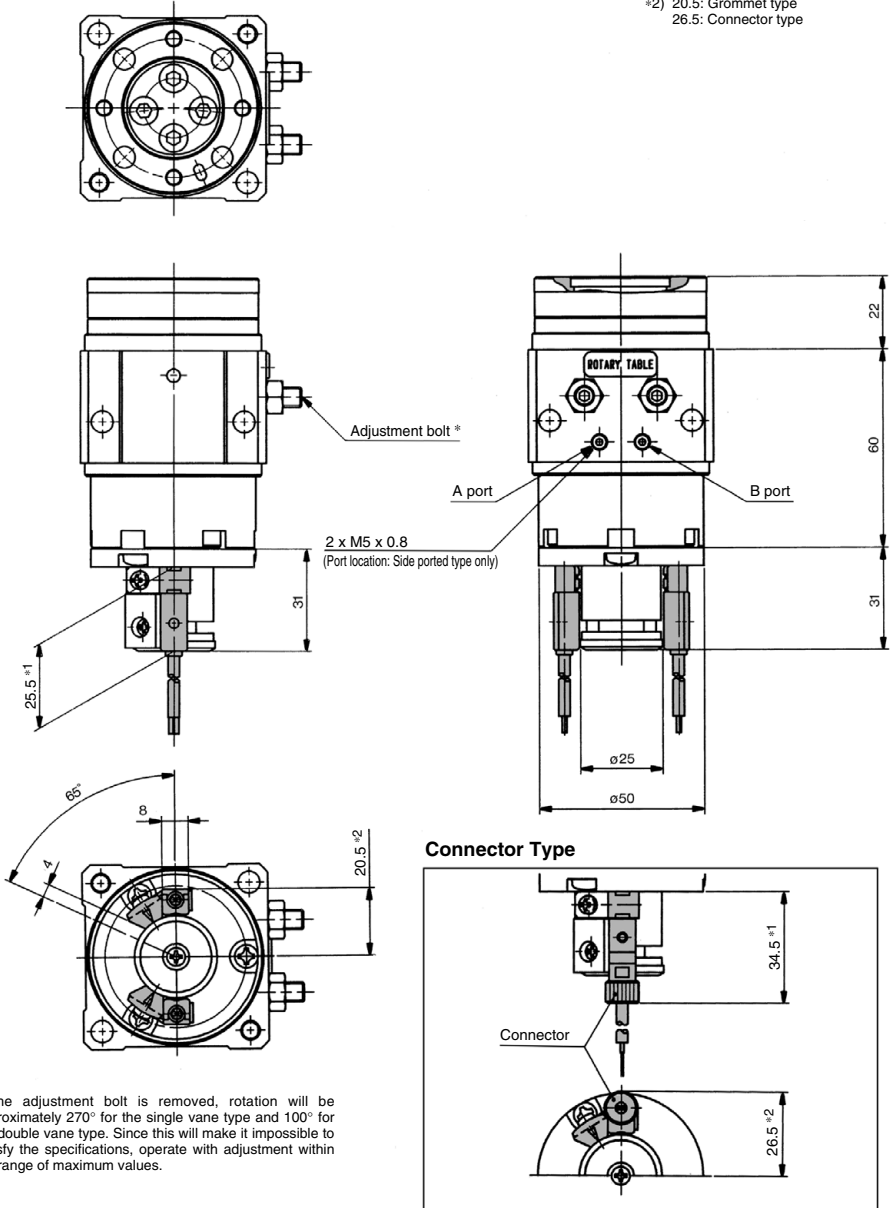
The outside drawings show the single vane type, but only the position of the chamfered sections shown in the above drawings differs from single and double vane.

* If the adjustment bolt is removed, rotation will be approximately 270° for the single vane type and 100° for the double vane type. Since this will make it impossible to satisfy the specifications, operate with adjustment within the range of maximum values.

These drawings indicate the condition when the B port is pressurized.

With auto switch: MDSUB20

- *1) 25.5: Grommet type
34.5: Connector type
- *2) 20.5: Grommet type
26.5: Connector type



* If the adjustment bolt is removed, rotation will be approximately 270° for the single vane type and 100° for the double vane type. Since this will make it impossible to satisfy the specifications, operate with adjustment within the range of maximum values.

Auto Switch Mounting

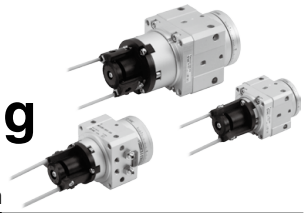
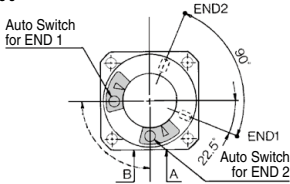


Table Positioning Pin Hole Rotation Range and Auto Switch Mounting Position

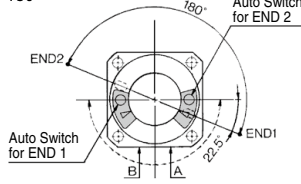
MSU□1/3

Single vane type

90°

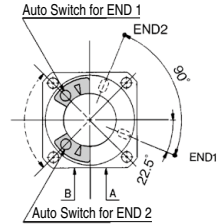


180°



Double vane type (MSUB only)

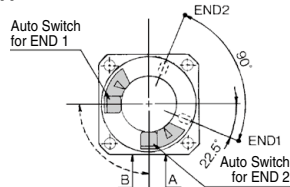
90°



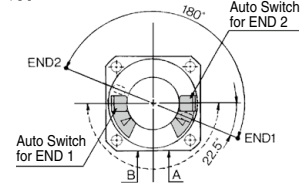
MSU□7/20

Single vane type

90°

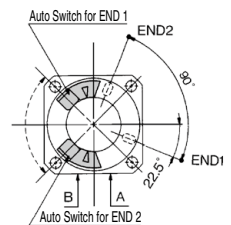


180°



Double vane type (MSUB only)

90°



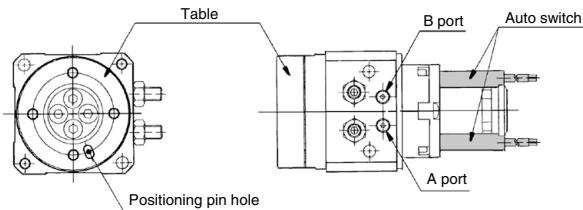
- In drawings that show the rotation range, the arrows on the solid line 90° (180°) indicate the rotation range of the positioning pin holes on the table surface. When the pin hole is at END1, the END1 auto switch operates, and when the pin hole is at END2, the END2 auto switch operates.
- The arrows on the broken line indicate the rotation range of the internal magnet. The rotation range of each auto switch can be reduced by moving the END1 auto switch clockwise and the END2 auto switch counterclockwise.

Auto Switch Operating Angle and Hysteresis Angle

Model	Operating angle	Hysteresis angle
MDSU□1, 3	110°	10°
MDSU□7, 20	90°	

Note) Since the above values are only provided as a guideline, they are not guaranteed. In the actual setting, adjust them after confirming the auto switch performance.

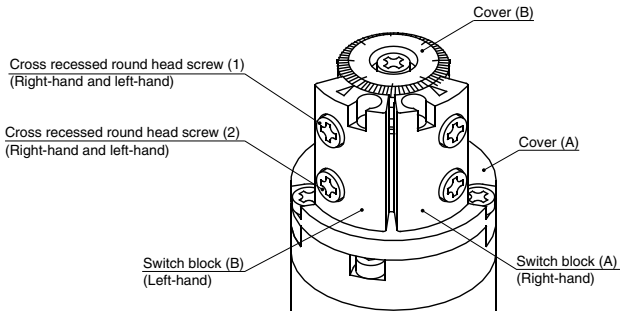
Refer to page 162 for operating angle of auto switch and angle of hysteresis and the procedure for moving the auto switch detection position.



MSU□1·3Auto Switch Mounting

External view and descriptions of auto switch unit

The following shows the external view and typical descriptions of the auto switch.



Solid state auto switch

<Applicable auto switch>

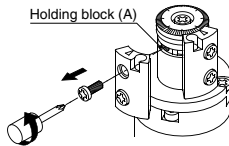
3-wire..... D-S99(V)□/S9P(V)□

2-wire..... D-T99(V)□

* For details about shape and specifications of the auto switch, refer to SMC's catalog.

① Switch block detaching

Remove the cross recessed round head screw (1) to detach the switch block.



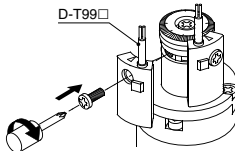
② Solid state auto switch mounting

Secure the solid state auto switch with the cross recessed round head screw (1) and holding block (A).

Proper tightening torque:
0.4 to 0.6(N·m)

* Since the holding block (A) moves inside the groove, move it to the mounting position beforehand.

* Use the auto switch after the operating position has been adjusted with the cross recessed round head screw (1). For details about how to adjust the operating position, refer to SMC's catalog.



Reed auto switch

<Applicable auto switch>

D-97/93A(With indicator light)

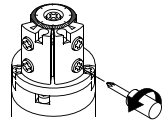
D-90/90A(Without indicator light)

* For details about shape and specifications of the auto switch, refer to SMC's catalog.

① Preparations

Loosen the cross recessed round head screw (2). (About 2 to 3 turns)

* This screw has been secured temporarily at shipment.

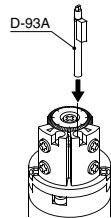


② Reed auto switch mounting

Insert the reed auto switch until it is in contact with the hole in the switch block.

* Insert the D-97/93A in the direction shown in the figure on the right.

* Since the D-90/90A is a round type, it has no directionality.

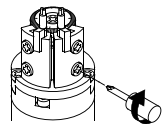


③ Reed auto switch securing

Tighten the cross recessed round head screw (2) to secure the reed auto switch.

Proper tightening torque:
0.4 to 0.6(N·m)

* Use the auto switch after the operating position has been adjusted with the cross recessed round head screw (1). For details about how to adjust the operating position, refer to SMC's catalog.





MSU Series Specific Product Precautions

Be sure to read this before handling the products.
Refer to page 7 for safety instructions, pages 8 to 13 for rotary actuator precautions, and pages 18 to 22 for auto switch precautions.

Selection

⚠ Warning

1. Ensure the load energy within the product's allowable energy value.

Operation with a load kinetic energy exceeding the allowable value can cause human injury and/or damage to equipment or machinery. (Refer to model section procedures in this catalog.)

⚠ Caution

1. When there are load fluctuations, allow a sufficient margin in the actuator torque.

In case of horizontal mounting (operation with product facing sideways), malfunction may occur due to load fluctuations.

Mounting

⚠ Caution

1. Adjust the rotation angle within the prescribed ranges.

Single vane type: (90°±10°, 180°±10°) (±5° at end of rotation)

Double vane type: (90°±10°) (±2.5° at end of rotation)

* MSUB series only.

Adjustment outside the prescribed ranges may cause malfunction of the product or failure of switches to operate.

2. Adjust the rotation time within the prescribed values using a speed controller, etc. (0.07 to 0.3 s/90°)

Adjustment to a speed slower than 0.3 s/90° can cause sticking and slipping or stopping of operation.

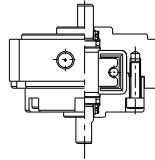
Maintenance

⚠ Caution

<High precision type/MSUA>

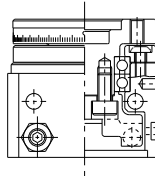
In case a rotary unit and table unit are required for maintenance, order with the unit part numbers shown below.

Rotary unit



Model	Unit part no.
MSUA 1-□S	P402070-2A
MSUA 1-□SE	P402070-2B
MSUA 3-□S	P402090-2A
MSUA 3-□SE	P402090-2B
MSUA 7-□S	P402060-2A
MSUA 7-□SE	P402060-2B
MSUA20-□S	P402080-2A
MSUA20-□SE	P402080-2B

Table unit



Model	Unit part no.
MSUA 1- 90□	P402070-3A
MSUA 1-180□	P402070-3B
MSUA 3- 90□	P402090-3A
MSUA 3-180□	P402090-3B
MSUA 7- 90□	P402060-3A
MSUA 7-180□	P402060-3B
MSUA20- 90□	P402080-3A
MSUA20-180□	P402080-3B

Note 1) Note that the rotation angle should not be changed even though the rotary unit has been changed. For maintenance, order units with a part number suitable for the model being used.

Note 2) Due to the integral construction of the MSUB series, the rotary and table units cannot be ordered separately.