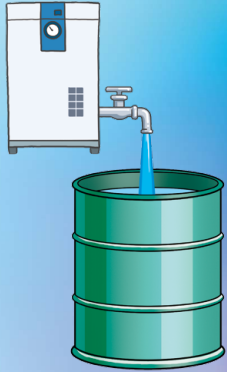


Refrigerated Air Dryers

Protect Pneumatic Equipment from Moisture!

An air dryer removes the vapor from the moist compressed air delivered by the compressor, and prevents it from causing the pneumatic equipment to fail.



This is how much moisture is actually contained in compressed air!

113 L = approx. 63 1.8 L bottles



<Conditions>

- Air compressor output: 75 kW
- Air at 30°C and a relative humidity of 80% compressed to 0.7 MPa
- 8 hours of operation

Standard inlet air temperature type *IDF□E/F/D Series*

- Applicable air compressor: 0.75 to 15(kW)



IDF□E

Refer to the [Web Catalog](#) for dryer models compliant with international standards (CE/UKCA marked products and UL standards compliant products).

- Applicable air compressor: 100 to 370(kW)
- Tolerant of high temperature environment!
- Energy saving design



Air-cooled type

IDF□F



Water-cooled type

IDF□D

High inlet air temperature type *IDU□E Series*

- Applicable air compressor: 2.2 to 75(kW)
- Energy saving design



IDU□E

IDF/IDU Series



CAT.ES30-8K

The importance of dryers

Air dryers remove the vapor from the moist compressed air delivered by the compressor and prevent it from causing the pneumatic equipment to fail.

Effects of moisture on equipment

- Malfunctioning of valves and actuators caused by dripping grease
- Generation of water droplets
- Decomposition of auto drain caused by rusting inside pipes

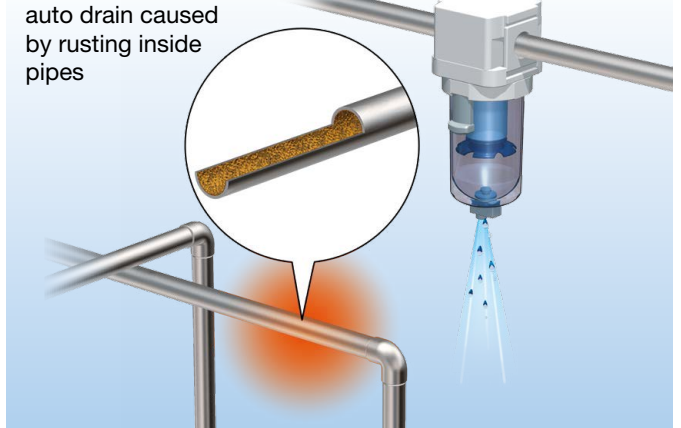
Malfunction of air blowers/air drivers

Generation of water droplets



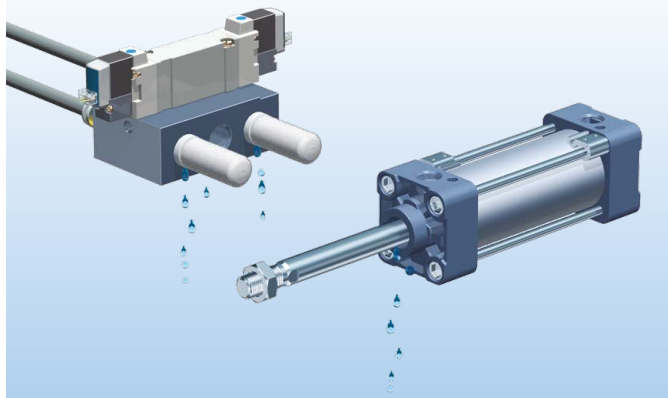
Generation of drain and outflow to the secondary side

Decomposition of auto drain caused by rusting inside pipes

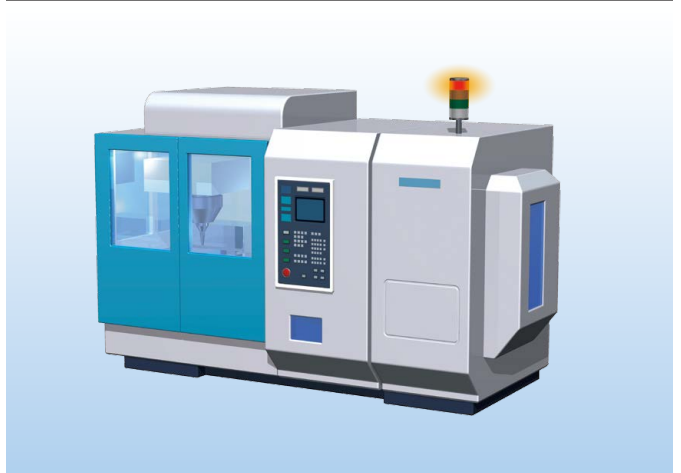


Component failure and frequent replacement

Malfunctioning of valves and actuators caused by dripping grease



Stopping of machines



Standard inlet air temperature type *IDF□E/F/D Series*

- Tolerant of high temperature environment!**

Top of its class in the industry for the large air-cooled type
Ambient temperature 45°C/Inlet air temperature 65°C (IDF60 to 90)

- Air flow capacity **increased by max. 41%** compared with the existing model (IDF60 to 90)

Model	Rated inlet condition	Applicable air compressor [kW]	Port size	Page
IDF1E	35°C 0.7 MPa	0.75	Rc3/8	9
IDF2E		1.5		
IDF3E		2.2		
IDF4E		3.7	Rc1/2	
IDF6E		5.5	Rc3/4	
IDF8E		7.5		
IDF11E		11		
IDF15E1		15		
IDF60		22	R1	
IDF160 or IDF70		37	R1 or R1 1/2	
IDF80	40°C 0.7 MPa	55	R2	19
IDF80 or IDF90		75		



Catalog

Refer to the **Web Catalog** for dryer models compliant with international standards (CE/UKCA marked products and UL standards compliant products).



IDF□E

IDF□F



Air-cooled type

Water-cooled type

IDF□F

IDF□D

- Large size series**

- Tolerant of high temperature environment!**

Top of its class in the industry for the large air-cooled type
Ambient temperature 45°C/Inlet air temperature 60°C (IDF100F to 150F)

- Energy saving design**

Exhaust heat amount is reduced 25% to suppress the ambient temperature rise (air-cooled type) and reduce the facility water amount (water-cooled type) (IDF100F to 150F).

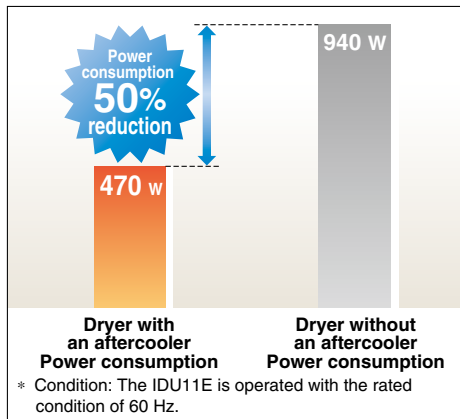
Model	Rated inlet condition	Applicable air compressor [kW]	Port size	Page
IDF100F	40°C 0.7 MPa	100	R2	14
IDF125F		125	65A (2 1/2B) Flange	
IDF150F		150	80A (3B) Flange	
IDF190D		190		
IDF240D		240	100A (4B) Flange	
IDF370D	35°C 0.7 MPa	370	150A (6B) Flange	19

High inlet air temperature type *IDU□E Series*

- Energy-saving design**

The use of an aftercooler allows for the load on the compressor for refrigeration to be greatly reduced.
 (Power consumption: Reduced by up to 50%)

* IDU8E to 75E



Model	Rated inlet condition	Applicable air compressor [kW]	Port size	Page
IDU3E	55°C 0.7 MPa	2.2	Rc3/8	22
IDU4E		3.7	Rc1/2	
IDU6E		5.5	Rc3/4	
IDU8E		7.5		
IDU11E		11		
IDU15E1		15	Rc1	
IDU22E		22	R1	
IDU37E		37	R1 1/2	
IDU55E		55	R2	
IDU75E		75		



IDU□E

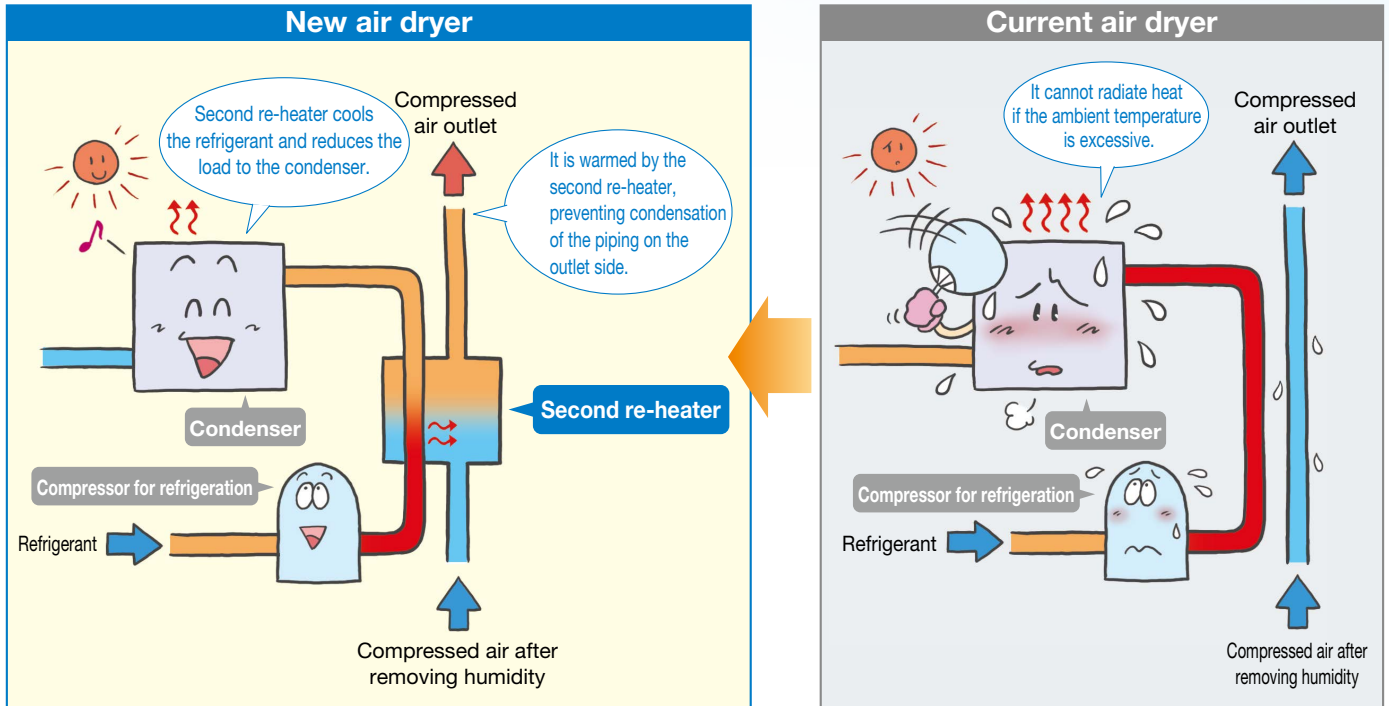
Refrigerated Air Dryer

IDF100F/125F/150F Series

Tolerant of high temperature environment (ambient temperature 45°C), Energy saving design!

Air-cooled type can be used at ambient temperature 45°C.

Second re-heater helps the heat radiation of the condenser allow use at ambient temperature 45°C.

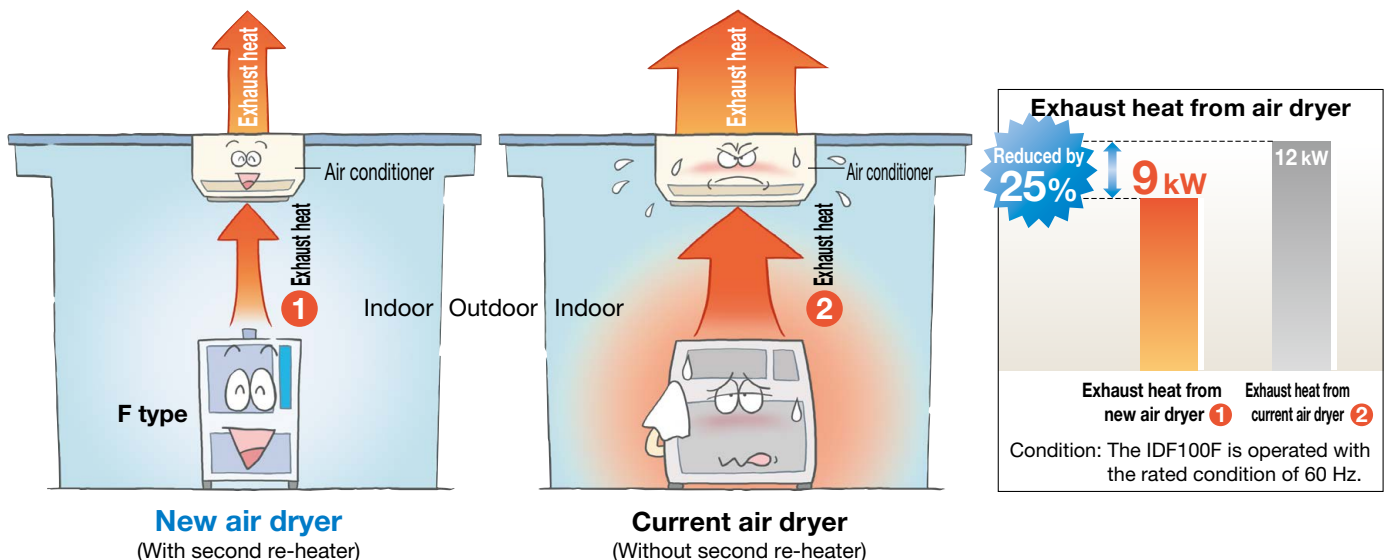


Energy saving design: Reduces exhaust heat from air dryer by up to 25%.

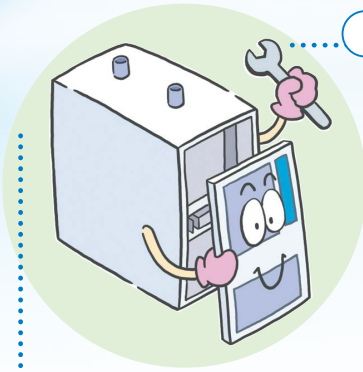
Suppresses ambient temperature increase (air-cooled type)/ Reduces amount of facility water (water-cooled type)!

Second re-heater reduces the load to the condenser, and reduces exhaust heat from air dryer by up to 25%. (comparison with other SMC products)

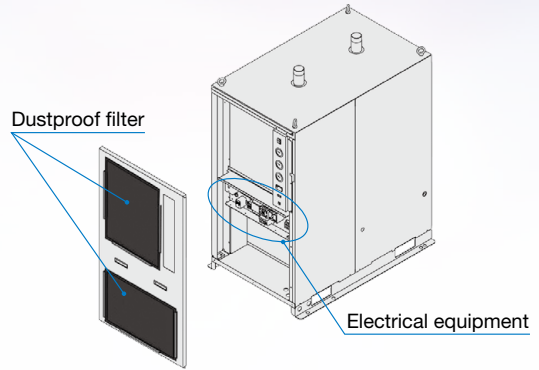
Reduced exhaust heat achieves downsizing and energy saving operation of the air conditioner!



Maintenance



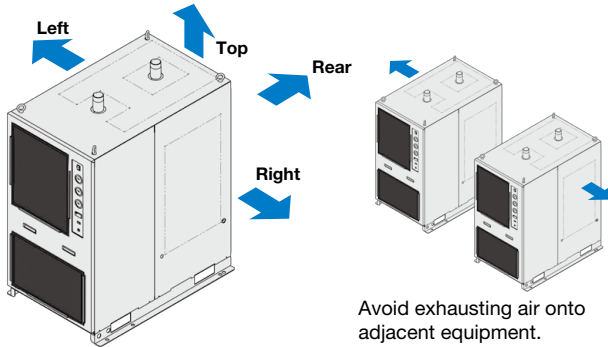
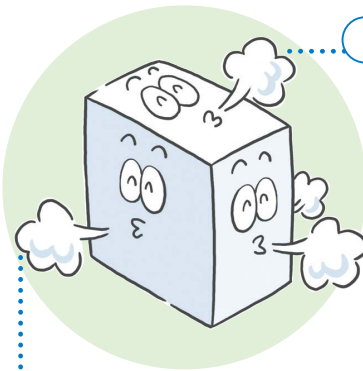
- Dustproof filter provided as a standard accessory
- Only access from front side is required to check electrical equipment and dustproof filter.



Selection of layout

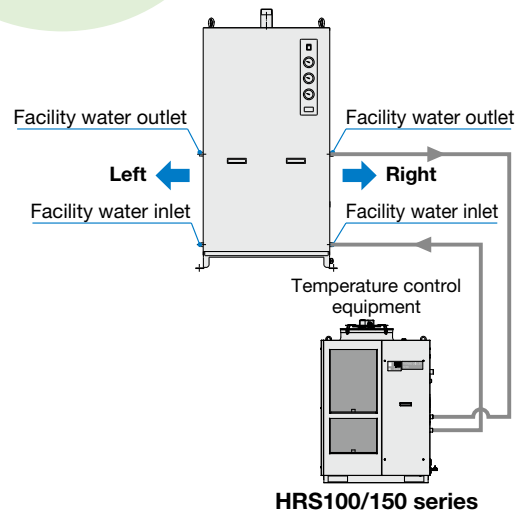
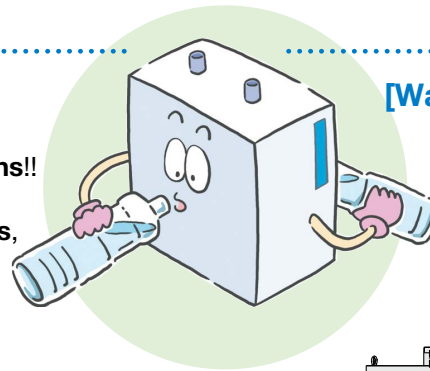
[Air-cooled type]

Exhausting direction can be selected from **four directions**!!
Auto drain tube can be connected in **two directions**, left or right.



[Water-cooled type]

Facility water piping port can be selected from **two directions**!!

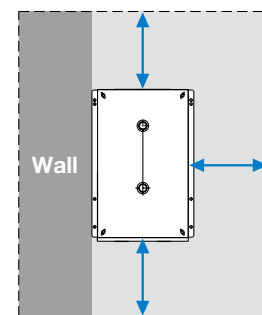
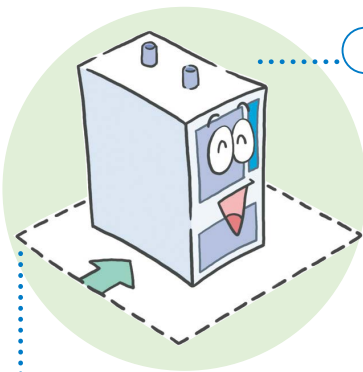


Space saving

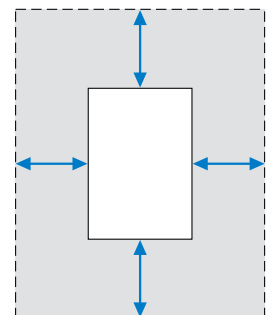
Either the left or right can be installed flat against a wall! *1
Installation space can be reduced by up to **1.5 m²**!!

*1 For air-cooled type, leave a space of at least 600 mm between the heat exhausting surface and the wall.
For water-cooled type, leave a space at least 600 mm between the facility water piping side and the wall.

Leave at least 600 mm on the sides indicated with \longleftrightarrow .





Installation space of the **IDF100F** (Example: Installed flat against the wall on the left)



Installation space of the current type


Contents

Standard Inlet Air Temperature Type **IDF□E/F/D Series** **Rated inlet air temperature: 35, 40°C**

Model	Rated inlet condition	Air flow capacity [m³/min(ANR)]		Applicable air compressor [kW]	Refrigerant	Port size	Page
		50 Hz	60 Hz				
	IDF1E	0.1	0.12	0.75	R134a (HFC)	Rc3/8	9 to 12
	IDF2E	0.2	0.235	1.5			
	IDF3E	0.32	0.37	2.2			
	IDF4E	0.52	0.57	3.7			
	IDF6E	0.75	0.82	5.5			
	IDF8E	1.22	1.32	7.5			
	IDF11E	1.65	1.82	11			
	IDF15E1	2.8	3.1	15			
	IDF60	5.6	6.5	22	R410A (HFC)	R1	
	IDF60 or IDF70	5.6 or 8.0	6.5 or 9.1	37		R1 or R1 1/2	
IDF80	11.6	13.6	55	R2			
IDF80 or IDF90	11.6 or 14.3	13.6 or 16.4	75				
Large size series 	IDF100F	16.0	18.8	100	R407C (HFC)	65A (2 1/2B) Flange	14 to 21
	IDF125F	20.1	23.7	125			
	IDF150F	25.0	30.0	150			
	IDF190D	32.0	38.0	190			
	IDF240D	43.0	50.0	240			
	IDF370D	54.0	65.0	370			



High Inlet Air Temperature Type **IDU□E Series** **Rated inlet air temperature: 55°C**

Model	Rated inlet condition	Air flow capacity [m³/min(ANR)]		Applicable air compressor [kW]	Refrigerant	Port size	Page
		50 Hz	60 Hz				
	IDU3E	0.32	0.37	2.2	R134a (HFC)	Rc3/8	22 to 24
	IDU4E	0.52	0.57	3.7			
	IDU6E	0.75	0.82	5.5			
	IDU8E	1.1	1.2	7.5			
	IDU11E	1.5	1.7	11			
	IDU15E1	2.6	2.8	15	R407C (HFC)	Rc1	
	IDU22E	3.9	4.3	22			
	IDU37E	5.7	6.1	37			
	IDU55E	8.4	9.8	55			
	IDU75E	11.0	12.5	75			

Refer to page the **Web Catalog** for dryer models compliant with international standards (CE/UKCA marked products and UL standards compliant products).

Options

Description	Applicable model	Model (Suffix: Option symbol)	Page	
Cool compressed air output (Without re-heater)	IDF1E to 15E1	DF□E-□-A	28, 29	
Anti-corrosive treatment for copper tube	IDF1E to 15E1	IDF□E-□-C		
	IDF100F to 150F	IDF□F-□-C		
	IDF190D to 370D	IDF□D-□(-□)-C		
	IDU3E to 15E1	IDU□E-□-C		
With Chinese labels and a Chinese operation manual	IDF1E to 15E1	IDF□E-□-G		
	IDU3E to 15E1	IDU□E-□-G		
Moderate pressure specification (up to 1.6 MPa)	IDF6E to 15E1	IDF□E-□-K		
	IDU3E to 15E1	IDU□E-□-K		
	IDF100F to 150F	IDF□F-□-K		
With a heavy-duty auto drain*1 (applicable to moderate pressure)	IDF4E to 15E1	IDF□E-□-L		
	IDF370D	IDF370D-□-L		
	IDU3E to 15E1	IDU□E-□-L		
With a motor type auto drain*2	IDF4E to 15E1	IDF□E-□-M		30
	IDF190D, 240D	IDF□D-□(-□)-M		
	IDU3E to 15E1	IDU□E-□-M		
With a metal name plate	IDF100F to 150F	IDF□F-□-P	30	
With an earth leakage breaker	IDF4E to 15E1	IDF□E-□-R	31	
	IDF100F to 150F	IDF□F-□-R		
	IDF190D to 370D	IDF□D-3-R		
	IDU3E to 15E1	IDU□E-□-R		
Power supply terminal block connection	IDF1E to 15E1-10	IDF□E-10-S	32	
	IDU3E to 15E1-10	IDU□E-10-S		
With a terminal block for power supply, operating, and error signals*3	IDF4E to 15E1	IDF□E-□-T		
	IDU3E to 15E1	IDU□E-□-T		
With a timer controlled solenoid valve type auto drain (applicable to moderate pressure)	IDU3E to 15E1	IDU□E-□-V	33	
	IDF100F to 150F	IDF□F-□-V		
Water-cooled type (Condenser)*2	IDF100F to 150F	IDF□F-□-W		
	IDF190D, 240D	IDF□D-3-W		

*1 The IDF100F to 150F, 190D, 240D standard types are equipped with a heavy-duty auto drain and a terminal block for remote operation, stop, operating, and error signal.

*2 The IDF370D standard type is the water-cooled type with a motor type auto drain.

*3 When switching from the previous air dryer and remote operation are required, select the Made to Order (IDF/U□E-□-X256) product.

The IDF100F to 150F and 190D to 370D standard types are equipped with a terminal block for remote operation, stop, operating, and error signals.

Optional Accessories

Description	Page
Separately installed power transformer	34 to 42
Dedicated base for separately installed power transformer	
Dust-protecting filter set	
Bypass piping set	
Foundation bolt set	
Piping adapter	
Conversion piping set	
Conversion bypass piping set	

IDF/IDU Series Model Selection

The corrected air flow capacity, which considers the user's operating conditions, is required for selecting air dryer. Select using the following procedures.

<p>1 Select the IDF or IDU.</p>	<p>Select the IDF or IDU from inlet air temperature used.</p> <ul style="list-style-type: none"> • Inlet air temperature 5 to 50°C IDF (For IDF100F to 150F, up to 60°C is allowed.) • Inlet air temperature 50 to 80°C IDU 																																																																	
<p>2 Read the correction factors.</p> <p>Obtain the correction factors (A) to (D) suitable for your operating condition from the table on the next page.</p>	<table border="1" style="width: 100%; border-collapse: collapse;"> <thead> <tr> <th colspan="4" style="background-color: #444; color: white; text-align: center;">IDF Selection Example</th> </tr> <tr> <th style="width: 30%;">Condition</th> <th style="width: 20%;">Data symbol</th> <th style="width: 10%;">Correction factor ^{*1}</th> <th style="width: 40%;"></th> </tr> </thead> <tbody> <tr> <td>Inlet air temperature</td> <td>40°C</td> <td>(A)</td> <td>0.82</td> </tr> <tr> <td>Ambient temperature</td> <td>35°C</td> <td>(B)</td> <td>0.96</td> </tr> <tr> <td>Outlet air pressure dew point</td> <td>10°C</td> <td>(C)</td> <td>1</td> </tr> <tr> <td>Inlet air pressure</td> <td>0.5 MPa</td> <td>(D)</td> <td>0.88</td> </tr> <tr> <td>Air flow rate</td> <td>0.3 m³/min</td> <td>—</td> <td>—</td> </tr> <tr> <td>Power supply frequency</td> <td>50 Hz</td> <td>—</td> <td>—</td> </tr> </tbody> </table> <p><small>*1 Values obtained from "Correction Factors" on page 8. * The outlet air pressure dew point varies depending on the operating conditions. Particularly when the outlet air pressure dew point is 3°C or 5°C, though this depends on the operating conditions, freeze protection functions may be activated, resulting in the dew point rising and becoming unstable. If a stable low dew point is required, consider an IDG series membrane air dryer or an ID series heatless air dryer.</small></p>	IDF Selection Example				Condition	Data symbol	Correction factor ^{*1}		Inlet air temperature	40°C	(A)	0.82	Ambient temperature	35°C	(B)	0.96	Outlet air pressure dew point	10°C	(C)	1	Inlet air pressure	0.5 MPa	(D)	0.88	Air flow rate	0.3 m ³ /min	—	—	Power supply frequency	50 Hz	—	—	<table border="1" style="width: 100%; border-collapse: collapse;"> <thead> <tr> <th colspan="4" style="background-color: #444; color: white; text-align: center;">IDU Selection Example</th> </tr> <tr> <th style="width: 30%;">Condition</th> <th style="width: 20%;">Data symbol</th> <th style="width: 10%;">Correction factor ^{*1}</th> <th style="width: 40%;"></th> </tr> </thead> <tbody> <tr> <td>Inlet air temperature</td> <td>60°C</td> <td>(A)</td> <td>0.95</td> </tr> <tr> <td>Ambient temperature</td> <td>35°C</td> <td>(B)</td> <td>0.93</td> </tr> <tr> <td>Outlet air pressure dew point</td> <td>10°C</td> <td>(C)</td> <td>1</td> </tr> <tr> <td>Inlet air pressure</td> <td>0.5 MPa</td> <td>(D)</td> <td>0.88</td> </tr> <tr> <td>Air flow rate</td> <td>0.4 m³/min</td> <td>—</td> <td>—</td> </tr> <tr> <td>Power supply frequency</td> <td>60 Hz</td> <td>—</td> <td>—</td> </tr> </tbody> </table> <p><small>*1 Values obtained from "Correction Factors" on page 8. * The outlet air pressure dew point varies depending on the operating conditions. Particularly when the outlet air pressure dew point is 3°C or 5°C, though this depends on the operating conditions, freeze protection functions may be activated, resulting in the dew point rising and becoming unstable. If a stable low dew point is required, consider an IDG series membrane air dryer or an ID series heatless air dryer.</small></p>	IDU Selection Example				Condition	Data symbol	Correction factor ^{*1}		Inlet air temperature	60°C	(A)	0.95	Ambient temperature	35°C	(B)	0.93	Outlet air pressure dew point	10°C	(C)	1	Inlet air pressure	0.5 MPa	(D)	0.88	Air flow rate	0.4 m ³ /min	—	—	Power supply frequency	60 Hz	—	—
IDF Selection Example																																																																		
Condition	Data symbol	Correction factor ^{*1}																																																																
Inlet air temperature	40°C	(A)	0.82																																																															
Ambient temperature	35°C	(B)	0.96																																																															
Outlet air pressure dew point	10°C	(C)	1																																																															
Inlet air pressure	0.5 MPa	(D)	0.88																																																															
Air flow rate	0.3 m ³ /min	—	—																																																															
Power supply frequency	50 Hz	—	—																																																															
IDU Selection Example																																																																		
Condition	Data symbol	Correction factor ^{*1}																																																																
Inlet air temperature	60°C	(A)	0.95																																																															
Ambient temperature	35°C	(B)	0.93																																																															
Outlet air pressure dew point	10°C	(C)	1																																																															
Inlet air pressure	0.5 MPa	(D)	0.88																																																															
Air flow rate	0.4 m ³ /min	—	—																																																															
Power supply frequency	60 Hz	—	—																																																															
<p>3 Check the coefficient.</p>	<p>Correction factor = 0.82 x 0.96 x 1 x 0.88 = 0.69 Max. coefficient value is 1.5. Correction factor is 1.5 when the calculation result is 1.5 or greater.</p>	<p>Correction factor = 0.95 x 0.93 x 1 x 0.88 = 0.78 Max. coefficient value is 1.5. Correction factor is 1.5 when the calculation result is 1.5 or greater.</p>																																																																
<p>4 Calculate the corrected air flow capacity.</p> <p>Obtain the corrected air flow capacity from the following formula. Corrected air flow capacity = Air flow rate ÷ (Correction factor (A) x (B) x (C) x (D))</p>	<p style="text-align: center;">Corrected air flow capacity = 0.3 m³/min ÷ (0.82 x 0.96 x 1 x 0.88) = 0.43 m³/min</p>	<p style="text-align: center;">Corrected air flow capacity = 0.4 m³/min ÷ (0.95 x 0.93 x 1 x 0.88) = 0.51 m³/min</p>																																																																
<p>5 Select the model.</p> <p>Select the model with air flow capacity which exceeds the corrected air flow capacity from the specification table. (For air flow capacity, refer to the data (E) on page 8.)</p>	<p>According to the corrected air flow capacity of 0.43 m³/min, the IDF4E will be selected which air flow capacity is 0.52 m³/min at 50 Hz.</p>	<p>According to the corrected air flow capacity of 0.51 m³/min, the IDU4E will be selected which air flow capacity is 0.57 m³/min at 60 Hz.</p>																																																																
<p>6 Options</p>	<p>Refer to pages 28 to 33.</p>	<p>Refer to pages 28 to 33.</p>																																																																
<p>7 Finalize the model number.</p>	<p>Refer to pages 9, 13, 14, 19.</p>	<p>Refer to pages 22 and 25.</p>																																																																
<p>8 Select the optional accessories.</p>	<p>Refer to pages 34 to 42.</p>																																																																	

Correction Factors

Data (A): Inlet Air Temperature

IDF Series

IDF1E to 15E1

Inlet air temp. [°C]	Correction factor
5 to 30	1.3
35	1
40	0.82
45	0.68
50	0.57

IDF190D to 240D

Inlet air temp. [°C]	Correction factor
5 to 30	1.35
35	1.25
40	1
45	0.8
50	0.6

IDF100F to 150F

Inlet air temp. [°C]	Correction factor
5 to 30	1.41
35	1.21
40	1
45	0.92
50	0.75
55	0.63
60	0.53

IDF370D

Inlet air temp. [°C]	Correction factor
5 to 30	1.25
35	1.00
40	0.83
45	0.70
50	0.60

IDU Series

IDU3E to IDU37E

Inlet air temp. [°C]	Correction factor
5 to 45	1.15
50	1.07
55	1
60	0.95
65	0.9
70	0.86
75	0.82
80	0.79

IDU55E, 75E

Inlet air temp. [°C]	Correction factor
5 to 45	1.21
50	1.10
55	1
60	0.87
65	0.76
70	0.74
75	0.72
80	0.70

Data (B): Ambient Temperature *1

IDF Series

IDF1E to 15E1

Ambient temp. [°C]	Correction factor
2 to 25	1.14
30	1.04
32	1
35	0.96
40	0.9

IDF100F to 150F

Ambient temp. [°C]	Correction factor
2 to 25	1.06
30	1.02
32	1
35	0.99
40	0.98
45	0.92

IDF190D to 240D

Ambient temp. [°C]	Correction factor
2 to 25	1.10
30	1.05
32	1
35	0.95
40	0.90

IDU Series

IDU3E to IDU37E

Ambient temp. [°C]	Correction factor
2 to 25	1.2
30	1.04
32	1
35	0.93
40	0.84

IDU55E, 75E

Ambient temp. [°C]	Correction factor
2 to 25	1.25
30	1.11
32	1
35	0.90
40	0.63

*1 For the water-cooled type, the correction factor is determined to "1" in an ambient temperature range of 2 to 45°C.

Data (C): Outlet Air Pressure Dew Point

IDF Series

IDF1E to 15E1, 190D to 370D

Outlet air pressure dew point [°C]	Correction factor
3	0.55
5	0.7
10	1
15	1.3

Outlet air pressure dew point [°C]	Correction factor
3	0.55
5	0.7
10	1
15	1.3

IDF100F to 150F, IDU55E, 75E

Outlet air pressure dew point [°C]	Correction factor
3	0.55
5	0.7
10	1
15	1.4

Outlet air pressure dew point [°C]	Correction factor
3	0.53
5	0.67
10	1
15	1.30

Data (D): Inlet Air Pressure

IDF Series

IDF1E to 15E1

Inlet air pressure [MPa]	Correction factor
0.2	0.62
0.3	0.72
0.4	0.81
0.5	0.88
0.6	0.95
0.7	1
0.8	1.06
0.9	1.11
1 to 1.6	1.16

IDF100F to 150F

Inlet air pressure [MPa]	Correction factor
0.2	0.84
0.3	0.87
0.4	0.9
0.5	0.93
0.6	0.96
0.7	1
0.8	1.03
0.9	1.06
1 to 1.6	1.09

IDF190D to 370D

Inlet air pressure [MPa]	Correction factor
0.2	0.68
0.3	0.77
0.4	0.84
0.5	0.90
0.6	0.95
0.7	1
0.8	1.03
0.9	1.06
1.0	1.08

IDU Series

IDU3E to 37E

Inlet air pressure [MPa]	Correction factor
0.2	0.62
0.3	0.72
0.4	0.81
0.5	0.88
0.6	0.95
0.7	1
0.8	1.06
0.9	1.11
1 to 1.6	1.16

IDU55E, 75E

Inlet air pressure [MPa]	Correction factor
0.2	0.62
0.3	0.69
0.4	0.77
0.5	0.85
0.6	0.93
0.7	1
0.8	1.08
0.9	1.16
1 to 1.6	1.23

Data (E): Air Flow Capacity

IDF Series

Model	IDF1E	IDF2E	IDF3E	IDF4E	IDF6E	IDF8E	IDF11E	IDF15E1
Air flow capacity 50 Hz	0.10	0.20	0.32	0.52	0.75	1.22	1.65	2.8
[m³/min (ANR)] 60 Hz	0.12	0.235	0.37	0.57	0.82	1.32	1.82	3.1

Model	IDF100F	IDF125F	IDF150F	IDF190D	IDF240D	IDF370D
Air flow capacity 50 Hz	16.0	20.1	25.0	32.0	43.0	54.0
[m³/min (ANR)] 60 Hz	18.8	23.7	30.0	38.0	50.0	65.0

* In the case of the Option A (cool compressed air output), the air flow capacity is different. Refer to page 28 for details.

IDU Series

Model	IDU3E	IDU4E	IDU6E	IDU8E	IDU11E	IDU15E1	IDU22E	IDU37E	IDU55E	IDU75E
Air flow capacity 50 Hz	0.32	0.52	0.75	1.1	1.5	2.6	3.9	5.7	8.4	11.0
[m³/min (ANR)] 60 Hz	0.37	0.57	0.82	1.2	1.7	2.8	4.3	6.1	9.8	12.5

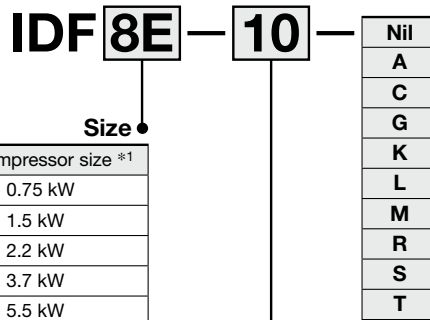
Refrigerant R134a (HFC) Standard Inlet Air Temperature

IDF □ E Series

1E, 2E, 3E, 4E, 6E, 8E, 11E, 15E1

(Max. inlet air temperature: 50°C, Max. ambient temperature: 40°C)

How to Order



Size ●

Symbol	Air compressor size *1
1E	0.75 kW
2E	1.5 kW
3E	2.2 kW
4E	3.7 kW
6E	5.5 kW
8E	7.5 kW
11E	11 kW
15E1	15 kW

*1 Note that the above values are for reference only. Check the actual compressor capacity.

Voltage ●

Symbol	Voltage	Applicable size							
		1E	2E	3E	4E	6E	8E	11E	15E1
10	Single-phase 100 VAC (50Hz) 100/110 VAC (60Hz)	●	●	●	●	●	●	●	●
	Single-phase 200 VAC (50Hz) 200/220 VAC (60Hz)	—	—	●	●	●	●	●	●

Options ●

Symbol *1	Nil	A	C	G	K	L	M	R	S	T
Description	None	Cool compressed air output	Anti-corrosive treatment for copper tube	With Chinese labels and a Chinese operation manual	Moderate pressure specification *2 (Auto drain bowl: Metal bowl with level gauge)	With a heavy-duty auto drain (applicable to moderate pressure) *2	With a motor type auto drain	With an earth leakage breaker	Power supply terminal block connection (Voltage symbol 10 only) *3	With a terminal block for power supply, operating, and error signals *4
Size										
1E	●	●	●	●	—	—	—	—	●	— *5
2E	●	●	●	●	—	—	—	—	●	— *5
3E	●	●	●	●	—	—	—	—	●	— *5
4E	●	●	●	●	—	●	●	●	●	●
6E	●	●	●	●	●	●	●	●	●	●
8E	●	●	●	●	●	●	●	●	●	●
11E	●	●	●	●	●	●	●	●	●	●
15E1	●	●	●	●	●	●	●	●	●	●

*1 When multiple options are combined, indicate symbols in alphabetical order.

However, the following combinations are not possible.

- R and S (Because S function is also included in R.)
- S and T (Because S function is also included in T.)

· The combination of K, L and M is not possible because an auto drain can only be attached to a single option.

*2 The maximum operating pressure is 1.6 MPa.

*3 Voltage symbol 20 (200 VAC) is the terminal block connection as standard. The Option S cannot be chosen.

Voltage symbol 10 (100 VAC) is the power cable with plug as standard.

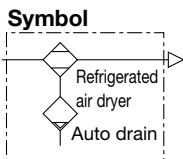
*4 To users who are considering switching from the previous air dryer:

When switching from the previous air dryer and remote operation are required, select the Made to Order (IDF□E-□-X256) product.

*5 If a product with a terminal block for power supply, operating, and error signals is required, select the special order IDF□E-□-X128.

* Refer to pages 28 to 32 for further information on options.

Standard Specifications



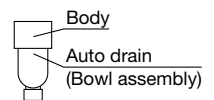
Specifications		Model									
		IDF1E	IDF2E	IDF3E	IDF4E	IDF6E	IDF8E	IDF11E	IDF15E1		
Operating range ^{*3}	Fluid	Compressed air									
	Inlet air temperature [°C]	5 to 50									
	Inlet air pressure [MPa]	0.15 to 1.0 ^{*9}									
	Ambient temperature (Humidity) [°C]	2 to 40 (Relative humidity 85% or less)									
Rated conditions ^{*4}	Air flow capacity [m ³ /min]	Standard condition (ANR) ^{*1}	50 Hz	0.10	0.20	0.32	0.52	0.75	1.22	1.65	2.8
		Compressor intake condition ^{*2}	50 Hz	0.12	0.235	0.37	0.57	0.82	1.32	1.82	3.1
			60 Hz	0.11	0.21	0.34	0.55	0.8	1.3	1.75	3.0
	Inlet air pressure [MPa]	0.7									
	Inlet air temperature [°C]	35									
	Ambient temperature [°C]	32									
Electric specifications ^{*4}	Power supply voltage (Frequency) ^{*5}	Single-phase: 100 VAC (50 Hz), 100/110 VAC (60 Hz) ^{*5} Single-phase: 200 VAC (50 Hz), 200/220 VAC (60 Hz)									
		Power consumption 50/60 Hz ^{*6} [W]	Single-phase 100 V	180/202	180/202	180/202	180/202	180/202	208/236	385/440	420/480
Operating current 50/60 Hz ^{*6} [A]	Single-phase 100 V	2.4/2.5	2.4/2.5	2.4/2.5	2.4/2.5	2.4/2.5	3.0/3.1	5.7/5.7	4.3/4.6		
	Single-phase 200 V	—	—	1.2/1.3	1.2/1.3	1.2/1.3	1.5/1.5	3.4/3.0	3.4/3.1		
Applicable earth leakage breaker capacity ^{*7} [A] (Sensitivity of leak current of 30 mA)		10 (100 VAC), 5 (200 VAC)									
Condenser		Air-cooled									
Refrigerant		R134a (HFC)									
Refrigerant charge [kg]		0.07	0.115	0.15	0.18	0.20	0.25	0.26	0.35		
Auto drain		Float type (Normally closed)	Float type (Normally open)								
Port size		Rc3/8			Rc1/2	Rc3/4		Rc1			
Weight [kg]		16	17	18	22	23	27	28	46		
Applicable air compressor output (Reference) For screw type [kW]		0.75	1.5	2.2	3.7	5.5	7.5	11	15		

- *1 Air flow capacity under the standard condition (ANR) [20°C, Atmospheric pressure, and 65% Relative humidity]
- *2 Air flow capacity converted by the compressor intake condition [32°C, Atmospheric pressure, and 75% Relative humidity]
- *3 The operation range does not guarantee the use with normal air flow capacity.
- *4 Select the model in accordance with Model Selection (pages 7, 8) for models beyond the rated specifications.
- *5 When selecting a power supply voltage, refer to the How to Order on page 9.
- *6 These values are reference values under rated conditions, and are not guaranteed. Do not use these values for the thermal set values, etc.
- *7 Product other than the Option R is not equipped with an earth leakage breaker. Purchase an appropriate earth leakage breaker separately.

Replacement Parts

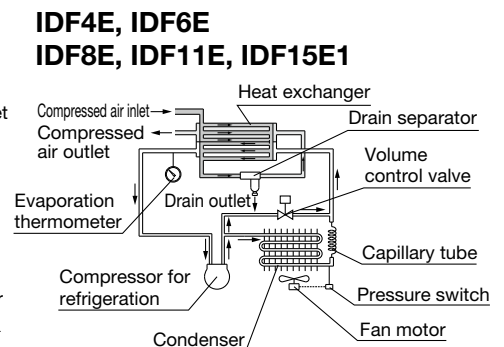
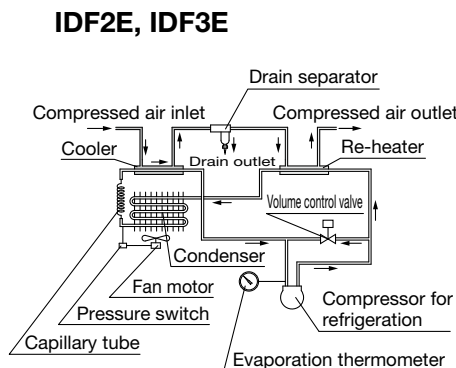
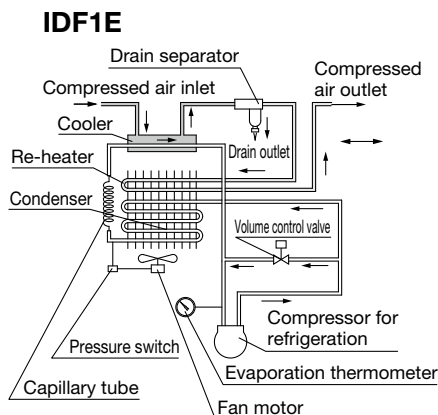
Model		IDF1E	IDF2E	IDF3E	IDF4E	IDF6E	IDF8E	IDF11E	IDF15E1
Auto drain replacement parts no. ^{*8}	New	AD37-A	AD38-A		AD48-A				
	Previous	AD37	AD38		AD48				

- *8 The part number for the auto drain (Bowl assembly) components only excluding the body part. Body part replacement is not possible. In addition, a new line of auto drain models was recently introduced in March 2019. The previous models and the new models do not have mounting interchangeability. For details, refer to page 43.
- *9 The maximum operating pressure is 1.0 MPa as standard, but it is possible to achieve 1.6 MPa when selecting Option K or Option L.



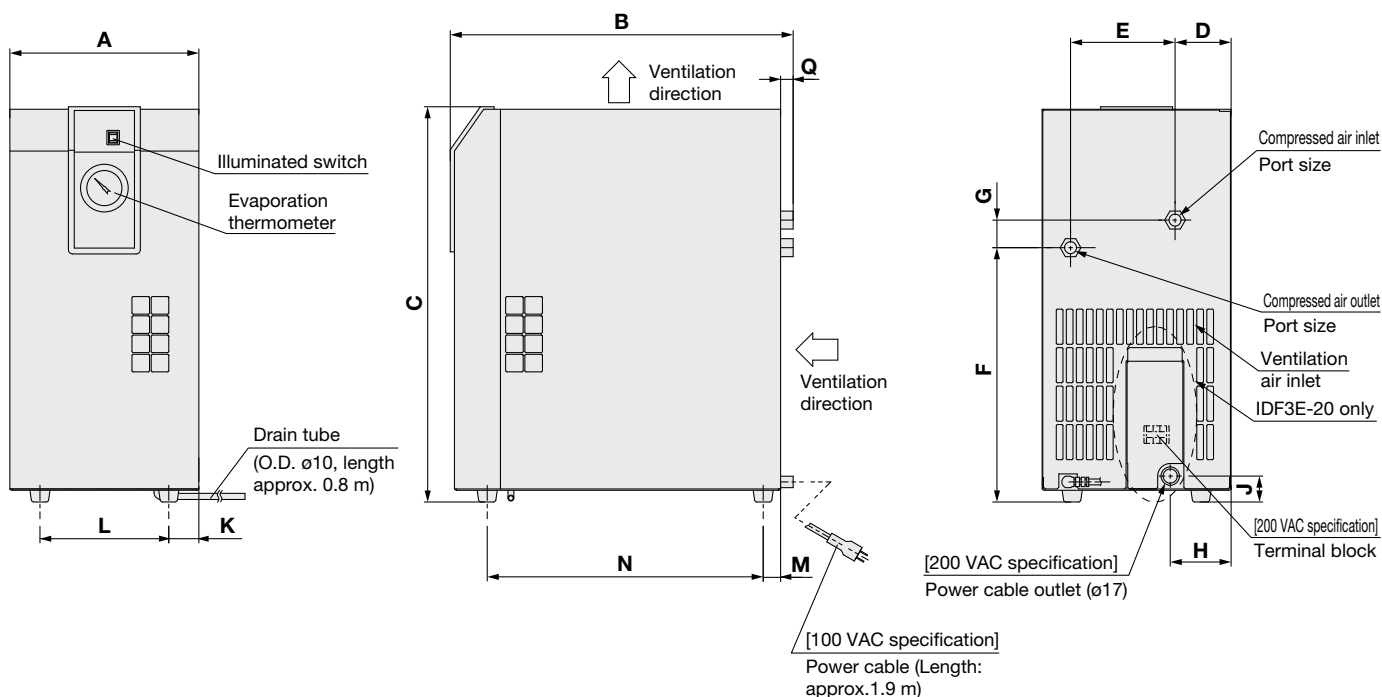
Construction (Air/Refrigerant Circuit)

Humid, hot air coming into the air dryer will be cooled down by a cooler (heat exchanger). Water condensed at this time will be removed from the air by a drain separator (auto drain) and drained out automatically. Air separated from the water will be heated by a re-heater (heat exchanger) to obtain the dried air, which goes through to the outlet side.

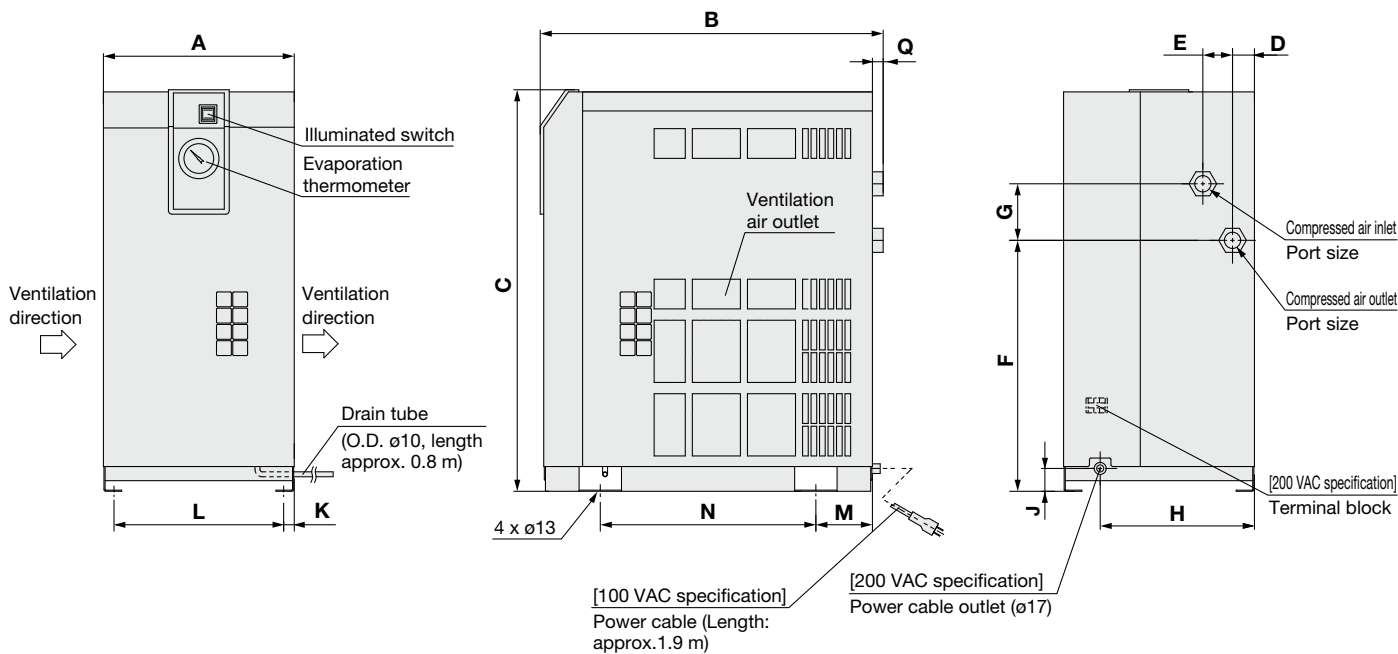


Dimensions

IDF1E to 3E



IDF4E to 11E

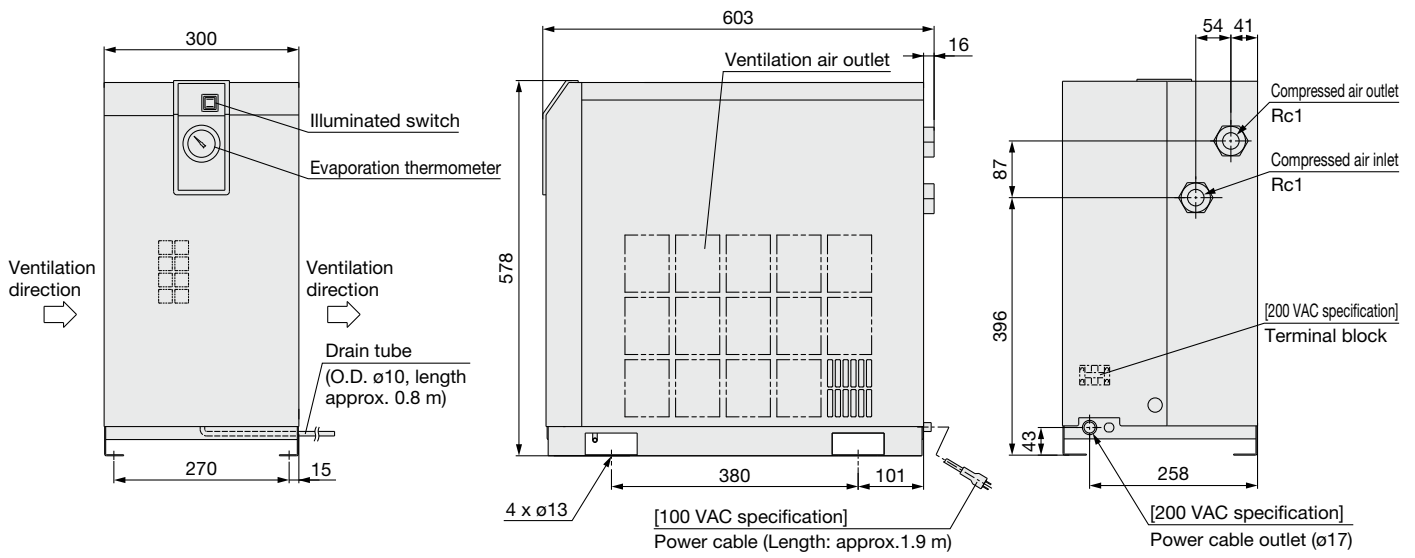


Dimensions

Model	Port size	A	B	C	D	E	F	G	H	J	K	L	M	N	Q										
IDF1E	Rc3/8	226	410	413	69	101	270	32	-	-	38	150	21	330	15										
IDF2E					51	125	232	138	-	-	38	150	24	327											
IDF3E				473	67	125	304	33	73	31	36	154	21	330											
IDF4E	Rc1/2	270	453	498	31	42	283	80	230	32	15	240	80	275	13										
IDF6E	455													275											
IDF8E	Rc3/4			485										568	31	42	355	80	230	32	15	240	80	300	15
IDF11E																								300	

Dimensions

IDF15E1



Model Selection

Refrigerant R134a (HFC)
IDF□E

Refrigerant R410A (HFC)
IDF

Refrigerant R407C (HFC)
IDF□F

Refrigerant R407C (HFC)
IDF□D

Refrigerant R134a (HFC)
IDU□E

Refrigerant R407C (HFC)
IDU□E

Options

Optional Accessories

Specific Product Precautions

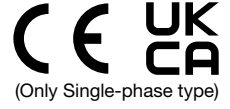
Refrigerated Air Dryer

IDF60/70/80/90 Series

(Max. inlet air temperature: 65°C, Max. ambient temperature: 45°C)



Catalog



(Only Single-phase type)

Applicable for the high-temperature environments

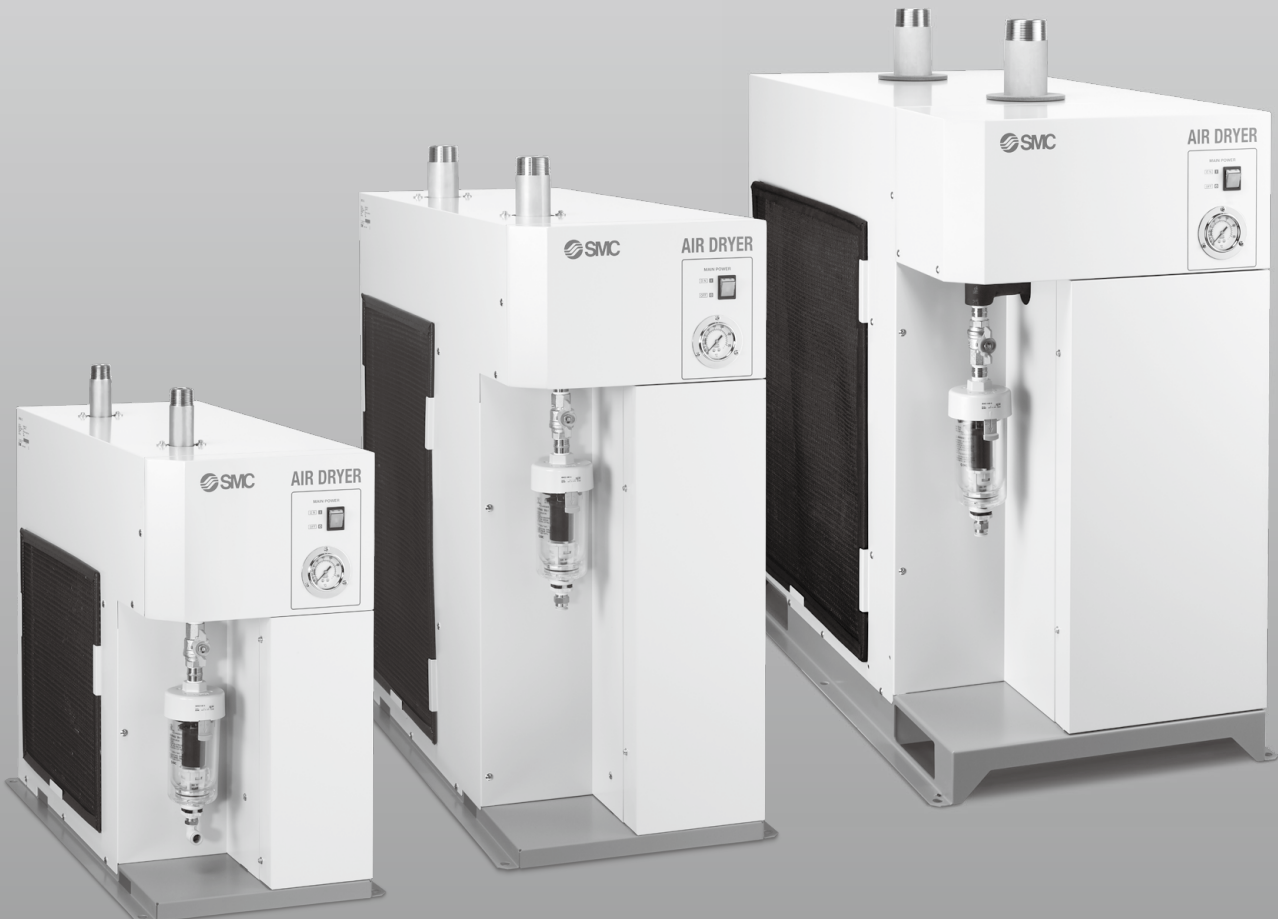
Ambient temperature : Max. **45°C**
Inlet air temperature : Max. **65°C**

Air flow capacity

* IDF90-20, Dew point of 10°C, 60 Hz

16.4 m³/min

(24% increase compared to the existing model)



Refrigerant R407C (HFC) IDF100F/125F/150F Series

Applicable Compressor Size: 100 kW, 125 kW, 150 kW
(Max. inlet air temperature: 60°C, Max. ambient temperature: 45°C)

How to Order

Air-cooled

IDF 100F - 30 -

Nil	Nil
C	1
G	2
K	3
P	
R	
V	

Size	Air compressor size *1
100F	100 kW
125F	125 kW
150F	150 kW

*1 Note that the above values are for reference only. Check the actual compressor capacity.

Symbol	Voltage
30	Three-phase 200 VAC (50 Hz) 200/220 VAC (60 Hz)

Voltage

Symbol *1	Description
Nil	None
C	Anti-corrosive treatment for copper tube
G	With Chinese labels and a Chinese operation manual
K	Moderate pressure specification (Up to 1.6 MPa)
P	With a metal name plate
R	With an earth leakage breaker
V	With a timer controlled solenoid valve type auto drain

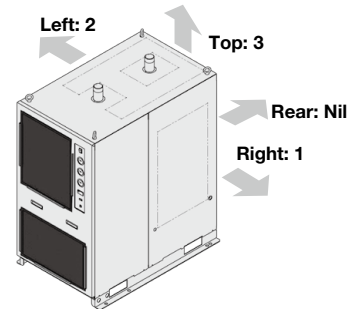
Options

- *1 When multiple options are combined, indicate symbols in alphabetical order.
- * A terminal block for remote operation, stop, operating, and error signals is included as standard equipment.
- * Refer to pages 28 to 32 for further information on options.

Heat exhausting direction

Symbol	Description
Nil	Heat exhaust from the rear
1	Heat exhaust from the right *1
2	Heat exhaust from the left *1
3	Heat exhaust from the top *1

*1 The combination of 1, 2 and 3 is not available. (Heat exhausting face can be specified on one side only.)



Water-cooled

IDF 100F - 30 -

Nil	W
C	4
G	5
K	
P	
R	
V	

Size	Air compressor size *1
100F	100 kW
125F	125 kW
150F	150 kW

*1 Note that the above values are for reference only. Check the actual compressor capacity.

Symbol	Voltage
30	Three-phase 200 VAC (50 Hz) 200/220 VAC (60 Hz)

Voltage

Symbol *1	Description
Nil	None
C	Anti-corrosive treatment for copper tube
G	With Chinese labels and a Chinese operation manual
K	Moderate pressure specification (Up to 1.6 MPa)
P	With a metal name plate
R	With an earth leakage breaker
V	With a timer controlled solenoid valve type auto drain

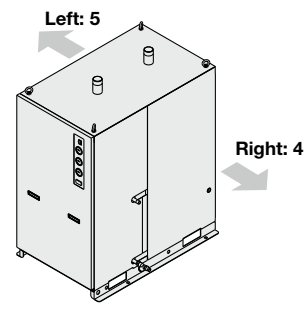
Option

- *1 Enter alphabetically when multiple options are combined.
- * A terminal block for remote operation, stop, operating, and error signals is included as standard equipment.
- * Refer to pages 28 to 33 for further information on options.

Piping direction

Symbol	Description
4	Facility water piping direction: Right *1
5	Facility water piping direction: Left *1

*1 The combination of 4 and 5 is not available. (Piping direction can be specified on one side only.)



Cooling method

Symbol	Cooling method
W	Water-cooled condenser



Model Selection

Refrigerant R134a (HFC)
IDF□□E

Refrigerant R410A (HFC)
IDF

Refrigerant R407C (HFC)
IDF□F

Refrigerant R407C (HFC)
IDF□D

Refrigerant R134a (HFC)
IDU□□E

Refrigerant R407C (HFC)
IDU□□E

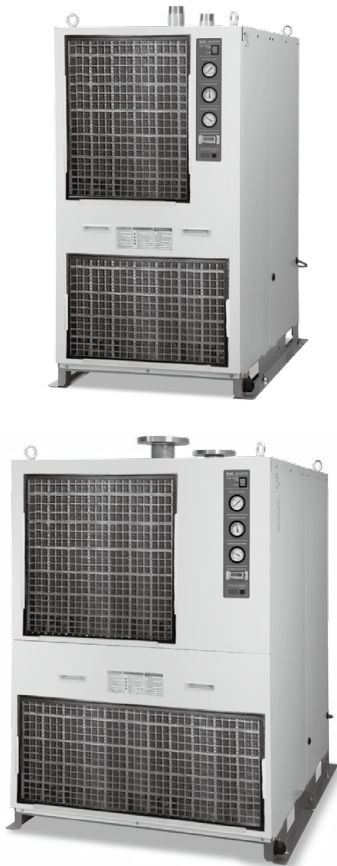
Options

Optional Accessories

Specific Product Precautions

IDF100F/125F/150F Series

Standard Specifications: Air-cooled Type



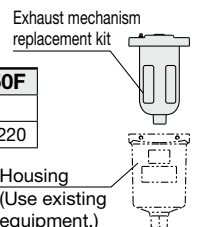
Specifications		Model	IDF100F-30	IDF125F-30	IDF150F-30	
Operating range ^{*3}	Fluid		Compressed air			
	Inlet air temperature [°C]		5 to 60			
	Inlet air pressure [MPa]		0.15 to 1.0 ^{*8}			
	Ambient temperature (Humidity) [°C]		2 to 45 (Relative humidity 85% or less)			
Rated conditions ^{*4}	Air flow capacity [m ³ /min]	Standard condition (ANR) ^{*1}	50 Hz	16	20.1	25
			60 Hz	18.8	23.7	30
	Compressor intake condition ^{*2}		50 Hz	17	21	27
			60 Hz	20	25	32
	Inlet air pressure [MPa]		0.7			
	Inlet air temperature [°C]		40			
	Ambient temperature [°C]		32			
	Outlet air pressure dew point [°C]		10			
	Exhaust heat from condenser (50/60 Hz) [kW]		8.0/9.0	10.0/11.5	12.0/15.0	
	Air dryer outlet air temperature [°C]		37			
Power supply voltage (Frequency)		Three-phase 200 VAC (50 Hz), 200/220 VAC (60 Hz)				
Electric specifications	Power consumption [kW] 50/60 Hz ^{*5}		2.9/3.5	4.0/4.7	4.0/4.8	
	Operating current ^{*5} [A] 50/60 Hz		10.5/11.5	15.4/15.6	15.7/16.0	
Applicable earth leakage capacity ^{*6} (Sensitivity of leak current of 30 mA) [A]		30				
Refrigerant		R407C (HFC)				
Refrigerant charge [kg]		1.1	1.6	1.98		
Auto drain		Heavy-duty auto drain (Normally open)				
Port size		R2	JIS Flange 65A 10K	JIS Flange 80A 10K		
Weight [kg]		245	270	350		
Applicable air compressor output (Reference) For screw type [kW]		100	125	150		

- *1 Air flow capacity under the standard condition (ANR) [20°C, Atmospheric pressure, and 65% Relative humidity]
- *2 Air flow capacity converted by the compressor intake condition [32°C, Atmospheric pressure, relative humidity 75%]
- *3 The operation range does not guarantee the use with normal air flow capacity.
- *4 Select the model in accordance with Model Selection (pages 7, 8) for models beyond the rated specifications.
- *5 These values are reference values under rated conditions, and are not guaranteed. Do not use these values for the thermal set values, etc.
- *6 Product other than the Option R is not equipped with an earth leakage breaker. Purchase an appropriate earth leakage breaker separately.

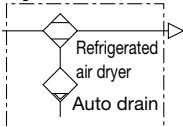
Replacement Parts

Air dryer model	IDF100F	IDF125F	IDF150F
Heavy-duty auto drain replacement part no. ^{*7}	ADH-E400		
Dustproof filter set for condenser	IDF-FL219	IDF-FL220	

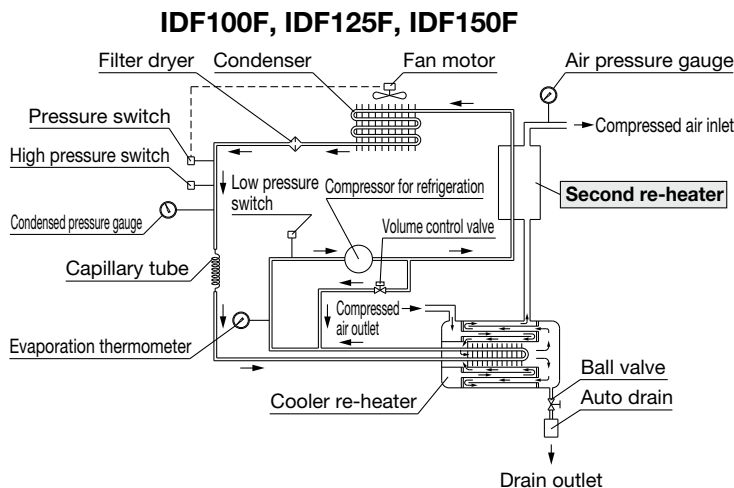
- *7 Part number of only the exhaust mechanism replacement kit excluding the housing
- *8 The maximum operating pressure is 1.0 MPa as standard, but it is possible to achieve 1.6 MPa when selecting Option K.
- * A terminal block for remote operation, stop, operating, and error signal is included as standard equipment.



Symbol



Construction (Air/Refrigerant Circuit)



Hot and humid air entering the air dryer is cooled down by the cooler re-heater (heat exchanger). The moisture which is condensed and separated is automatically exhausted by the auto drain. The air which has had its moisture removed is heated in two stages by the re-heater (heat exchanger) in the cooler re-heater and by the second re-heater, and is supplied to the outlet side as warm and dry air.

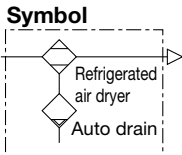
Second re-heater

Compressed air from which drainage has been exhausted exchanges heat with refrigerant which has been compressed by the compressor for refrigeration, to give the following effects:

1. The outlet air temperature increases, preventing condensation of the piping on the outlet side.
2. The amount of heat exhausted from the condenser is reduced.
3. Energy saving operation of the air dryer is achieved by reducing the amount of heat exhausted from the condenser.

Refrigerated Air Dryer **IDF100F/125F/150F Series**

Standard Specifications: Water-cooled Type



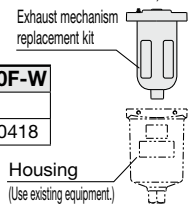
Specifications		Model	IDF100F-30-W	IDF125F-30-W	IDF150F-30-W	
Operating range ^{§3}	Fluid		Compressed air			
	Inlet air temperature	[°C]	5 to 60			
	Inlet air pressure	[MPa]	0.15 to 1.0 *10			
	Ambient temperature (Humidity)	[°C]	2 to 45 (Relative humidity 85% or less)			
Rated conditions	Air flow capacity [m ³ /min]	Standard condition (ANR) *1	50 Hz	16	20.1	25
		Compressor intake condition *2	60 Hz	18.8	23.7	30
	50 Hz		17	21	27	
	60 Hz	20	25	32		
	Inlet air pressure	[MPa]	0.7			
	Inlet air temperature	[°C]	40			
	Ambient temperature	[°C]	32			
	Outlet air pressure dew point	[°C]	10			
	Air dryer outlet air temperature	[°C]	37			
	Facility water flow rate *4 (50/60 Hz)	[m ³ /h]	1.29/1.56	1.74/1.98	2.16/2.52	
Facility water inlet temperature	[°C]	32				
Facility water pressure drop *5 (50/60 Hz)	[MPa]	0.07/0.1				
Cooling tower capacity *6	[kW(RT)]	9 (2)	11.5 (2.5)	14.5 (3.2)		
Recommended chiller model *6 (made by SMC)		HRS100-A	HRS150-A			
Electric specifications	Power supply voltage (Frequency)		Three-phase 200 VAC (50 Hz), 200/220 VAC (60 Hz)			
	Power consumption [kW] 50/60 Hz *7		2.4/2.8	2.4/2.8	2.8/3.3	
	Operating current [A] 50/60 Hz *7		8.5/9.0	8.5/9.0	10.2/11.5	
	Facility water pressure range	[MPa]	0.2 to 0.98			
	Required facility water flow rate (50/60 Hz)	[m ³ /h]	1.29/1.56	1.74/1.98	2.16/2.52	
	Facility water inlet temperature range	[°C]	5 to 40			
	Facility water port size		R1/2		R3/4	
	Facility water amount adjusting equipment		Pressure type water regulating valve			
	Condenser		Plate type			
	Applicable earth leakage capacity *8 (Sensitivity of leak current of 30 mA)	[A]	20		30	
Refrigerant		R407C (HFC)				
Refrigerant charge	[kg]	0.9	1.2	1.5		
Auto drain		Heavy-duty auto drain (Normally open)				
Port size		R2	JIS Flange 65A 10K	JIS Flange 80A 10K		
Weight	[kg]	226	250	322		
Applicable air compressor output (Reference) For screw type	[kW]	100	125	150		

- *1 Air flow capacity under the standard condition (ANR) [20°C, Atmospheric pressure, and 65% Relative humidity]
- *2 Air flow capacity converted by the compressor intake condition [32°C, Atmospheric pressure, relative humidity 75%]
- *3 The operation range does not guarantee the use with normal air flow capacity. Select the model in accordance with Model Selection (pages 7, 8) for models beyond the rated specifications.
- *4 The facility water flow rate that satisfies the rated conditions with a facility water inlet temperature of 32°C and an outlet temperature of 37°C (Δt = 5°C)
- *5 These values are obtained under rated conditions with a rated facility water flow rate and a facility water inlet pressure of 0.2 MPa.
- *6 These values are obtained under rated conditions (1 RT = 4,535 kW).
- *7 These values are reference values under rated conditions, and are not guaranteed. Do not use these values for the thermal set values, etc.
- *8 Product other than the Option R is not equipped with an earth leakage breaker. Purchase an appropriate earth leakage breaker separately.

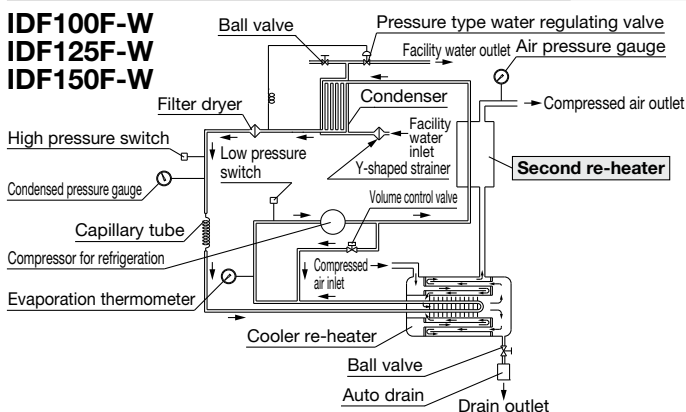
Replacement Parts

Air dryer model	IDF100F-W	IDF125F-W	IDF150F-W
Heavy-duty auto drain replacement part no. *9	ADH-E400		
Facility water piping strainer	IDF-S0406	IDF-S0418	

- *9 Part number of only the exhaust mechanism replacement kit excluding the housing
- *10 The maximum operating pressure is 1.0 MPa as standard, but it is possible to achieve 1.6 MPa when selecting Option K.
- * A terminal block for remote operation, stop, operating, and error signal is included as standard equipment.



Construction (Air/Refrigerant Circuit)



Hot and humid air entering the air dryer is cooled down by the cooler re-heater (heat exchanger). The moisture which is condensed and separated is automatically exhausted by the auto drain. The air which has had its moisture removed is heated in two stages by the re-heater (heat exchanger) in the cooler re-heater and by the second re-heater, and is supplied to the outlet side as warm and dry air.

Second re-heater

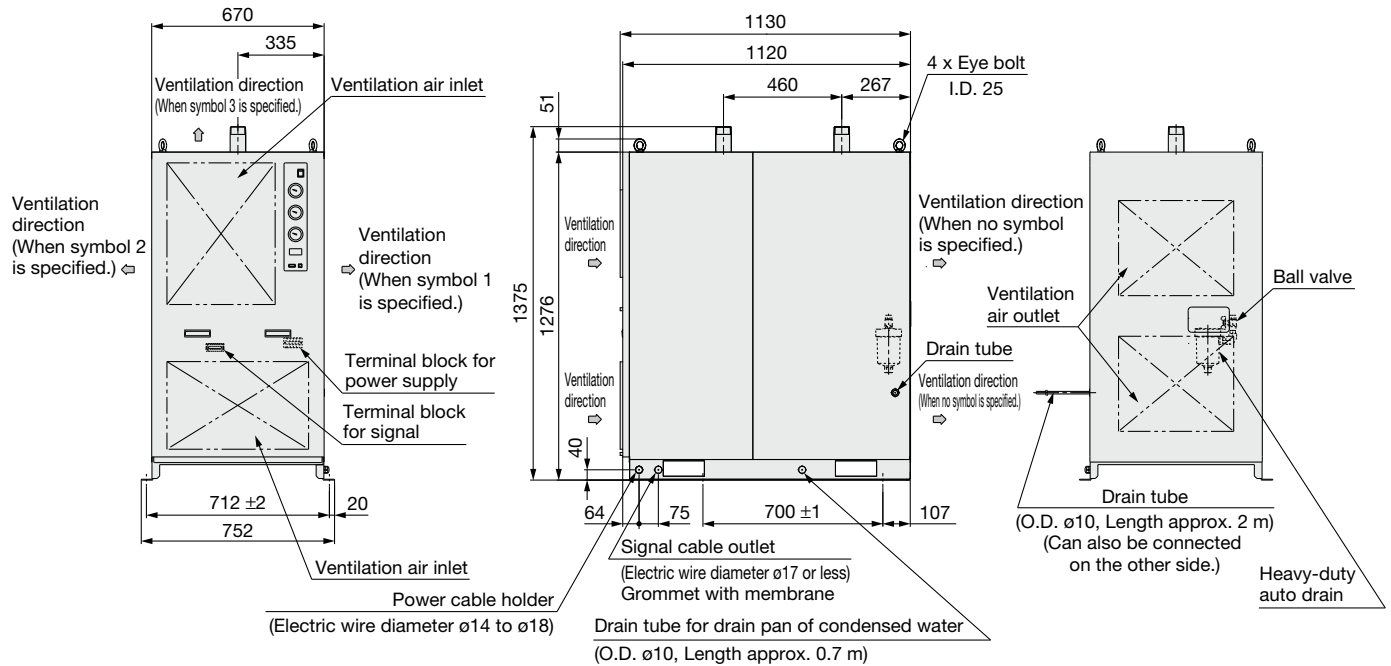
Compressed air from which drainage has been exhausted exchanges heat with refrigerant which has been compressed by the compressor for refrigeration, to give the following effects:

1. The outlet air temperature increases, preventing condensation of the piping on the outlet side.
2. The amount of heat exhausted from the condenser is reduced.
3. Energy saving operation of the air dryer is achieved by reducing the amount of heat exhausted from the condenser.

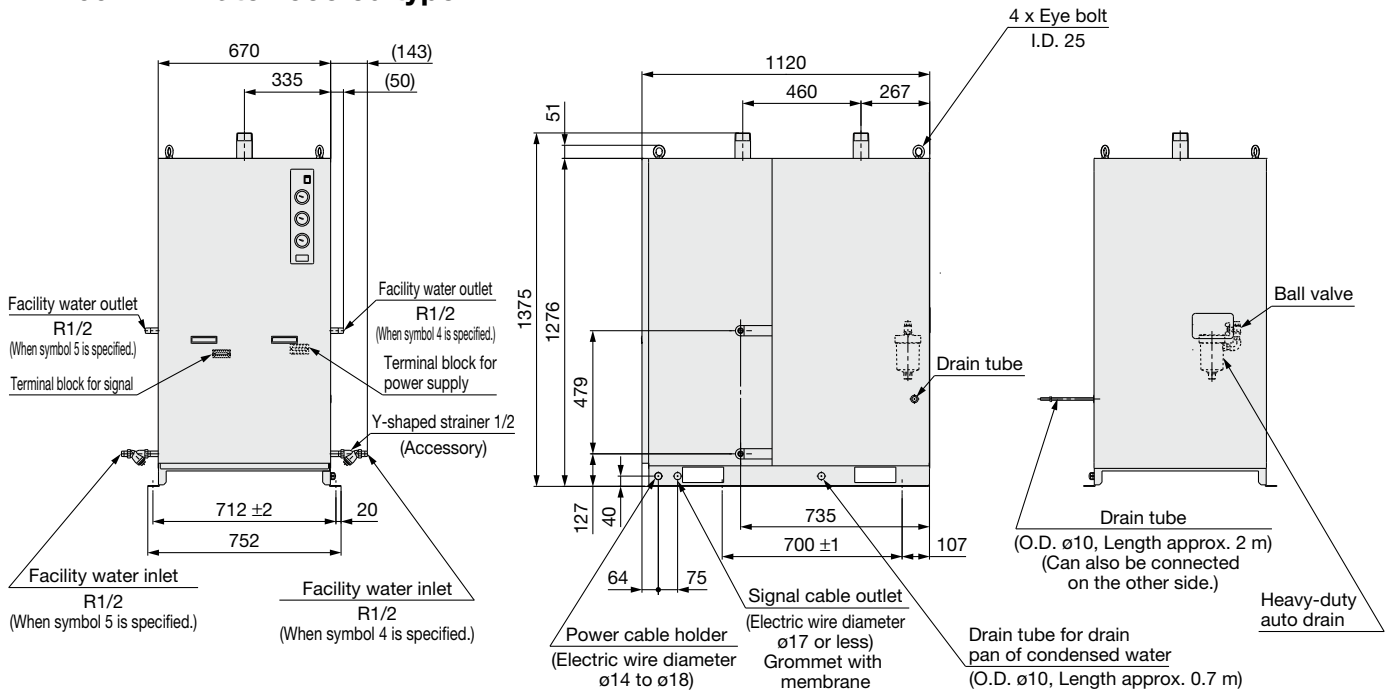
IDF100F/125F/150F Series

Dimensions

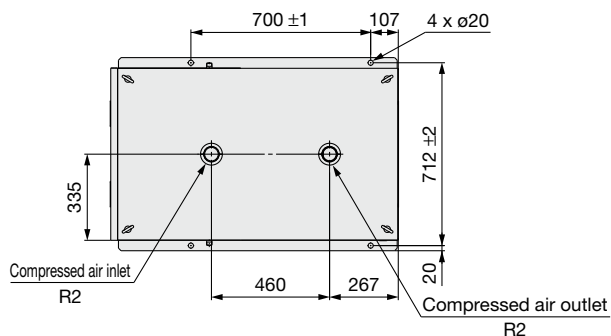
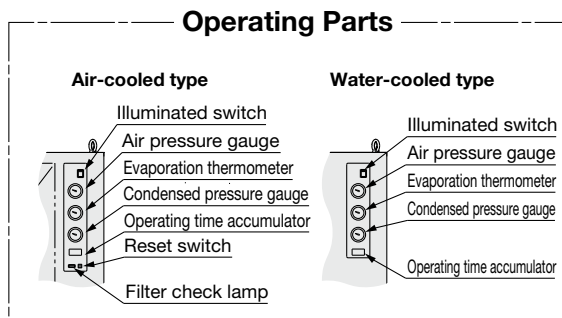
IDF100F: Air-cooled type



IDF100F-W: Water-cooled type



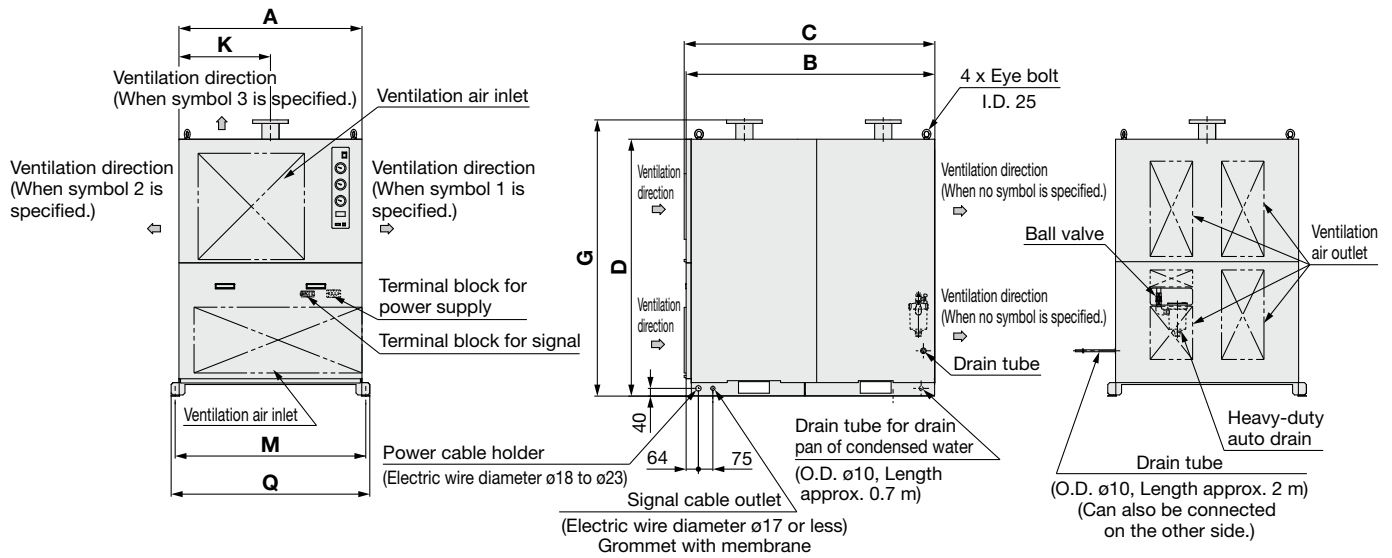
Top view (Air-cooled/Water-cooled)



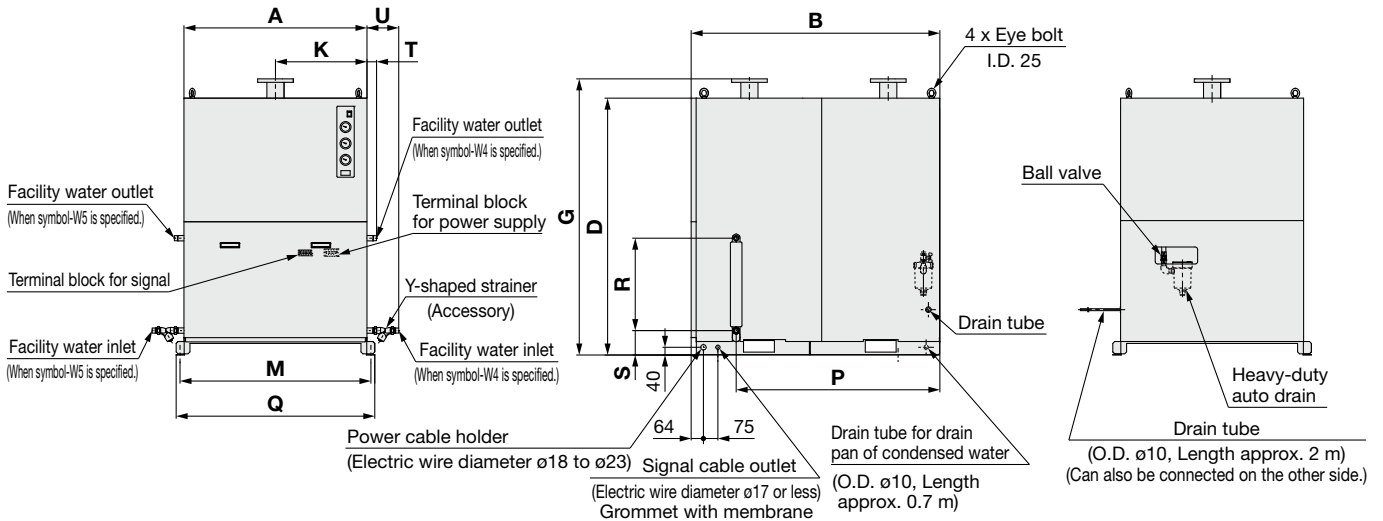
Refrigerated Air Dryer **IDF100F/125F/150F Series**

Dimensions

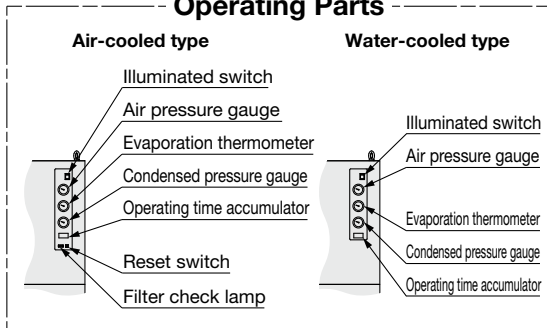
IDF125F/150F: Air-cooled type



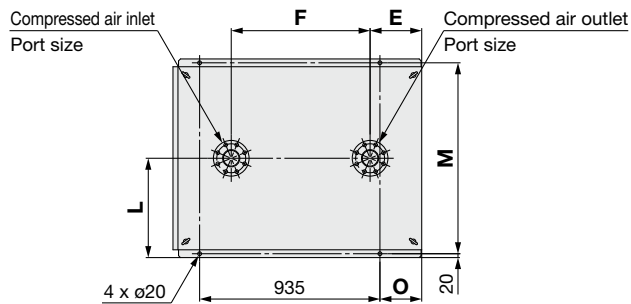
IDF125F-W/150F-W: Water-cooled type



Operating Parts



Top view (Air-cooled/Water-cooled)



Dimensions

Model	Port size	A	B	C	D	E	F	G	K	L	M	O	P	Q	R	S	T	U	Facility water inlet/outlet
IDF125F	JIS Flange	700	1120	1130	1276	267	655	1375	350	376	712	78	—	752	—	—	—	—	—
IDF125F-W	65A 10K			1120									885						
IDF150F	JIS Flange	950	1290	1300	1332	268	720	1432	475	515	990	217	—	1030	—	—	—	—	—
IDF150F-W	80A 10K			1290									1056						

Model Selection

Refrigerant R134a (HFC) **IDF□□E**

Refrigerant R410A (HFC) **IDF□□**

Refrigerant R407C (HFC) **IDF□□F**

Refrigerant R407C (HFC) **IDF□□D**

Refrigerant R134a (HFC) **IDU□□E**

Refrigerant R407C (HFC) **IDU□□E**

Options

Optional Accessories

Specific Product Precautions

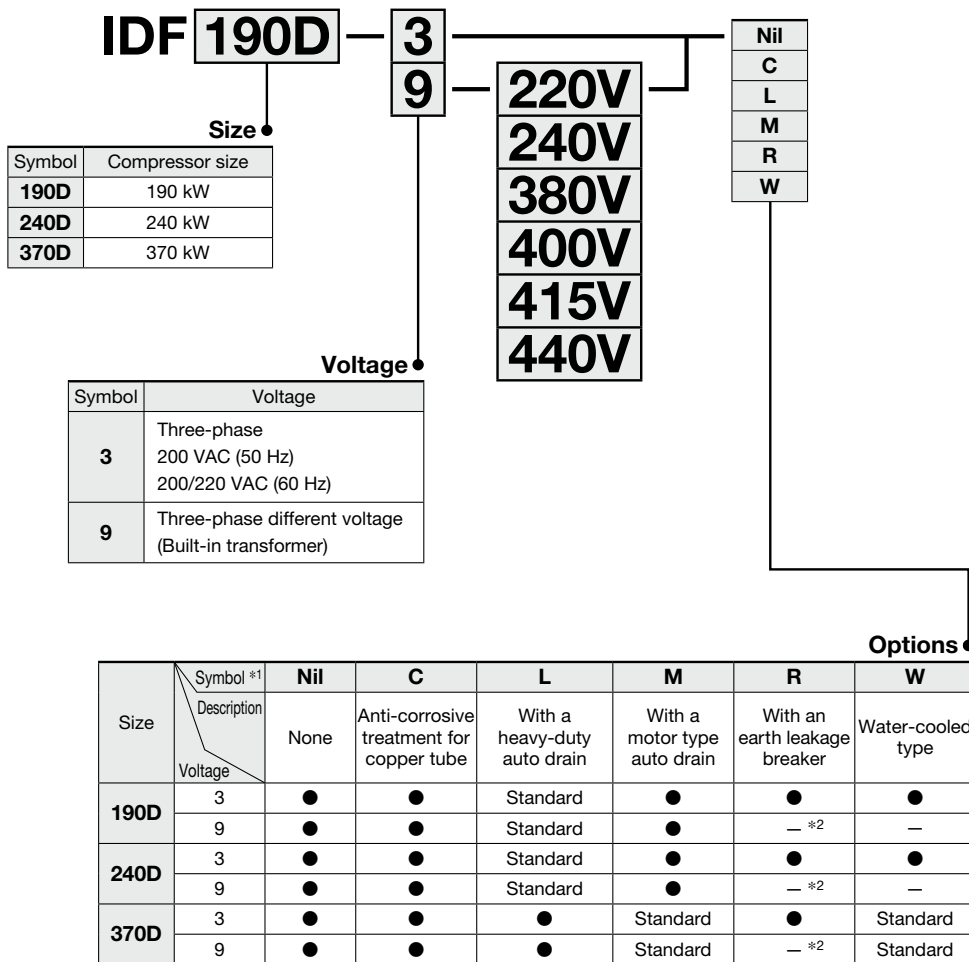
Refrigerant R407C (HFC) Standard Inlet Air Temperature **IDF □ D Series**

190D, 240D, 370D

(Inlet air temperature: 40°C (190D, 240D), 35°C (370D),
Outlet air pressure dew point: 10°C)

How to Order

Refrigerant R407C
IDF190D to IDF370D



*1 When multiple options are combined, indicate symbols in alphabetical order.

*2 Purchase an appropriate earth leakage breaker suitable for the inlet voltage separately.

* Refer to pages 28 to 33 for further information on options.

* The standard type (Nil) is equipped with a terminal block for remote operation, stop, operating, and error signals.

Standard Specifications

Specifications		Model	Standard inlet air temperature			
			IDF190D	IDF240D	IDF370D	
Operating range ^{*3}	Fluid		Compressed air			
	Inlet air temperature [°C]		5 to 50			
	Inlet air pressure [MPa]		0.15 to 0.97			
	Ambient temperature (Humidity) [°C]		2 to 40 (Relative humidity 85% or less)		2 to 43 (Relative humidity 85% or less)	
Rated conditions ^{*4}	Air flow capacity [m ³ /min]	Standard condition	50 Hz	32	43	54
		(ANR) ^{*1}	60 Hz	38	50	65
	Compressor intake condition ^{*2}	50 Hz	34	46	57	
		60 Hz	40	53	69	
	Inlet air pressure [MPa]		0.7			
	Inlet air temperature [°C]		40			
	Ambient temperature [°C]		32			
Outlet air pressure dew point [°C]		10				
Power supply voltage (Frequency) ^{*5}		Three-phase: 200 VAC (50 Hz), 200/220 VAC (60 Hz)		Three-phase: 200 VAC (50/60 Hz)		
Electric specifications	Power consumption [kW]	Three-phase 50/60 Hz ^{*6}	4.9	6.3	11.6	
	Operating current [A]	Three-phase 200 V	5.9	7.6	11.6	
		Three-phase 200 V	19.5	26.1	36.5	
		20.1	26.4	36.5		
Applicable earth leakage capacity ^{*7} (Sensitivity of leak current of 30 mA) [A]			50			
Condenser			Air-cooled		Water-cooled	
Air re-heater/Air cooler			Class 2 pressure vessel			
Refrigerant			R407C (HFC)			
Refrigerant charge [kg]			2.48	4.5	11.0	
Auto drain			ADH4000-04		ADM200-042-8	
Port size ^{*8}			80A (3B) Flange	100A (4B) Flange	150A (6B) Flange	
Weight [kg]			450	660	1100	
Applicable air compressor output (Reference) For screw type [kW]			190	240	370	

- *1 Air flow capacity under the standard condition (ANR) [20°C, Atmospheric pressure, and 65% Relative humidity]
- *2 Air flow capacity converted by the compressor intake condition [32°C, Atmospheric pressure, and 75% Relative humidity]
- *3 The operation range does not guarantee the use with normal air flow capacity.
- *4 Select the model in accordance with Model Selection (pages 7, 8) for models beyond the rated specifications.
- *5 When selecting a power supply voltage, refer to the How to Order on page 19.
- *6 These values are reference values under rated conditions, and are not guaranteed. Do not use these values for the thermal set values, etc.
- *7 Product other than the Option R is not equipped with an earth leakage breaker. Purchase an appropriate earth leakage breaker separately.
- *8 JIS 10K FF is used as a flange.

Water-cooled Condenser (IDF370D)

Condenser	Shell and tube type
Cooling water flow rate ^{*1}	6 m ³ /h
Cooling tower performance ^{*2}	10 RT
Water flow regulator	Pressure type automatic water supply valve
Port size for water side	1 1/4 union

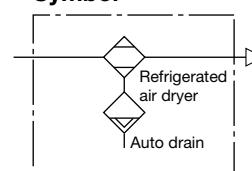
*1 Value with rated load when cooling water inlet temperature is 32°C.

*2 Calculated at 1 RT = 4,535 kW

Motor Type Auto Drain

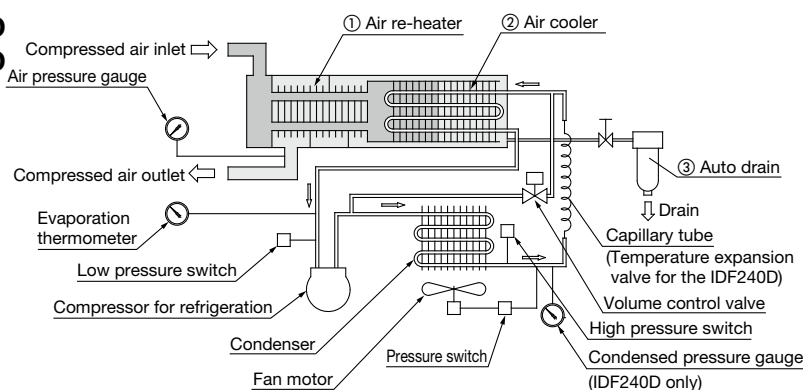
Model	Operating cycle
IDF370D	4 times per minute for 8 seconds every one minute
Power supply	200 VAC 50/60 Hz
Power consumption	4 W

Symbol

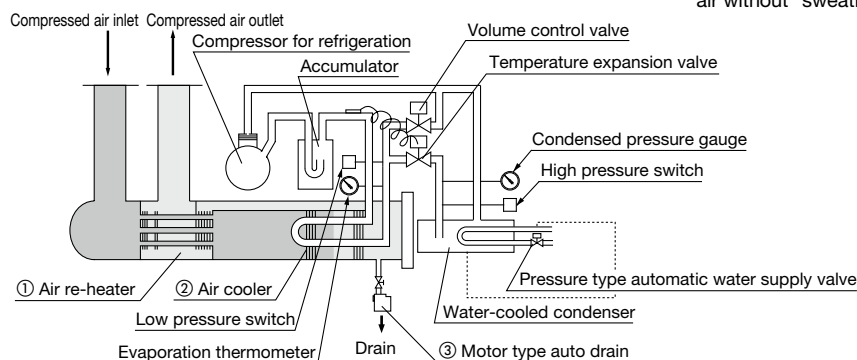


Construction (Air/Refrigerant Circuit)

IDF190D IDF240D



IDF370D

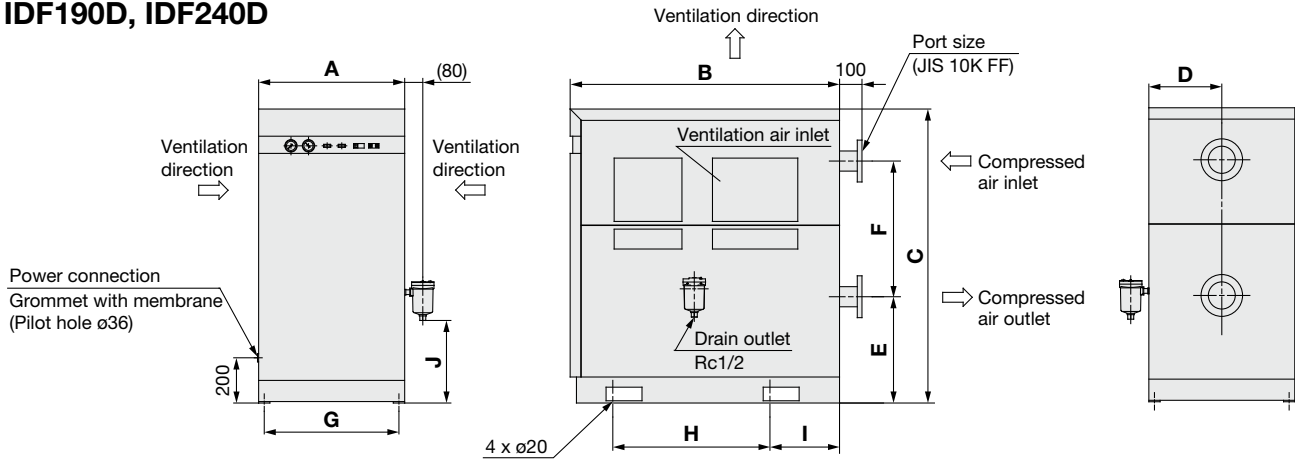


High temperature humid air from the air compressor passes through the air re-heater ① and is pre-cooled by dehumidified cool air. Then, it is cooled to the specified temperature by the air cooler ② using the evaporation heat of refrigerant.

At this time, the oil mist and moisture generated by condensation are automatically exhausted by the auto drain ③. The cooled and dehumidified air goes back to the air re-heater ① and heat is exchanged with hot air that flows into the air re-heater. It is supplied as dry warm air without "sweating" in the piping system.

Dimensions

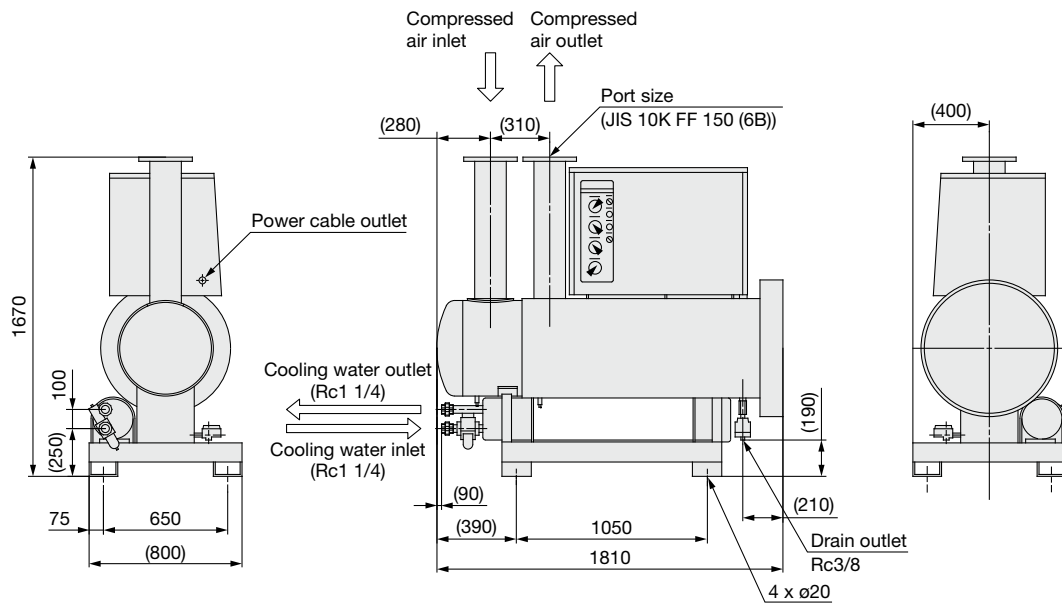
IDF190D, IDF240D



[mm]											
Model	Inlet and outlet port	A	B	C	D	E	F	G	H	I	J
IDF190D	JIS 10K FF 80 (3B) Flange	750	1510	1320	375	480	600	700	800	355	427
IDF240D	JIS 10K FF 100 (4B) Flange	770	1550	1640	385	703	730	700	800	355	467

* The auto drain is enclosed in the same shipping package as the main body. Customers are required to mount the auto drain to the air dryer.

IDF370D



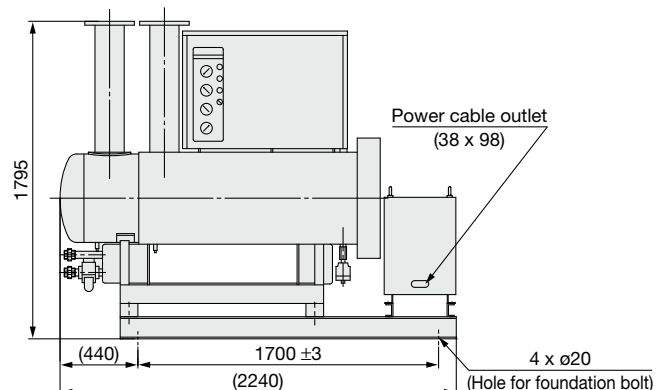
Power Transformer Integrated Type

IDF370D

The power transformer marked with the voltage symbol "9" is integrated into the refrigerated air dryer.

IDF190D to 240D

The power transformer marked with the voltage symbol "9" is built into the main body, and the outside dimensions are the same as those with the voltage symbol "3."

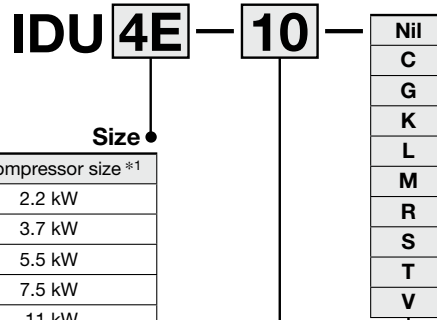


Refrigerant R134a (HFC) High Inlet Air Temperature **IDU□E Series**

3E, 4E, 6E, 8E, 11E, 15E1

(Max. inlet air temperature: 80°C, Max. ambient temperature: 40°C)

How to Order



Symbol	Air compressor size *1
3E	2.2 kW
4E	3.7 kW
6E	5.5 kW
8E	7.5 kW
11E	11 kW
15E1	15 kW

*1 Note that the above values are for reference only. Check the actual compressor capacity.

Symbol	Voltage	Applicable size					
		3E	4E	6E	8E	11E	15E1
10	Single-phase 100 VAC (50 Hz)	●	●	●	●	●	●
	100/110 VAC (60 Hz)						
20	Single-phase 200 VAC (50 Hz)	●	●	●	●	●	●
	200/220 VAC (60 Hz)						
23	Single-phase 230 VAC (50 Hz)	●	●	●	●	●	●

Symbol *1	Options									
	Nil	C	G	K	L	M	R	S	T	V
Description	None	Anti-corrosive treatment for copper tube	With Chinese labels and a Chinese operation manual	Moderate pressure specification *2 (Auto drain bowl: Metal bowl with level gauge)	With a heavy-duty auto drain (applicable to moderate pressure) *2	With a motor type auto drain (Voltage symbol 10, 20 only)	With an earth leakage breaker	Power supply terminal block connection (Voltage symbol 10 only) *3	With a terminal block for power supply, operating, and error signals	With a timer controlled solenoid valve type auto drain (Voltage symbol 23 only) (applicable to moderate pressure) *2
Size										
3E	●	●	●	●	●	●	●	●	●	●
4E	●	●	●	●	●	●	●	●	●*4	●
6E	●	●	●	●	●	●	●	●	●*4	●
8E	●	●	●	●	●	●	●	●	●*4	●
11E	●	●	●	●	●	●	●	●	●*4	●
15E1	●	●	●	●	●	●	●	●	●*4	●

*1 When multiple options are combined, indicate symbols in alphabetical order.

However, the following combinations are not possible.

- R and S (Because S function is also included in R.)
- S and T (Because S function is also included in T.)

· The combination of K, L, M and V is not possible because an auto drain can only be attached to a single option.

*2 The maximum operating pressure is 1.6 MPa.

*3 Voltage symbol 20 (200 VAC) and 23 (230 VAC) are the terminal block connection as standard. The Option S cannot be chosen. Voltage symbol 10 (100 VAC) is the power cable with plug as standard.

*4 To users who are considering switching from the previous air dryer:

When switching from the previous air dryer and remote operation are required, select the Made to Order (IDU□E-□-X256) product.

* Refer to pages 28 to 32 for further information on options.

Model Selection

Refrigerant R134a (HFC)
IDF□E

Refrigerant R410A (HFC)
IDF

Refrigerant R407C (HFC)
IDF□F

Refrigerant R407C (HFC)
IDF□D

Refrigerant R134a (HFC)
IDU□E

Refrigerant R407C (HFC)
IDU□E

Options

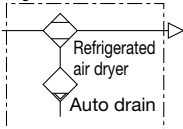
Optional Accessories

Specific Product Precautions

Standard Specifications



Symbol



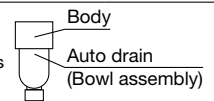
Specifications		Model						
		IDU3E	IDU4E	IDU6E	IDU8E	IDU11E	IDU15E1	
Operating range ^{*3}	Fluid	Compressed air						
	Inlet air temperature [°C]	5 to 80						
	Inlet air pressure [MPa]	0.15 to 1.0 ^{*10}						
	Ambient temperature (Humidity) [°C]	2 to 40 (Relative humidity 85% or less)						
Air flow capacity [m ³ /min]	Standard condition (ANR) ^{*1}	50 Hz	0.32	0.52	0.75	1.1	1.5	2.6
		60 Hz	0.37	0.57	0.82	1.2	1.7	2.8
	Compressor intake condition ^{*2}	50 Hz	0.34	0.55	0.8	1.2	1.6	2.8
		60 Hz	0.39	0.61	0.87	1.3	1.8	3.0
Rated conditions ^{*4}	Inlet air pressure [MPa]	0.7						
	Inlet air temperature [°C]	55						
	Ambient temperature [°C]	32						
	Outlet air pressure dew point [°C]	10						
	Power supply voltage (Frequency) ^{*5}	Single-phase: 100 VAC (50 Hz), 100/110 VAC (60 Hz) ^{*5} Single-phase: 200 VAC (50 Hz), 200/220 VAC (60 Hz) Single-phase: 230 VAC ±10% (50 Hz)						
Electric specifications ^{*4}	Power consumption [W]	Single-phase 100 V	180/202	208/236	385/440	250/290 ^{*7}	425/470 ^{*7}	460/530 ^{*7}
		Single-phase 200 V						
	Operating current [A]	100 V	2.4/2.5	3.0/3.1	5.7/5.7	3.4/3.5	5.7/6.0	4.6/4.9
		200 V	1.2/1.3	1.5/1.5	3.4/3.0	1.7/1.7	3.5/3.2	3.6/3.4
Applicable earth leakage breaker capacity ^{*8} (Sensitivity of leak current of 30 mA) [A]	10 (100 VAC), 5 (200 VAC, 230 VAC)						10 (100 VAC) 10 (200 VAC)	
	Refrigerant	R134a (HFC)						
	Refrigerant charge [kg]	Single-phase 100 V	0.2	0.25	0.26	0.28	0.29	0.35
Single-phase 200 V		0.2	0.25	0.26	0.28	0.29	0.35	
Single-phase 230 V		0.23	0.27	0.29	0.28	0.29	0.35	
Auto drain	Float type (Normally open)							
Port size		Rc3/8	Rc1/2	Rc3/4		Rc1		
Weight [kg]		23	27	28	44	47	71	
Applicable air compressor output (Reference) For screw type [kW]		2.2	3.7	5.5	7.5	11	15	

- *1 Air flow capacity under the standard condition (ANR) [20°C, Atmospheric pressure, and 65% Relative humidity]
- *2 Air flow capacity converted by the compressor intake condition [32°C, Atmospheric pressure, and 75% Relative humidity]
- *3 The operation range does not guarantee the use with normal air flow capacity.
- *4 Select the model in accordance with Model Selection (pages 7, 8) for models beyond the rated specifications.
- *5 When selecting a power supply voltage, refer to the How to Order on page 22.
- *6 These values are reference values under rated conditions, and are not guaranteed. Do not use these values for the thermal set values, etc.
- *7 For the IDU8E to 15E1, cooling with the aftercooler helps reduce power consumption by up to 50%.
- *8 Product other than the Option R is not equipped with an earth leakage breaker. Purchase an appropriate earth leakage breaker separately.

Replacement Parts

Model		IDU3E	IDU4E	IDU6E	IDU8E	IDU11E	IDU15E1
Auto drain replacement parts no. ^{*9}	New	AD48-A					
	Previous	AD48					

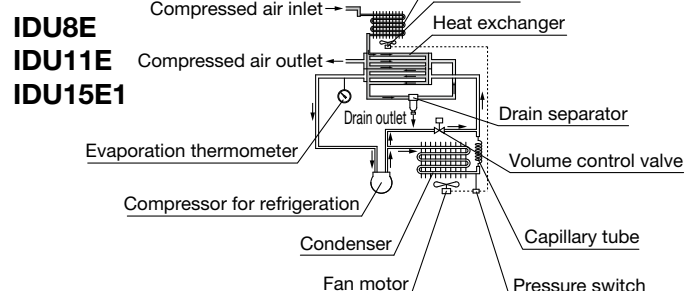
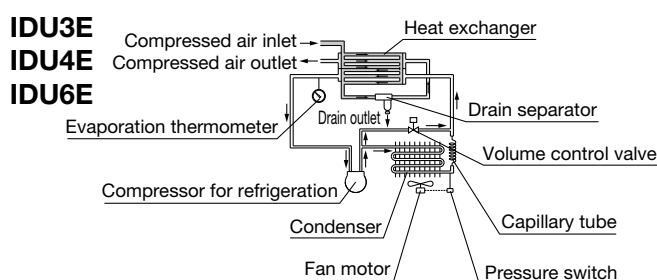
- *9 The part number for the auto drain (Bowl assembly) components only excluding the body part. Body part replacement is not possible. In addition, a new line of auto drain models was recently introduced in March 2019. The previous models and the new models do not have mounting interchangeability. For details, refer to page 43.



- *10 The maximum operating pressure is 1.0 MPa as standard, but it is possible to achieve 1.6 MPa when selecting Option K, Option L, or Option V.

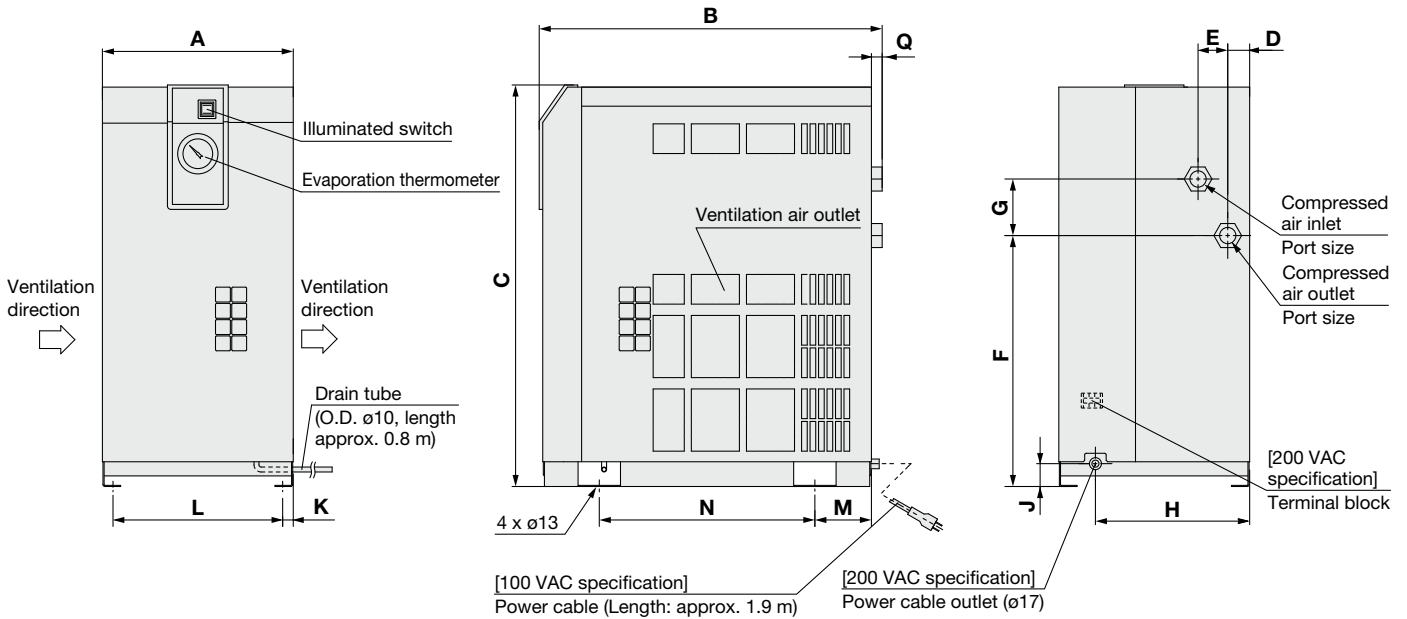
Construction (Air/Refrigerant Circuit)

Humid, hot air coming into the air dryer will be cooled down by a heat exchanger. Water condensed at this time will be removed from the air by a drain separator and drained out automatically. Air separated from the water will be heated by a heat exchanger to obtain the dried air, which goes through to the outlet side. For models IDU8E to 15E1, the humid and hot air introduced to the air dryer will be cooled down by the aftercooler before being cooled down by the heat exchanger.



Dimensions

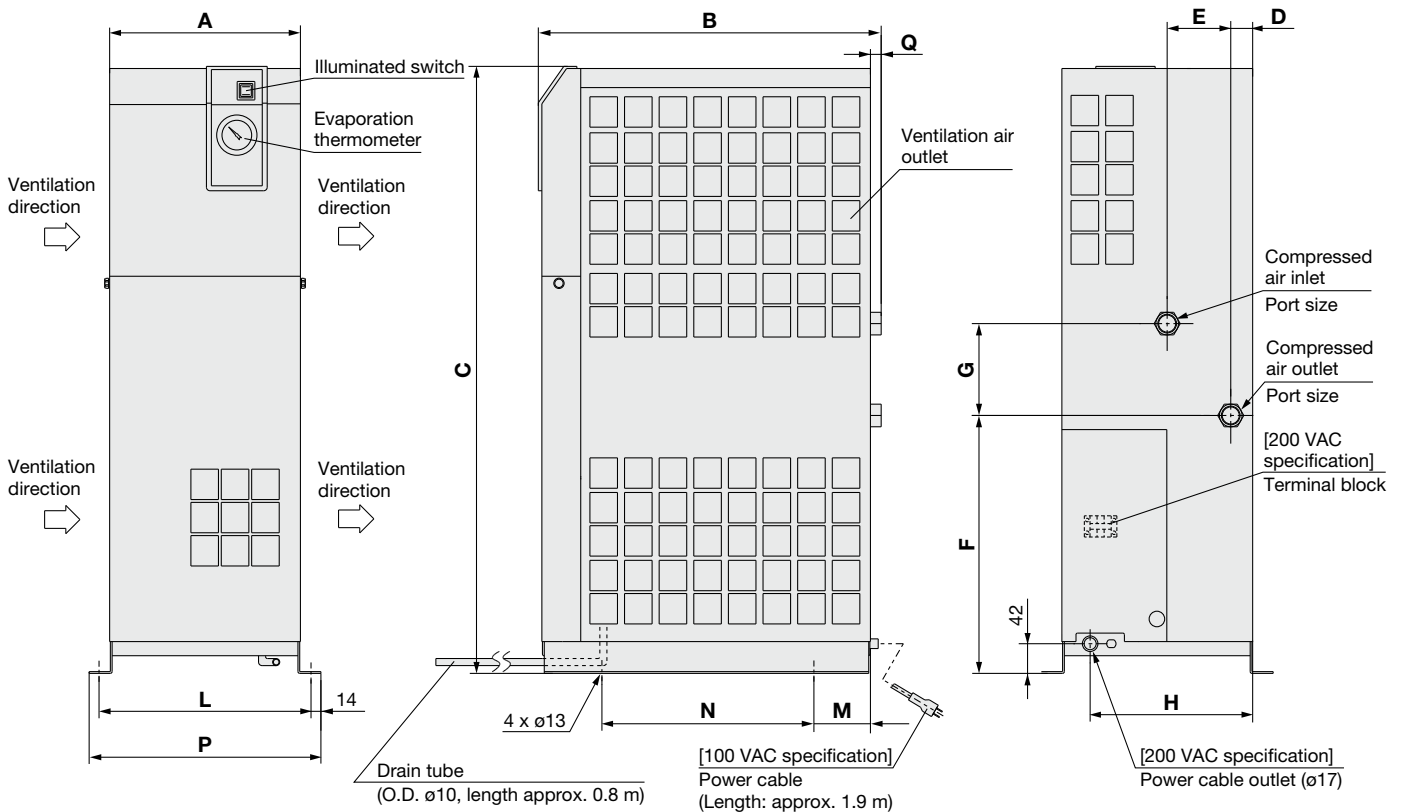
IDU3E to IDU6E



Dimensions

Model	Port size	A	B	C	D	E	F	G	H	J	K	L	M	N	Q
IDU3E	Rc3/8	270	455	498	31	42	283	80	230	32	15	240	80	275	15
IDU4E	Rc1/2		483	568			355							300	13
IDU6E	Rc3/4		485											300	15

IDU8E to IDU15E1



Dimensions

Model	Port size	A	B	C	D	E	F	G	H	L	M	N	P	Q
IDU8E	Rc3/4	270	485	859	31	90	365	130	230	300	80	300	328	15
IDU11E				909										
IDU15E1	Rc1	300	620	960	79	54	425	93	258	330	66	470	358	16

Model Selection

Refrigerant R134a (HFC) IDU□E

Refrigerant R410A (HFC) ID□F

Refrigerant R407C (HFC) ID□F

Refrigerant R407C (HFC) ID□D

Refrigerant R134a (HFC) IDU□E

Refrigerant R407C (HFC) IDU□E

Options

Optional Accessories

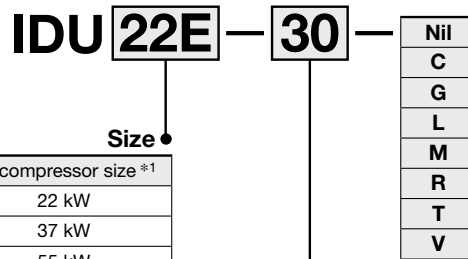
Specific Product Precautions

Refrigerant R407C (HFC) High Inlet Air Temperature **IDU□E Series**

22E, 37E, 55E, 75E

(Max. inlet air temperature: 80°C, Max. ambient temperature: 40°C)

How to Order



Symbol	Air compressor size *1
22E	22 kW
37E	37 kW
55E	55 kW
75E	75 kW

*1 Note that the above values are for reference only. Check the actual compressor capacity.

Symbol	Voltage
23	Single-phase 230 VAC (50 Hz)
30	Three-phase 200 VAC (50 Hz) 200/220 VAC (60 Hz)

Symbol *1	Nil	C	G	L	M	R	T	V
Description	None	Anti-corrosive treatment for copper tube	With Chinese labels and a Chinese operation manual	With a heavy-duty auto drain (applicable to moderate pressure *2)	With a motor type auto drain (Voltage symbol 30 only)	With an earth leakage breaker	With a terminal block for power supply, operating, and error signals *3	With a timer controlled solenoid valve type auto drain (Voltage symbol 23 only) (applicable to moderate pressure *2)
Size								
22E	●	●	●	●	●	●	●	●
37E	●	●	●	●	●	●	●	●
55E	●	●	●	●	●	●	●	●
75E	●	●	●	●	●	●	●	●

*1 When multiple options are combined, indicate symbols in alphabetical order. However, the following combinations are not possible.

· The combination of L, M and V is not possible because an auto drain can only be attached to a single option.

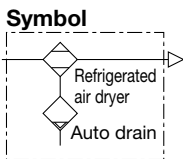
*2 The maximum operating pressure is 1.6 MPa.

*3 **To users who are considering switching from the previous air dryer:**

When switching from the previous air dryer and remote operation are required, select the Made to Order (IDU□E-□-X256) product.

* Refer to pages 28 to 32 for further information on options.

Standard Specifications



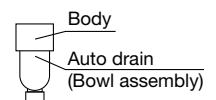
Specifications		Model						
		IDU22E	IDU37E	IDU55E	IDU75E			
Operating range ^{*3}	Fluid	Compressed air						
	Inlet air temperature [°C]	5 to 80						
	Inlet air pressure [MPa]	0.15 to 1.0 ^{*9}						
	Ambient temperature (Humidity) [°C]	2 to 40 (Relative humidity 85% or less)						
Rated conditions ^{*4}	Air flow capacity [m ³ /min]	Standard condition	50 Hz	3.9	5.7	8.4	11.0	
		(ANR) ^{*1}	60 Hz	4.3	6.1	9.8	12.5	
	Compressor intake condition ^{*2}	50 Hz	4.1	6.1	8.9	11.7		
		60 Hz	4.6	6.5	10.4	13.3		
	Inlet air pressure [MPa]	0.7						
	Inlet air temperature [°C]	55						
Ambient temperature [°C]	32							
Outlet air pressure dew point [°C]	10							
Power supply voltage (Frequency)	Single-phase: 230 VAC ±10% (50 Hz)							
	Three-phase: 200 VAC (50 Hz)							
	Three-phase: 200/220 VAC (60 Hz)							
Electric specifications	Power consumption [W]	Three-phase 200 V	1100/1450		1570/2050		2200/2850	
	50/60 Hz ^{*5, *7}	Single-phase 230 V (50 Hz)	960		1570		2300	
	Operating current [A]	Three-phase 200 V	4.2/4.8		6.7/7.3		8.2/9.3	
		50/60 Hz ^{*5}	Single-phase 230 V (50 Hz)	4.3		6.9		10.7
Applicable earth leakage breaker capacity ^{*6} (Sensitivity of leak current of 30 mA) [A]	Three-phase 200 V	10		15		20		
	Single-phase 230 V (50 Hz)	10		15		20		
Refrigerant	R407C (HFC)							
Refrigerant charge [kg]	Three-phase 200 V	0.47	0.83	0.55	0.745			
	Single-phase 230 V	0.45	0.76	0.55	0.745			
Auto drain	Float type (Normally open)							
Port size	R1		R1 1/2	R2				
Weight [kg]	90		130	160		166		
Applicable air compressor output (Reference) For screw type [kW]	22		37	55		75		

- *1 Air flow capacity under the standard condition (ANR) [20°C, Atmospheric pressure, and 65% Relative humidity]
- *2 Air flow capacity converted by the compressor intake condition [32°C, Atmospheric pressure, and 75% Relative humidity]
- *3 The operation range does not guarantee the use with normal air flow capacity.
- *4 Select the model in accordance with Model Selection (pages 7, 8) for models beyond the rated specifications.
- *5 These values are reference values under rated conditions, and are not guaranteed. Do not use these values for the thermal set values, etc.
- *6 Product other than the Option R is not equipped with an earth leakage breaker. Purchase an appropriate earth leakage breaker separately.
- *7 For the IDU22 to 75E, cooling with the aftercooler helps reduce power consumption by up to 50%.

Replacement Parts

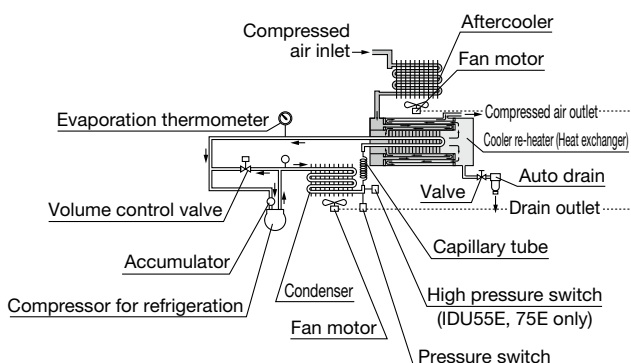
Model		IDU22E	IDU37E	IDU55E	IDU75E
Auto drain replacement parts no. ^{*8}	New	AD48-A			
	Previous	AD48			

- *8 The part number for the auto drain (Bowl assembly) components only excluding the body part. Body part replacement is not possible. In addition, a new line of auto drain models was recently introduced in either March or June 2019. The previous models and the new models do not have mounting interchangeability. For details, refer to page 43.
- *9 The maximum operating pressure is 1.0 MPa as standard, but it is possible to achieve 1.6 MPa when selecting Option L or Option V.



Construction (Air/Refrigerant Circuit)

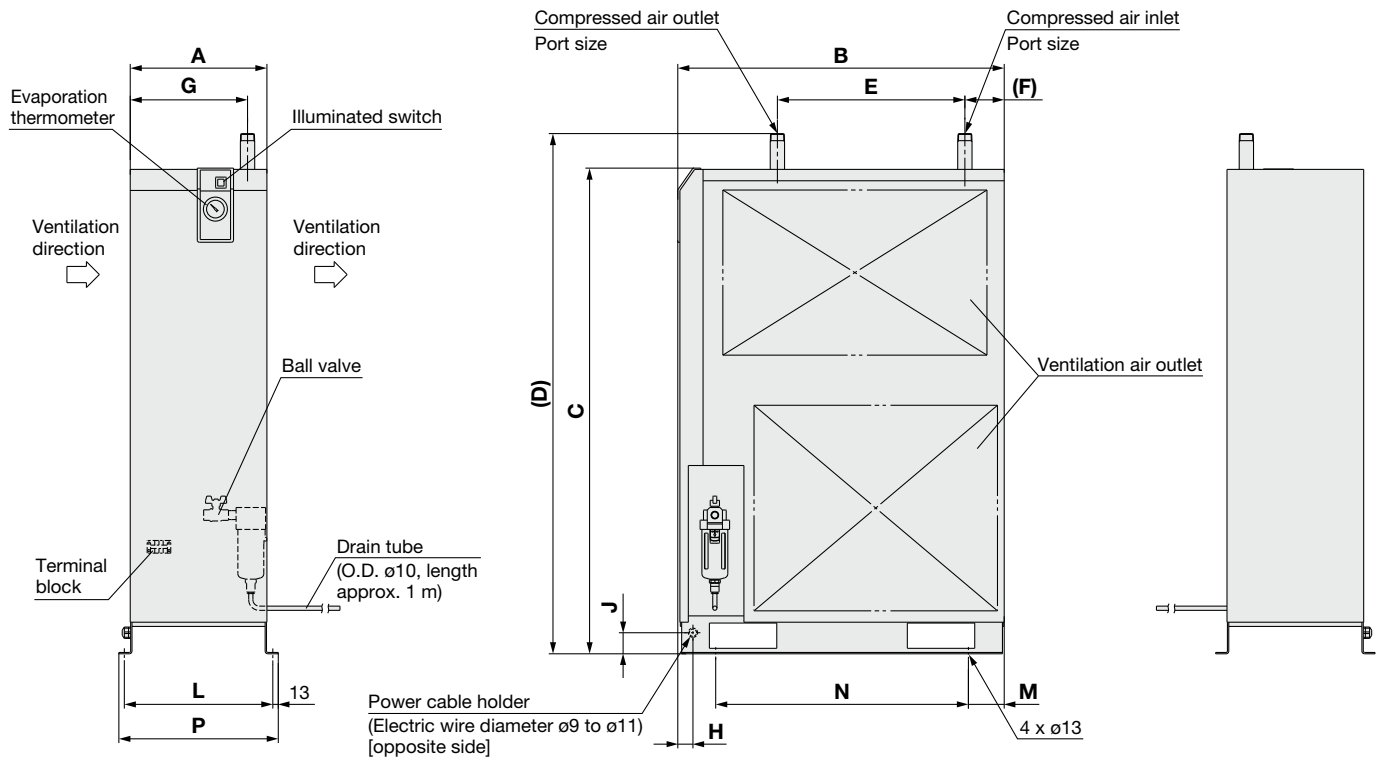
IDU22E, IDU37E, IDU55E, IDU75E



Humid, hot air coming into the air dryer will be cooled down by a heat exchanger. Water condensed at this time will be removed from the air by a drain separator and drained out automatically. Air separated from the water will be heated by a heat exchanger to obtain the dried air, which goes through to the outlet side.

Dimensions

IDU22E to 75E



Dimensions

[mm]

Model	Port size	A	B	C	D	E	F	G	H	J	L	M	N	P
IDU22E	R1	325	775	1153	1235	445	93	279	46	50	353	85	600	379
IDU37E	R1 1/2	360	855	1258	1350	550	64	290	30		388		680	414
IDU55E	R2	470		1345	1440	530	53	360		70	500	75	700	526
IDU75E			1480	1575										

IDF/IDU Series Options

Refer to “How to Order” on pages 9, 13, 14, 19, 22, and 25 for optional models.

A Option symbol Cool compressed air output (Without re-heater) IDF1E to 15E1

Cool outlet air (10°C) can be supplied.

As there is no re-heater, the air flow with this option is smaller than that of the standard air dryer. (Refer to the table below.)

If the air dryer is used out of the scope of the rated specifications or conditions, select a model according to pages 7 and 8 and apply the air flow capacity shown in the tables below to the data ⑤.

*1 Perform thermal insulation treatment for pipings and equipment installed after the dryer to prevent the formation of condensation.

*2 The Option A cannot be used for the IDF100F to 370D and the IDU series due to the construction of the heat exchanger unit.

Air Flow Capacity

Model	IDF1E	IDF2E	IDF3E	IDF4E	IDF6E	IDF8E	IDF11E	IDF15E1
Air flow capacity [m ³ /min (ANR)]	0.085	0.12	0.18	0.26	0.32	0.5	0.65	1.2
50 Hz	0.1	0.14	0.21	0.29	0.375	0.55	0.75	1.3
60 Hz								

(Rated conditions): Inlet air pressure: 0.7 MPa, Inlet air temperature: 35°C (IDF1E to 37E), 40°C (IDF55E, 75E), Outlet air temperature: 10°C

C Option symbol Anti-corrosive treatment for copper tube IDF, IDU all models

This minimizes the corrosion of the copper and copper alloy parts when the air dryer is used in an atmosphere containing hydrogen sulfide or sulfurous acid gas. (Corrosion cannot be completely prevented.)

Special epoxy coating: Copper tube and copper alloy parts. The coating is not applied on the heat exchanger or around electrical parts, where operation may be affected by the coating.

* Corrosion is not covered under warranty.

G Option symbol With Chinese labels and a Chinese operation manual IDF1E to 15E1, IDU3E to 75E

In addition, Chinese labels are put on the external panels.

A Chinese operation manual is also included.

K Option symbol Moderate pressure specification (Auto drain bowl: Metal bowl with level gauge) IDF6E to 15E1, IDU3E to 15E1

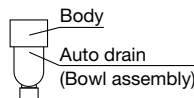
The maximum operating pressure is 1.6 MPa.

The auto drain is changed from the standard to the moderate pressure specification.

A metal bowl with a level gauge which can confirm the water level is used for the auto drain.

Specifications

- Maximum operating pressure: 1.6 MPa
- Dimensions ... same as standard products



Replacement Parts

Model	Auto drain replacement parts no.	Note
IDF6E to 15E1 IDU3E to 15E1	IDF-S1926	The AD48-8-A-X2112 auto drain (bowl assembly) excluding the body, One-touch fitting: KQ2H10-02AS, and insulator

* A new line of auto drain models was recently introduced in March 2019. The previous models and the new models do not have mounting interchangeability. For details, refer to page 43.

Model Selection

Refrigerant R134a (HFC)
IDF□□E

Refrigerant R410A (HFC)
IDF□□

Refrigerant R407C (HFC)
IDF□□F

Refrigerant R407C (HFC)
IDF□□D

Refrigerant R134a (HFC)
IDU□□E

Refrigerant R407C (HFC)
IDU□□E

Options

Optional Accessories

Specific Product Precautions

IDF/IDU Series

K Option symbol Moderate pressure specification

IDF100F to 150F

The maximum operating pressure is 1.6 MPa.
The internal drain piping is changed from the nylon tube to the metal.

Specifications

1. Maximum operating pressure: 1.6 MPa
2. Dimensions ... same as standard products

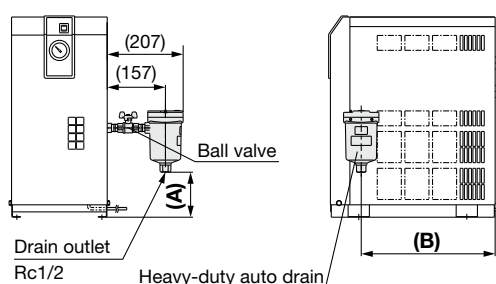
L Option symbol With a heavy-duty auto drain (applicable to moderate pressure)

IDF4E to 15E1, IDF370D,
IDU3E to 15E1, IDU22E to 75E

Drainage including dust can also be exhausted.
The float type auto drain used in the standard air dryer is replaced with a heavy-duty auto drain (ADH4000-04).
* The IDF100F to 150F, 190D, 240D standard types are equipped with a heavy-duty auto drain.

Max. operating pressure: 1.6 MPa

IDF4E to 15E1
IDU3E to 15E1

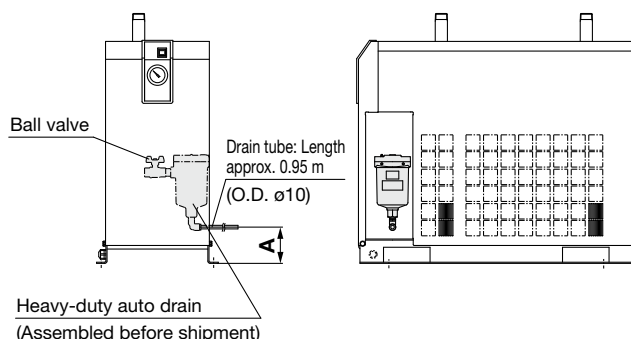


- * The heavy-duty auto drain and the ball valve are both enclosed in the same shipping package as the main body of the air dryer. Customers are required to mount the parts to the air dryer.
- * Customers will need to supply the fitting and tubing for the drain piping. (Excludes the IDF/IDU15E1)

Dimensions [mm]

Model	A	B
IDF4E	55	348
IDF6E, IDU3E	67	
IDF8E, IDF11E	139	378
IDU4E, IDU6E		
IDU8E, IDU11E	149	494
IDF15E1	47	
IDU15E1		

IDU22E to 75E

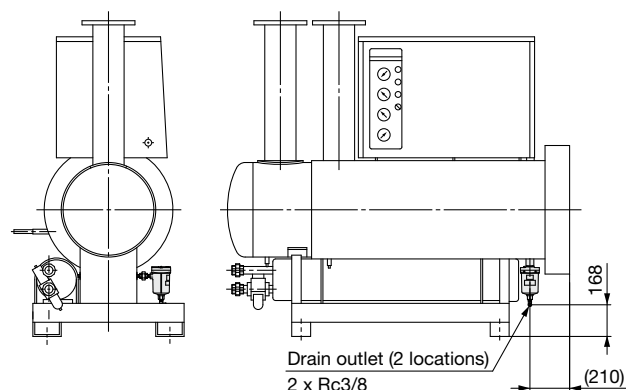


Dimensions [mm]


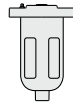

Model	A
IDU22E, 37E	Approx. 100
IDU55E	Approx. 120
IDU75E	Approx. 250

Max. operating pressure: 0.97 MPa

IDF370D



Replacement Parts: Heavy-Duty Auto Drain

Model	Part no. (Description)	Configuration
IDF4E to 15E1 IDU3E to 15E1 IDF370D	ADH4000-04 (Heavy-duty auto drain)	 Heavy-duty auto drain
IDU22E to 75E	ADH-E400 (Exhaust mechanism replacement kit)	 Exhaust mechanism replacement kit  Housing (Use existing equipment.)

M Option symbol With a motor type auto drain

IDF4E to 15E1, 190D, 240D
IDF3E to 75E

The float type auto drain used in the standard air dryer is replaced with a motor type auto drain (ADM200).

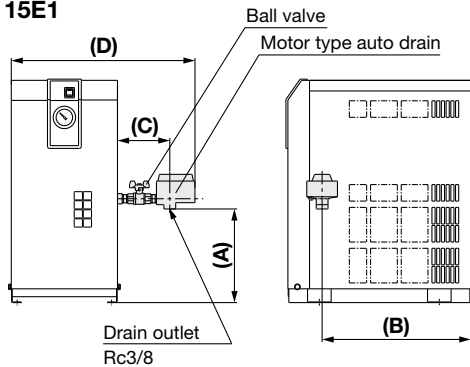
* The IDF370D standard type is equipped with a motor type auto drain.

Air Discharge

Operating air pressure	Air discharge without drainage
0.3 MPa	0.006 m ³ per cycle (ANR)
0.5 MPa	0.010 m ³ per cycle (ANR)
0.7 MPa	0.014 m ³ per cycle (ANR)

* The motor type auto drain actuates for 2 seconds per cycle. The operating cycle is as follows. IDF4E to 75E, IDU3E to 37E: Once per minute, IDU55E, 75E: Twice per minute, IDF190D to 370D: 4 times per minute.

IDF4E to 15E1 IDU3E to 15E1



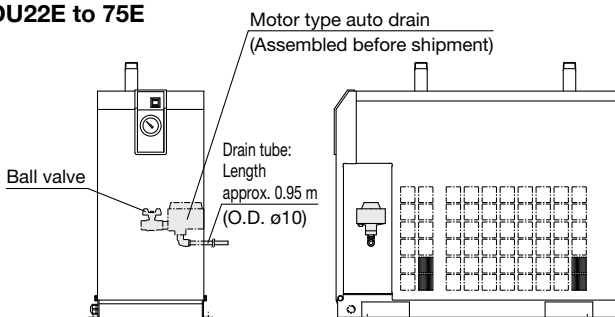
Dimensions [mm]

Model	A	B	C	D
IDF4E	154	348	133	474
IDF6E, IDU3E	166			
IDF8E, 11E	238	378		496
IDU4E, 6E				
IDU8E, 11E	248			
IDF15E1	149	494	146	510
IDU15E1	150	533	137	530

* The motor type auto drain and the ball valve are both enclosed in the same shipping package as the main body of the air dryer. Customers are required to mount the auto drain to the air dryer.

* Customers will need to supply the fitting and tubing for the drain piping. (Excludes the IDF/IDU15E1)

IDU22E to 75E

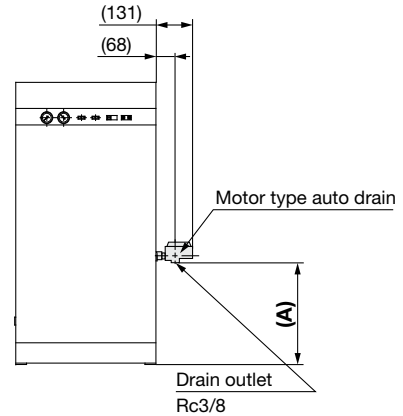


* When a longer drain tube than the one attached is necessary, remove and replace it with a tube prepared by customers. (After connection with a fitting, the drain may not flow due to a drop in pressure caused by the fitting.)

P Option symbol With a metal name plate **IDF100F to 150F**

The label identifying the model and specifications of the product is changed to a metal plate which has better endurance.

IDF190D, 240D



* The motor type auto drain is enclosed in the same shipping package as the main body of the air dryer. Customers are required to mount the auto drain to the air dryer.

Dimensions [mm]

Model	A
IDF190D	525
IDF240D	565

Replacement Parts: Motor Type Auto Drain Assembly *1

Model	Part no.	Note
IDF4E to 15E1-10 IDU3E to 15E1-10	IDF-S0087	Assembly of Motor type auto drain: ADM200-041, Plug housing assembly: 173090-2, Receptacle: 173707-1, Rubber plug: 172888-2
IDF4E to 15E1-20 IDU3E to 15E1-20 IDU22E, 37E-30	IDF-S0090	Assembly of Motor type auto drain: ADM200-042, Plug housing assembly: 173090-2, Receptacle: 173707-1, Rubber plug: 172888-2
IDU55E, 75E	IDF-S0510	Assembly of Motor type auto drain: ADM200-042-4, Plug housing assembly: 173090-2, Receptacle: 173707-1, Rubber plug: 172888-2
IDF190D, 240D	IDF-S0511	Assembly of Motor type auto drain: ADM200-042-8, Plug housing assembly: 173090-2, Receptacle: 173707-1, Rubber plug: 172888-2

*1 Including electric wire with connector on the end

Model Selection

Refrigerant R134a (HFC)
IDF□E

Refrigerant R410A (HFC)
IDF

Refrigerant R407C (HFC)
IDF□F

Refrigerant R407C (HFC)
IDF□D

Refrigerant R134a (HFC)
IDU□E

Refrigerant R407C (HFC)
IDU□E

Options

Optional Accessories

Specific Product Precautions

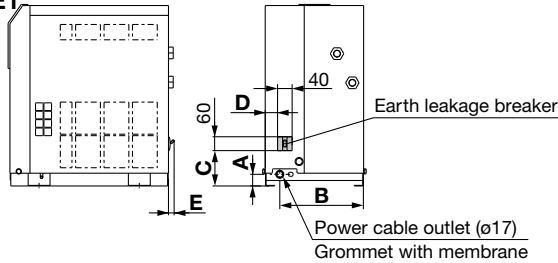
IDF/IDU Series

R Option symbol With an earth leakage breaker

Except IDF1E, 2E, 3E

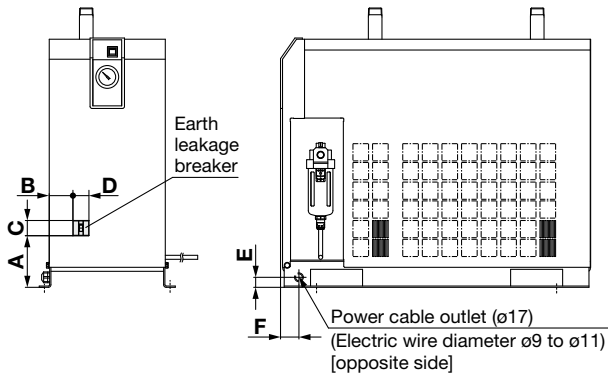
The air dryer is equipped with an earth leakage breaker, reducing the electrical wiring required during installation.
(The IDF370D does not include the electrical leakage detection function.)

IDF4E to 15E1 IDU3E to 15E1



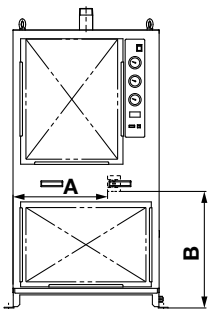
Dimensions [mm]					
Model	A	B	C	D	E
IDF4E, 6E, 8E, 11E	32	230	97	34	15
IDF15E1	43	258	102	82	—
IDU3E, 4E, 6E	32	230	97	34	15
IDU8E	42		100	37	—
IDU11E				75	
IDU15E1	43	258	102	82	

IDU22E to 75E



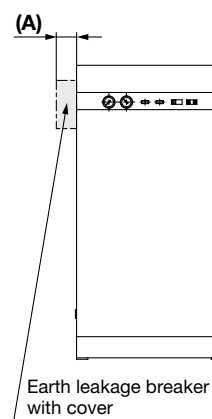
Dimensions [mm]						
Model	A	B	C	D	E	F
IDU22E-30	151	74	60	60	50	46
IDU37E-30	146	122			36	
IDU55E-30	148	55			70	
IDU75E-30	166	73				

IDF100F to 150F



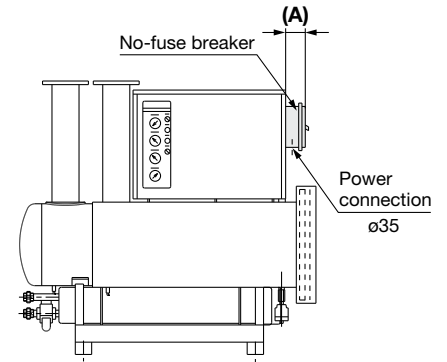
Dimensions [mm]		
Model	A	B
IDF100F	434	535
IDF125F	448	
IDF150F	628	537

IDF190D, 240D



Dimensions [mm]	
Model	A
IDF190D	95
IDF240D	
IDF370D	

IDF370D



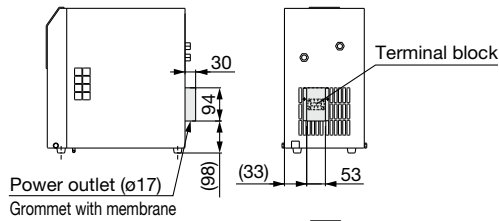
Breaker Capacity and Sensitivity of Leak Current

Voltage	Model	Breaker capacity	Sensitivity of leak current
100 V type	IDF4E-10, IDF6E-10 IDF8E-10, IDF11E-10, IDF15E1-10	10 A	30 mA
	IDU3E-10, IDU4E-10, IDU6E-10 IDU8E-10, IDU11E-10, IDU15E1-10		
	IDF4E-20, IDF6E-20 IDF8E-20, IDF11E-20		
IDU3E-20, IDU4E-20 IDU6E-20, IDU8E-20, IDU11E-20			
200 V type	IDF15E1-20 IDU15E1-20 IDU22E-30, IDU37E-30, IDU55E-30	10 A	
	IDU75E-30	15 A	
	IDF100F	30 A	
	IDF125F		
	IDF150F		
	IDF190D	50 A	
	IDF240D		
IDF370D			

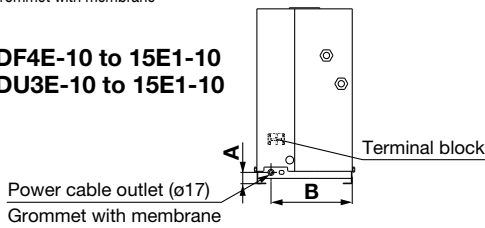
S Option symbol
Power supply terminal block connection **IDF1E-10 to 15E1-10, IDU3E-10 to 15E1-10**

The option allows the connection of a power cable to a terminal block. This option is supplied with the 200 V model as a standard accessory.

IDF1E-10 to 3E-10



IDF4E-10 to 15E1-10 IDU3E-10 to 15E1-10



Dimensions [mm]

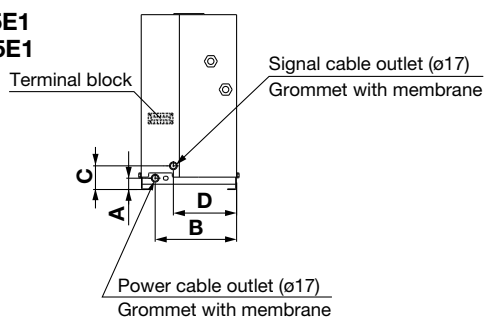
Model	A	B
IDF4E, 6E, 8E, 11E	32	230
IDF15E1	43	258
IDU3E, 4E, 6E	32	230
IDU8E, 11E	42	230
IDU15E1	43	258

T Option symbol
With a terminal block for power supply, operating, and error signals **IDF4E to 15E1, IDU3E to 15E1**

In addition to power supply connection, entry of operating and error signals is available. (No-voltage contact)

Additionally, when using the remote operation, select the Made to Order (IDF8E to 15E1-□-X256, IDU8E to 15E1-□-X256) products.

IDF4E to 15E1 IDU3E to 15E1



Contact capacity: 200 VAC/2 A
 24 VDC/2 A
 (Min. applicable load: 20 V/5 mA)

* Be sure to confirm the electric circuits with the drawings or Operation Manual before using the operating and error signals.

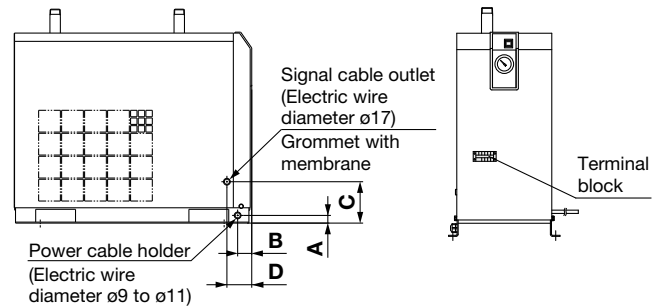
Dimensions [mm]

Model	A	B	C	D
IDF4E, 6E, 8E, 11E	32	230	67	179
IDF15E1	43	258	77	158
IDU3E, 4E, 6E	32	230	67	179
IDU8E, 11E	42	230	77	136
IDU15E1	43	258	77	158

T Option symbol
With a terminal block for power supply, operating, and error signals **IDU22E to 75E**

In addition to power supply connection, entry of operating and error signals is available. (No-voltage contact)

IDU22E to 75E



Contact capacity: 200 VAC/2 A
 24 VDC/2 A
 (Min. applicable load: 20 V/5 mA)

Dimensions [mm]

Model	A	B	C	D
IDU22E, 37E	50	46	166	81
IDU55E		36	230	
IDU75E	70		242	

V Option symbol
With a timer controlled solenoid valve type auto drain (applicable to moderate pressure) **IDU3E to 75E-23 IDF100F to 150F**

Drainage is discharged by controlling a solenoid valve with a timer. A strainer for solenoid valve protection and a stop valve are also included. (The external dimensions are the same as the standard product.)

Maximum operating pressure: 1.6 MPa (IDF100F to 150F: 1.0 MPa)

* The timer controlled solenoid valve actuates once (for 0.5 seconds) every 30 seconds.

Replacement Parts

Model	Part no.	Note
IDU3E to 37E-23	IDF-S0198	230 VAC
IDU55E, 75E-23	IDF-S0302	
IDF100F to 150F	IDF-S0405	200 VAC

IDF/IDU Series



Option symbol

Water-cooled type IDF100F to 150F, 190D, 240D

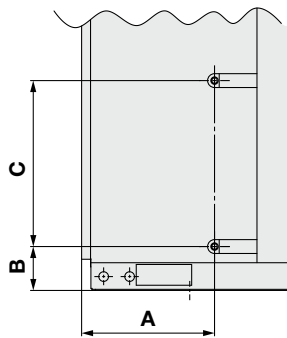
It can be used in a high temperature environment without decreasing air flow capacity. It can also be used in an enclosed environment without increasing the ambient temperature. This option is supplied with the IDF370D as a standard accessory.

Model	IDF100F	IDF125F	IDF150F	IDF190D	IDF240D
Condenser	Plate system			Shell and coil system	
Cooling water flow rate [m³/h] *1 50/60 Hz	1.29/1.56	1.74/1.98	2.16/2.52	4.8/4.8	5.4/5.4
Cooling tower performance [RT] *2	2	2.4	3	7.5	7.5
Water flow regulator	Pressure type automatic water supply valve				
Port size for water side	R1/2	R3/4	R1		

*1 Value with rated load when cooling water inlet temperature is 32°C.

*2 Calculated at 1 RT = 3300 kcal/h

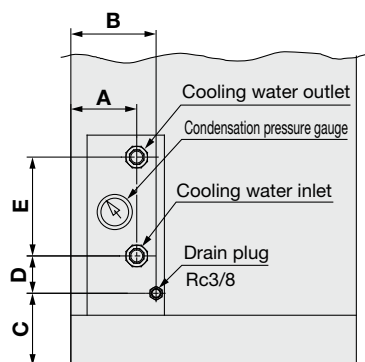
IDF100F to 150F



Dimensions [mm]

Model	A	B	C
IDF100F	384	127	479
IDF125F, 150F	234		

IDF190D, 240D




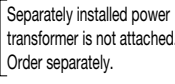




Dimensions [mm]

Model	A	B	C	D	E
IDF190D, 240D	180	250	160	48	273

IDF/IDU Series

Optional Accessories

Specifications

Description	Features	Specifications	Applicable air dryer	Dimensions
Separately installed power transformer *1, 2, 3 	Power supply and voltage for those other than the standard.	Max. ambient temperature 40°C (Relative humidity 85% or less)	IDF1E-10 to IDF15E1-10 IDU3E-10 to 15E1-10, IDU22E to 75E-30 IDF100F to 150F, IDF190D to 370D-3	p. 36, 37
Dedicated base for separately installed power transformer *2 	For integrating the separately installed power transformer and the air dryer. <small>[Separately installed power transformer is not attached. Order separately.]</small>	—	IDF4E to 15E1-10 IDU3E to 15E1-10	p. 38
Dust-protecting filter set *4 	For preventing a decline in the performance of air dryers, even in a dusty atmosphere.	Max. ambient temperature 40°C	IDF1E to 15E1 IDF190D to 240D IDU3E to 75E	p. 39
Bypass piping set 	Easy bypass piping (connect this set to the air dryer), allowing substantial reduction in the installation time.	Max. operating pressure *5 1.0 MPa Max. operating temperature IDF: 60°C IDU: 80°C	IDF1E to 15E1 IDU3E to 75E	p. 40, 41
Foundation bolt set 	For fixing the air dryer to the foundations. Easy to secure by striking the axle.	Stainless steel	IDF4E to 15E1 IDU3E to 75E IDF100F to 150F	p. 41
Piping adapter 	For converting the thread type of an IN/OUT fitting for air dryers.	Brass	IDF1E to 15E1 IDU3E to 75E IDF100F to 150F	
Conversion piping set	[When bypass piping is already in place] For ensuring conversion to the former models* (IDF6D to 15C) air piping.	Max. operating pressure *5 1.0 MPa Max. operating temperature 60°C	IDF6E to 15E1	p. 42
Conversion bypass piping set	[When there is no bypass piping] For ensuring conversion to the former models* (IDF6D to 15C) air piping.	Max. operating pressure *5 1.0 MPa Max. operating temperature 60°C	IDF6E to 15E1	p. 42

- *1 When using a power transformer for the IDF1E to 15E1 and IDU3E to 15E1, select the air dryer of 100 V.
 *2 When using a power transformer for the IDF190D and 240D, built-in transformer type is also available. (Refer to the How to Order on page 19.)
 *3 This transformer does not have CE/UKCA marking and is not compliant with UL standards.
 *4 This filter set is supplied with the IDF100F to 150F as a standard accessory.
 *5 Not applicable to the moderate pressure specification. Prepare a bypass, conversion or conversion bypass piping set suitable for the specification.

How to Order

[Separately installed power transformer]

This transformer does not have CE/UKCA marking and is not compliant with UL standards.

Single-phase type **IDF — TR 500 — 2**

Capacity

Symbol	Applicable air dryer	Capacity
500	IDF1E-10 to IDF8E-10 IDU3E-10, IDU4E-10, IDU8E-10	500 VA
1000	IDF11E-10, IDF15E1-10 IDU6E-10, IDU11E-10, IDU15E1-10	1 kVA

Power supply voltage

Symbol	Inlet voltage	Outlet voltage	Type
1	110 VAC (50 Hz) 110 to 120 VAC (60 Hz)	100 VAC (50 Hz) 100, 110 VAC (60 Hz)	Single-phase
2	200, 220, 230, 240 VAC (50 Hz) 200 to 260 VAC (60 Hz)		
3	380, 400, 415 VAC (50 Hz) 380 to 420 VAC (60 Hz)		
4	420, 440, 480 VAC (50 Hz) 420 to 520 VAC (60 Hz)		

* Refer to pages 36 and 37 for dimensions.

Three-phase type **IDF — TR 1700 — 5**

Capacity

Symbol	Applicable air dryer	Capacity
1700	IDU22E-30, IDU37E-30	1.7 kVA
4000	IDU55E-30, IDU75E-30	4 kVA
7000	IDF100F	7 kVA
9000	IDF125F, 150F	9 kVA
14000	IDF190D, 240D	14 kVA
18000	IDF370D	18 kVA

Power supply voltage

Symbol	Inlet voltage	Outlet voltage	Type
5	220 VAC (50 Hz) 220 to 240 VAC (60 Hz)	200 VAC (50 Hz) 200, 220 VAC (60 Hz)	Three-phase
6	380, 400, 415 VAC (50 Hz) 380 to 440 VAC (60 Hz)		
7	440, 460 VAC (50 Hz) 440 to 500 VAC (60 Hz)		
8	220, 240, 380, 400, 415, 440 VAC (50/60 Hz)		

* Refer to page 37 for dimensions.

IDF/IDU Series

How to Order

[Dedicated base for separately installed power transformer]

IDF — TB 403 **IDU — TB 407**

Size ●

Symbol	Applicable air dryer
403	IDF4E to 11E, IDU3E to 6E
404	IDF15E1

Size ●

Symbol	Applicable air dryer
407	IDU8E, IDU11E
408	IDU15E1
410	IDU22E
411	IDU37E

* Not available for the IDF1E to 3E, IDU55E, 75E, IDF100F to 150F, IDF190D, 240D, 370D.
In the case of the Option S, the part number will be different. Please consult with SMC separately.
Refer to page 38 for dimensions.

[Dust-protecting filter set]

IDF — FL 201 **IDF — FL 190 D** **IDU — FL 210**

Applicable air dryer ●

Symbol	Applicable air dryer
200	IDF1E, 2E
201	IDF3E
202	IDF4E
203	IDF6E, IDU3E
204	IDF8E, IDU4E
205	IDF11E, IDU6E
206	IDF15E1

Applicable air dryer ●

Symbol	Applicable air dryer
190	IDF190D
240	IDF240D

Applicable air dryer ●

Symbol	Applicable air dryer
210	IDU8E
211	IDU11E
212	IDU15E1
215	IDU22E
216	IDU37E
217	IDU55E
218	IDU75E

* This filter set is supplied with the IDF100F to 150F as a standard accessory.
Refer to page 39 for dimensions.

[Bypass piping set (Rc, R thread)]

IDF — BP 302 **IDU — BP 305**

Applicable air dryer ●

Symbol	Applicable air dryer	Thread type
300	IDF1E	Rc
301	IDF2E	
302	IDF3E	
303	IDF4E	
304	IDF6E to 11E	
316	IDF15E1	

Applicable air dryer ●

Symbol	Applicable air dryer
305	IDU3E
306	IDU4E
307	IDU6E
320	IDU8E, IDU11E
322	IDU15E1
336	IDU22E
337	IDU37E
338	IDU55E, IDU75E

* Not applicable to the moderate pressure specification (maximum operating pressure 1.6 MPa). Prepare a bypass piping set suitable for the specification by customers.

* Refer to pages 40 and 41 for bypass piping set dimensions.

[Foundation bolt set]

IDF — AB 500

Applicable air dryer ●

Symbol	Applicable air dryer
500	IDF4E to 75E
	IDU3E to 15E1
501	IDF100F to 150F
	IDU22E to 75E

* Refer to page 41 for dimensions.

[Piping adapter]

IDF — AP 601

● Applicable air dryer

Symbol	Thread type and port size		Applicable air dryer
	Male thread A side	Female thread B side	
601	R1/2	NPT1/2	IDF4E, IDU4E
603	R3/4	NPT3/4	IDF6E to 11E, IDU6E to 11E
604	NPT1	Rc1	IDU22E
605	R1	NPT1	IDF15E1, IDU15E1
606	NPT1 1/2	Rc1 1/2	IDU37E
607	NPT2	Rc2	IDF100F to 150F
609	R3/8	NPT3/8	IDF1E to 3E, IDU3E

* Refer to page 41 for dimensions.

[Conversion piping set/
Conversion bypass piping set]

Applicable to the IDF6E to 15E1.
Select Conversion Piping Set when bypass piping is already in place, and Conversion Bypass Piping Set when there is no bypass piping.

Part no.		Applicable air dryer
Conversion piping set	Conversion bypass piping set	
IDF-S0186	IDF-S0183	IDF6E
IDF-S0203	IDF-S0202	IDF8E
IDF-S0187	IDF-S0184	IDF11E
IDF-S0188	IDF-S0185	IDF15E1

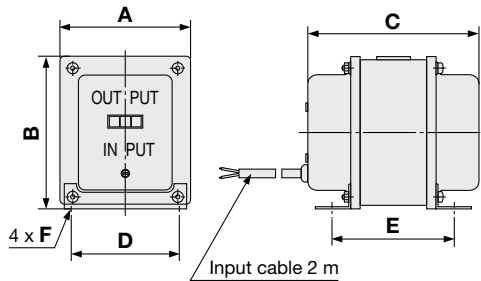
* Refer to page 42 for dimensions.

Specifications/Dimensions

[Separately installed power transformer]

This transformer does not have CE/UKCA marking and is not compliant with UL standards.

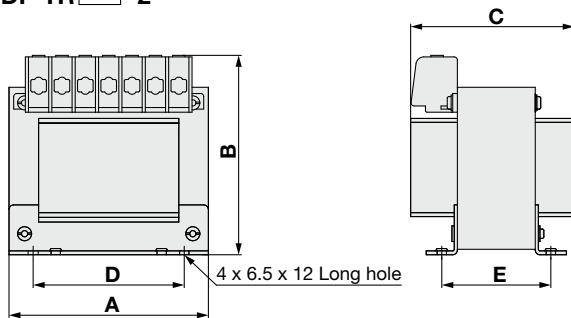
IDF-TR -1



Specifications/Dimensions

Part no.	Applicable air dryer	Capacity	Type	Inlet voltage	Outlet voltage	A	B	C	D	E	F	Weight
IDF-TR500-1	IDF1E-10 to 8E-10 IDU3E-10, 4E-10, 8E-10	500 VA	Single-phase Single-turn	110 VAC (50 Hz) 110 to 120 VAC (60 Hz)	100 VAC (50 Hz) 100, 110 VAC (60 Hz)	78	94	100	64	75	4.2 x 7 (Long hole)	1.5 kg
IDF-TR1000-1	IDF11E-10, 15E1-10 IDU6E-10, 11E-10, 15E1-10	1 kVA		104	122	134	75	114	4.2 x 9 (Long hole)	4 kg		

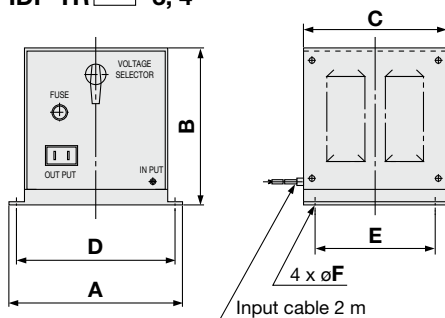
IDF-TR -2



Specifications/Dimensions

Part no.	Applicable air dryer	Capacity	Type	Inlet voltage	Outlet voltage	A	B	C	D	E	Weight
IDF-TR500-2	IDF1E-10 to 8E-10 IDU3E-10, 4E-10, 8E-10	500 VA	Single-phase Single-turn	200, 220 230, 240 VAC (50/60 Hz)	100 VAC (50/60 Hz)	128	131	105	97	70	5.8 kg
IDF-TR1000-2	IDF11E-10, 15E1-10 IDU6E-10, 11E-10, 15E1-10	1 kVA		146	143	132	110	82	9 kg		

IDF-TR -3, 4



Specifications/Dimensions

Part no.	Applicable air dryer	Capacity	Type	Inlet voltage	Outlet voltage	A	B	C	D	E	F	Weight
IDF-TR500-3	IDF1E-10 to 8E-10 IDU3E-10, 4E-10, 8E-10	500 VA	Single-phase Single-turn	380, 400, 415 VAC (50 Hz)	100 VAC (50 Hz) 110 VAC (60 Hz)	230	207	190	210	160	9	15 kg
IDF-TR1000-3	IDF11E-10, 15E1-10 IDU6E-10, 11E-10, 15E1-10	1 kVA		380 to 420 VAC (60 Hz)								
IDF-TR500-4	IDF1E-10 to 8E-10 IDU3E-10, 4E-10, 8E-10	500 VA		420, 440, 480 VAC (50 Hz)								
IDF-TR1000-4	IDF11E-10, 15E1-10 IDU6E-10, 11E-10, 15E1-10	1 kVA		420 to 520 VAC (60 Hz)	22 kg							

Model Selection

Refrigerant R134a (HFC)
IDF E

Refrigerant R410A (HFC)
IDF F

Refrigerant R407C (HFC)
IDF F

Refrigerant R407C (HFC)
IDF D

Refrigerant R134a (HFC)
IDU E

Refrigerant R407C (HFC)
IDU E

Options

Optional Accessories

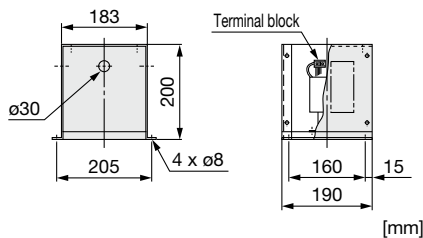
Specific Product Precautions

IDF/IDU Series

Specifications/Dimensions

[Separately installed power transformer]

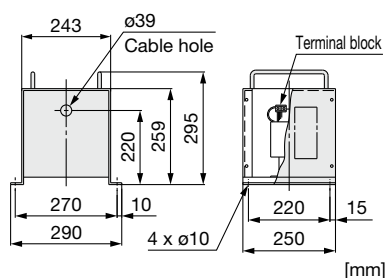
IDF-TR1700-5



Specifications

Part no.	Applicable air dryer	Capacity	Type	Inlet voltage	Outlet voltage	Weight
IDF-TR1700-5	IDU22E-30 IDU37E-30	1.7 kVA	Three-phase Single-turn	220 VAC (50 Hz) 220 to 240 VAC (60 Hz)	200 V (50 Hz) 200, 220 V (60 Hz)	9 kg

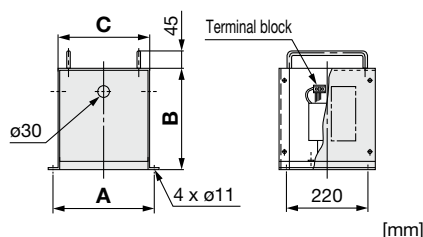
IDF-TR1700-6,7



Specifications

Part no.	Applicable air dryer	Capacity	Type	Inlet voltage	Outlet voltage	Weight
IDF-TR1700-6	IDU22E-30 IDU37E-30	1.7 kVA	Three-phase Single-turn	380, 400, 415 VAC (50 Hz) 380 to 400, 400 to 415, 415 to 440 VAC (60 Hz)	200 V (50 Hz) 200, 220 V (60 Hz)	18 kg
IDF-TR1700-7				440, 460 VAC (50 Hz) 440 to 460, 460 to 500 VAC (60 Hz)		

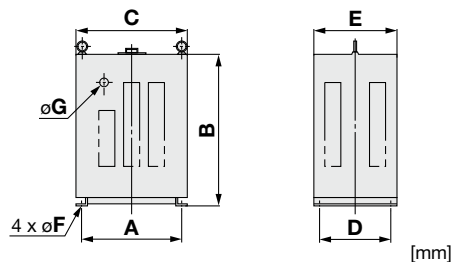
IDF-TR4000-5,6,7



Specifications/Dimensions

Part no.	Applicable air dryer	Capacity	Type	Inlet voltage	Outlet voltage	A	B	C	Weight
IDF-TR4000-5				220 V (50 Hz) 220 to 240 V (60 Hz)	200 V (50 Hz) 200, 220 V (60 Hz)	275	259	240	14 kg
IDF-TR4000-6	IDU55E-30 IDU75E-30	4 kVA	Three-phase Single-turn	380, 400, 415 V (50 Hz) 380 to 400, 400 to 415, 415 to 440 V (60 Hz)	200 V (50 Hz) 200, 220 V (60 Hz)	355	299	320	35 kg
IDF-TR4000-7				440, 460 V (50 Hz) 440 to 460, 460 to 500 V (60 Hz)	200 V (50 Hz) 200, 220 V (60 Hz)	355	299	320	42 kg

IDF-TR□-8

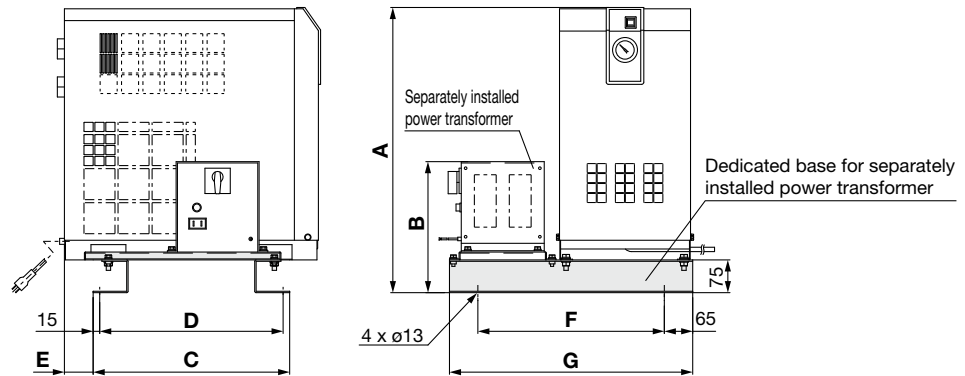


Specifications/Dimensions

Part no.	Applicable air dryer	Capacity	Type	Inlet voltage	Outlet voltage	A	B	C	D	E	F	G	Weight
IDF-TR7000-8	IDF100F	7 kVA	Three-phase	220, 240, 380, 400,	200 V (50/60 Hz)	360	540	400	260	300	11	30	94 kg
IDF-TR9000-8	IDF125F, 150F	9 kVA	Three-phase	380, 400, 415,	200 V (50/60 Hz)	400	650	450	300	350	13	40	109 kg
IDF-TR14000-8	IDF190D, 240D	14 kVA	Double-turn	415, 440 V (50/60 Hz)	200 V (50/60 Hz)	400	650	450	300	350	13	40	152 kg
IDF-TR18000-8	IDF370D	18 kVA	Double-turn	440 V (50/60 Hz)	200 V (50/60 Hz)	400	650	450	300	350	13	40	179 kg

Dimensions

[Dedicated base for separately installed power transformer]
IDF4E to 15E1
IDU3E to 37E



IDF-TB□/Dimensions

											[mm]
Part no.	Applicable air dryer	Applicable transformer	A	B	C	D	E	F	G	Unit weight [kg]	Reference weight (including air dryer and transformer) [kg]
IDF-TB403	IDF4E-10	IDF-TR500-1	573	171	345	315	45	385	515	6	29.5
		IDF-TR500-2		208							34
		IDF-TR500-3		284							43
		IDF-TR500-4		284							50
	IDF6E-10 IDU3E-10	IDF-TR500-1	643	171	370	340	45	385	515	6	30.5
		IDF-TR500-2		208							35
		IDF-TR500-3		284							44
		IDF-TR500-4		284							51
	IDF8E-10 IDU4E-10	IDF-TR500-1	643	171	370	340	45	385	515	6	34.5
		IDF-TR500-2		208							39
		IDF-TR500-3		284							48
		IDF-TR500-4		284							55
IDF11E-10 IDU6E-10	IDF-TR1000-1	643	199	370	340	45	385	515	6	38	
	IDF-TR1000-2		220							44	
	IDF-TR1000-3		284							49	
	IDF-TR1000-4		284							56	
IDF-TB404	IDF15E1-10	IDF-TR1000-1	653	199	450	420	66	427	557	7	57
		IDF-TR1000-2		220							63
		IDF-TR1000-3		284							68
		IDF-TR1000-4		284							75

IDU-TB□/Dimensions

											[mm]
Part no.	Applicable air dryer	Applicable transformer	A	B	C	D	E	F	G	Unit weight [kg]	Reference weight (including air dryer and transformer) [kg]
IDU-TB407	IDU8E-10	IDF-TR500-1	934	171	370	340	45	475	605	6	51.5
		IDF-TR500-2		208							56
		IDF-TR500-3		284							65
		IDF-TR500-4		284							72
	IDU11E-10	IDF-TR1000-1	984	199	370	340	45	475	605	6	57
		IDF-TR1000-2		220							63
IDU-TB408	IDU15E1-10	IDF-TR1000-1	1035	199	540	510	31	487	617	10	85
		IDF-TR1000-2		220							91
		IDF-TR1000-3		284							96
		IDF-TR1000-4		284							103
IDU-TB410	IDU22E-30	IDF-TR1700-5	1310	293	630	600	70	715	845	12	111
		IDF-TR1700-6, 7		352							
IDU-TB411	IDU37E-30	IDF-TR1700-5	1425	293	710	680	70	750	880	13	152
		IDF-TR1700-6, 7		352							161

Model Selection

Refrigerant R134a (HFC)
IDF□E

Refrigerant R410A (HFC)
IDF

Refrigerant R407C (HFC)
IDF□F

Refrigerant R407C (HFC)
IDF□D

Refrigerant R134a (HFC)
IDU□E

Refrigerant R407C (HFC)
IDU□E

Options

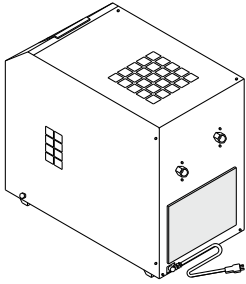
Optional Accessories

Specific Product Precautions

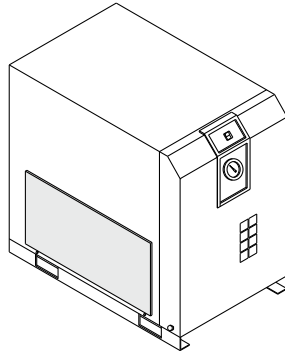
IDF/IDU Series

Dimensions

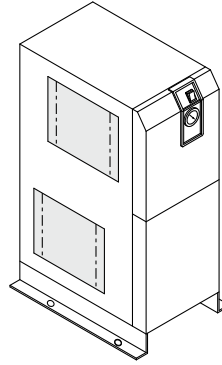
[Dust-protecting filter set]



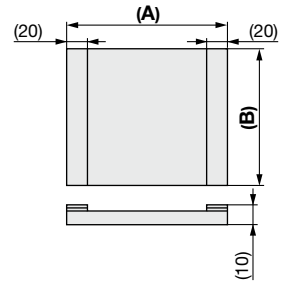
(IDF-FL200, 201)



(IDF-FL202 to 214)



(IDU-FL210 to 218)



Dimensions

		[mm]		
Part no.	Applicable air dryer	A	B	Weight [g]
IDF-FL200	IDF1E, 2E	220	150	20
IDF-FL201	IDF3E		200	30
IDF-FL202	IDF4E	310	195	45
IDF-FL203	IDF6E, IDU3E	375		55
IDF-FL204	IDF8E, IDU4E	340	265	70
IDF-FL205	IDF11E, IDU6E	375		75
IDF-FL206	IDF15E1	440	375	120

* A filter set for the IDF-FL200 to 214 consists of 1 filter.

Dimensions

		[mm]		
Part no.	Applicable air dryer	A	B	Weight [g]
IDU-FL210	IDU8E	375	265	75
		375	265	75
IDU-FL211	IDU11E	375	265	75
		360	320	90
IDU-FL212	IDU15E1	440	370	120
		440	375	120

* A filter set for the IDU-FL210 to 212, 215 to 218 consists of 2 filters.

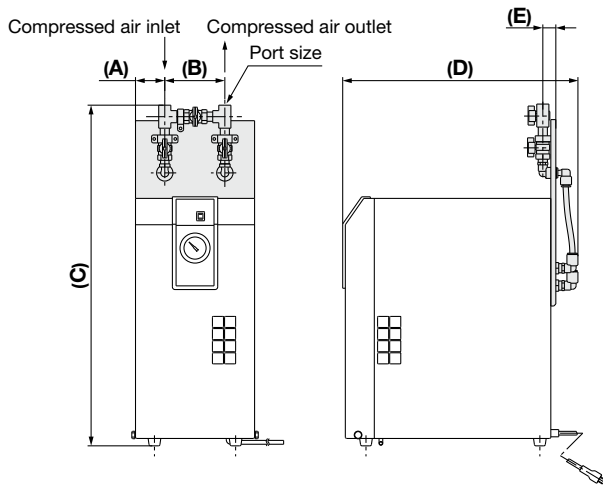
Dimensions

		[mm]	
Part no.	Applicable air dryer	A	B
IDF-FL190D	IDF190D	250	480
		750	480
IDF-FL240D	IDF240D	440	670
		600	670

* A filter set for the IDF-FL190D to 240D consists of 4 filters.

Dimensions

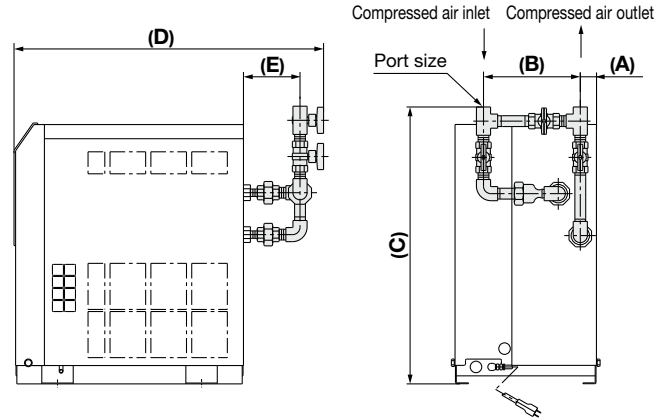
[Bypass piping set]
IDF1E to 3E



Dimensions [mm]

Part no.	Applicable air dryer	Port size Rc	A	B	C	D	E	Weight [kg]
IDF-BP300	IDF1E	3/8	56	114	549	440	21	1.5
IDF-BP301	IDF2E				628	443		
IDF-BP302	IDF3E				642	445		

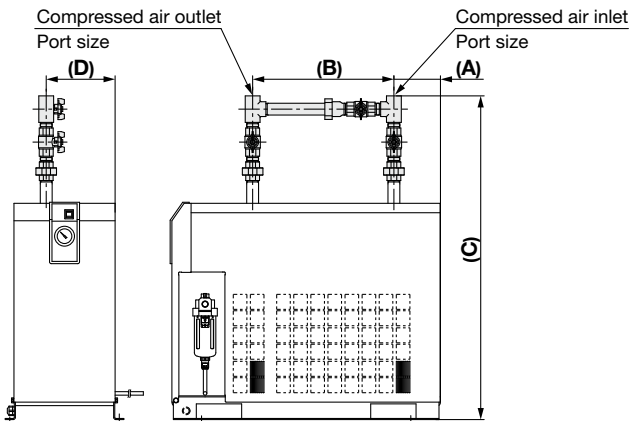
IDF4E to 15E1
IDU3E to 6E



Dimensions [mm]

Part no.	Applicable air dryer	Port size Rc	A	B	C	D	E	Weight [kg]
I D F	IDF-BP303	IDF4E	31	175	531	595	110	2.3
	IDF-BP304	IDF6E		3/4	187	555	617	129
		IDF8E	627		647			
	IDF-BP316	IDF15E1	1	41	210	710	774	136
I D U	IDU-BP305	IDU3E	31	202	506	572	100	1.6
	IDU-BP306	IDU4E		175	603	625	110	2.3
	IDU-BP307	IDU6E		187	627	647	129	3.3

IDU22E to 75E



Dimensions [mm]

Part no.	Applicable air dryer	Port size Rc	A	B	C	D	Weight [kg]	
I D U	IDU-BP336	IDU22E	1	93	445	1465	46	4.5
	IDU-BP337	IDU37E	1 1/2	64	550	1635	70	8.0
	IDU-BP338	IDU55E	2	53	530	1783	110	12.3
IDU75E		1918						

Model Selection

Refrigerant R134a (HFC)
IDF□E

Refrigerant R410A (HFC)
IDF

Refrigerant R407C (HFC)
IDF□F

Refrigerant R407C (HFC)
IDF□D

Refrigerant R134a (HFC)
IDU□E

Refrigerant R407C (HFC)
IDU□E

Options

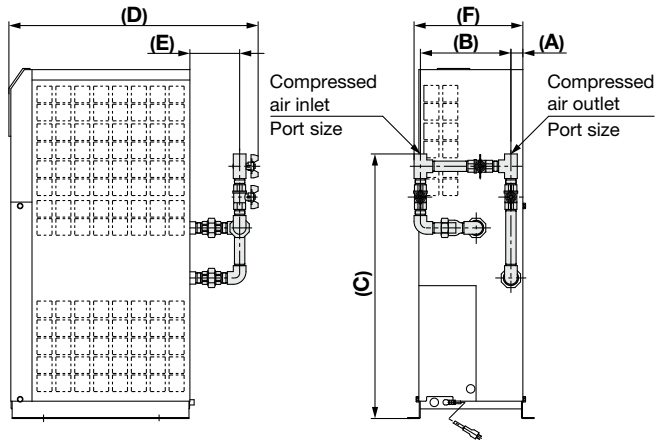
Optional Accessories

Specific Product Precautions

IDF/IDU Series

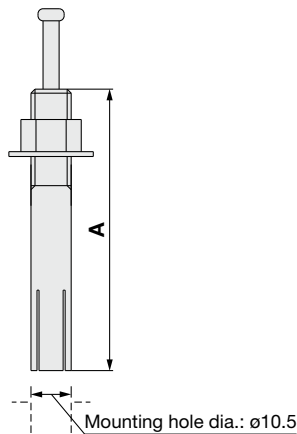
Dimensions

[Bypass piping set]
IDU8E to 15E1



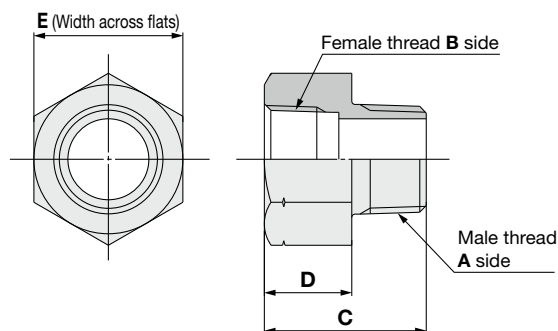
Dimensions							[mm]	
Part no.	Applicable air dryer	Port size Rc	A	B	C	D	E	Weight [kg]
IDU-BP320	IDU8E	3/4	31	210	687	647	129	3.6
	IDU11E							
IDU-BP322	IDU15E1	1	79		745	791	136	5.3

[Foundation bolt set]



Dimensions						[mm]
Part no.	Applicable air dryer	Nominal thread size	Material	Number of 1 set	A	
IDF-AB500	IDF4E to 15E1	M10	Stainless steel	4	50	
	IDU3E to 15E1					
IDF-AB501	IDU22E to 75E IDF100 to 150F				70	

[Piping adapter]

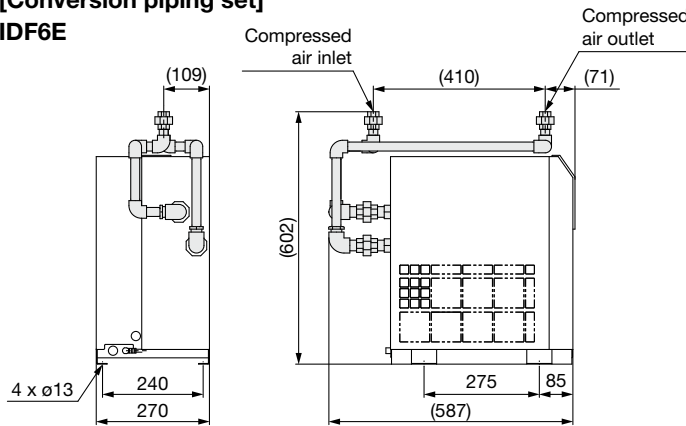


Dimensions							[mm]	
Part no.	Thread type and port size		Applicable air dryer	C	D	E	Material	Number of 1 set
	Male thread A side	Female thread B side						
IDF-AP601	R1/2	NPT1/2	IDF4E IDU4E	38	20	26	Brass	2
IDF-AP603	R3/4	NPT3/4	IDF6E to 11E IDU6E to 11E	43	23	32		
IDF-AP604	NPT1	Rc1	IDU22E	50	27	46		
IDF-AP605	R1	NPT1	IDF15E1, IDU15E1					
IDF-AP606	NPT1 1/2	Rc1 1/2	IDU37E	55	31	54		
IDF-AP607	NPT2	Rc2	IDU55E, 75E IDF100 to 150F	65	35	70		
IDF-AP609	R3/8	NPT3/8	IDF1E to 3E IDU3E	30	15	22		

Dimensions

[Conversion piping set]

IDF6E

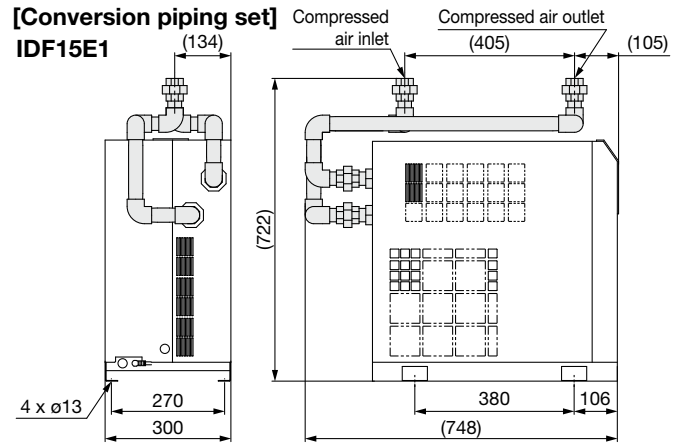


Port Size

Part no.	Applicable air dryer	Port size Rc	Weight [kg]
IDF-S0186	IDF6E	1/2	3.5

[Conversion piping set]

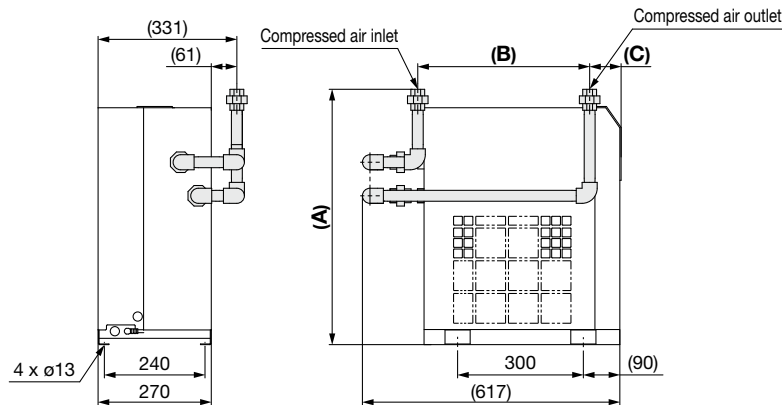
IDF15E1



Port Size

Part no.	Applicable air dryer	Port size Rc	Weight [kg]
IDF-S0188	IDF15E1	1	6.7

IDF8E, 11E

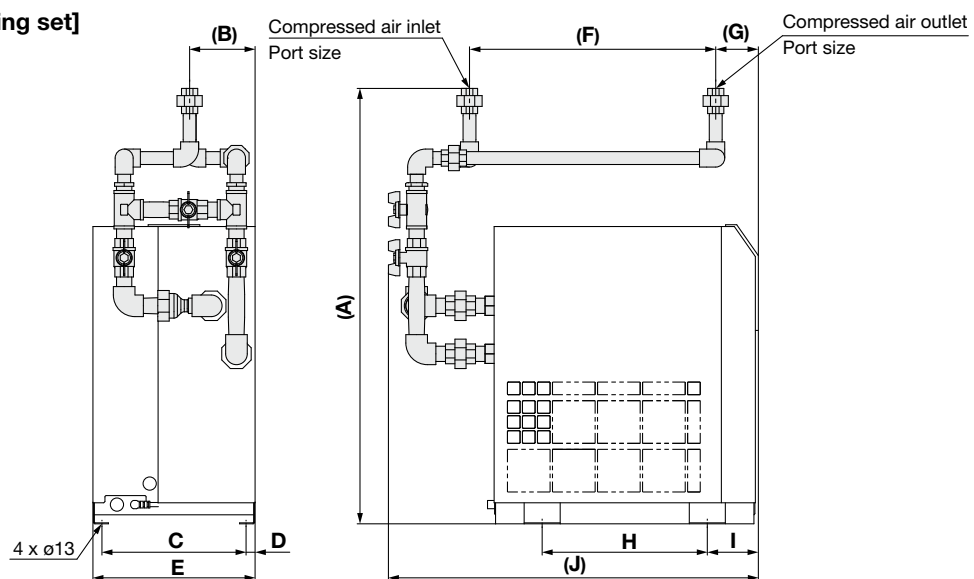


Dimensions

Part no.	Applicable air dryer	Port size Rc	A	B	C	Weight [kg]
IDF-S0203	IDF8E	3/4	609	410	75	3.8
IDF-S0187	IDF11E	3/4	669	405	89	4.0

[Conversion bypass piping set]

IDF6E to 15E1



Dimensions

Part no.	Applicable air dryer	Port size Rc	A	B	C	D	E	F	G	H	I	J	Weight [kg]
IDF-S0183	IDF6E	1/2	725	109	240	15	270	410	71	275	85	616	5.6
IDF-S0202	IDF8E	3/4	749	111	240	15	270	410	75	300	90	646	6.1
IDF-S0184	IDF11E	3/4	815	138	240	15	270	405	89	300	90	653	6.3
IDF-S0185	IDF15E1	1	897	135	270	15	300	405	105	380	106	775	10.2

Model Selection

Refrigerant R134a (HFC)
IDF□E

Refrigerant R410A (HFC)
IDF

Refrigerant R407C (HFC)
IDF□F

Refrigerant R407C (HFC)
IDF□D

Refrigerant R134a (HFC)
IDU□E

Refrigerant R407C (HFC)
IDU□E

Options

Optional Accessories

Specific Product Precautions

IDF/IDU Series

Auto Drain Replacement Parts: Previous and New Model Product Nos.

A new line of auto drain models, which feature new product numbers and a new shape, was recently introduced, with manufacturing starting in either March or June 2019 (depending on the model). The previous auto drain models and the new auto drain models do not have mounting interchangeability. Please check the serial number on the dryer specification label before ordering.

Auto drain (Bowl assembly)

Previous model



Metal bowl guard

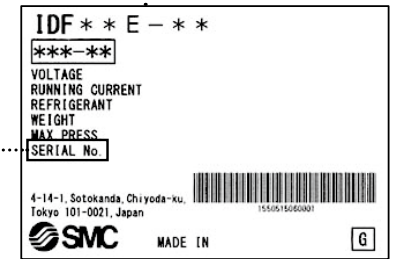
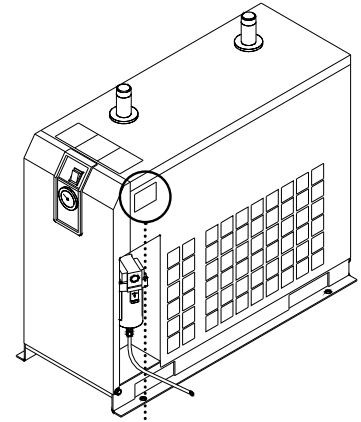
New model



Transparent bowl guard (Polycarbonate)

Dryer specification label

Serial number confirmation method



Specification Label

SERIAL No.: **X** **Q**

Manufacturing year

Manufacturing month

Symbol	Year
A	1996
B	1997
⋮	⋮
W	2018
X	2019
Y	2020
⋮	⋮

Symbol	Month
o	1
P	2
Q	3
R	4
S	5
T	6
U	7
V	8
W	9
X	10
y	11
Z	12

Dryer model	Auto drain (Bowl assembly) part no.	Manufacturing date	SERIAL No.
IDF1E	Previous AD37	Manufactured in February 2019 and before	XP and before
	New AD37-A	Manufactured in March 2019 and after	XQ and after
IDF2E/3E/4E	Previous AD38	Manufactured in February 2019 and before	XP and before
	New AD38-A	Manufactured in March 2019 and after	XQ and after
IDF6E/8E/11E/15E1/22E/37E IDU3E/4E/6E/8E/11E/15E1/22E/37E	Previous AD48	Manufactured in February 2019 and before	XP and before
	New AD48-A	Manufactured in March 2019 and after	XQ and after
IDF55E/75E IDU55E/75E	Previous AD48	Manufactured in May 2019 and before	XS and before
	New AD48-A	Manufactured in June 2019 and after	XT and after

Option: K Moderate pressure specification (Auto drain bowl type: Metal bowl with level gauge)

Previous model



New model



Dryer model	Auto drain (Bowl assembly) part no.	Manufacturing date	SERIAL No.
IDF6E/8E/11E/15E1 -K IDU3E/4E/6E/8E/11E/15E1 -K	Previous IDF-S0086 ^{*1}	Manufactured in February 2019 and before	XP and before
	New IDF-S1926 ^{*2}	Manufactured in March 2019 and after	XQ and after
IDF22E/37E -K	Previous AD48-8-X2110	Manufactured in February 2019 and before	XP and before
	New AD48-8-A-X2112	Manufactured in March 2019 and after	XQ and after

*1 Assembly of auto drain: AD48-8-X2110, One-touch fitting: KQ2H10-02AS, and insulator

*2 Assembly of auto drain: AD48-8-A-X2112, One-touch fitting: KQ2H10-02AS, and insulator



IDF/IDU Series

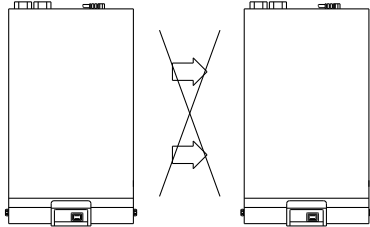
Specific Product Precautions 1

Be sure to read this before handling the products. Refer to the back cover for Safety Instructions. For Air Preparation Equipment Precautions, refer to the Handling Precautions for SMC Products and the Operation Manual on the SMC website, <https://www.smcworld.com>

Installation

⚠ Caution

- Avoid locations where the air dryer will be in direct contact with wind and rain. (Avoid locations where relative humidity is 85% or more.)
- Avoid exposure to direct sunlight.
- Avoid locations that contain much dust, corrosive gases, or flammable gases. Failure due to corrosion is not covered under warranty. However, when the risk of corrosion is high, select the Option C (anti-corrosive treatment for copper tube).
- Avoid locations of poor ventilation and high temperature.
- Avoid locations where the air dryer is too close to a wall, etc. Leave a sufficient space between the air dryer and the wall according to the Maintenance Space in the Operation Manual.
- Avoid locations where the air dryer could draw in high temperature air discharged from an air compressor or other dryer.



Confirm that the exhaust air does not flow into the neighboring equipment.

- Avoid locations where vibrations occur.
- Avoid possible locations where the drain can freeze.
- Avoid locations with an ambient temperature 40°C or higher (IDF100F to 150F: 45°C or higher).
- Avoid installation on machines for transporting, such as vehicles, ships, etc.
- Avoid locations where rapid pressure fluctuation or flow speed change is generated.
- When installing in locations where the dripping of condensation is a problem
Depending on the operating conditions, the product and its downstream pipes could drip water due to condensation formed by supercooling.
If this is a problem, install a drain receiver below this product or the condensation points and empty it regularly.
Alternatively, wind additional insulation around the condensation points.

Drain Tube

⚠ Caution

- A polyurethane tube is attached as a drain tube for the IDF1E to 150F, IDU3E to 75E. Use this tube to discharge drainage to a drain tank, etc.
- Do not use the drain tube in an upward direction. Do not bend or crush the drain tube. (Otherwise, the operation of an auto drain will stop and drainage will discharge through the air outlet.) If it is unavoidable that the tube goes upward, make sure it only goes as far as the position of the auto drain outlet.
- The drain tube comes with a tube fitting. Pipe a 10 mm O.D. tube with a length of 5 m or less.

Power Supply

⚠ Caution

<100 VAC>

- Insert the power supply plug to an exclusive 100 VAC power outlet.
 - Install an earth leakage breaker*¹ suitable to each model for the power supply.
 - Maintain voltage range within $\pm 10\%$ of the rated voltage.
 - Be sure to ground the power supply prior to use.
 - Multiple-branch wiring is dangerous since it causes overheating.
 - Do not extend the power cable by using a table tap, etc.
A voltage drop may cause the air dryer to stop operating.
- *¹ Select an earth leakage breaker with a sensitivity of leak current of 30 mA and a rated current of 10 A.

<200 VAC>

- Connect the power supply to the terminal block.
 - Install an earth leakage breaker*² suitable to each model for the power supply.
 - Maintain voltage range within $\pm 10\%$ of the rated voltage.
- *² Select an earth leakage breaker with a sensitivity of leak current of 30 mA. As regards rated current, refer to Applicable Earth Leakage Breaker Capacity on pages 10, 15, 16, 20, 23, and 26.

When using with other voltages than specified for a standard product, use a separately installed power transformer. (page 34)

Model Selection

Refrigerant R134a (HFC)
IDF□E

Refrigerant R410A (HFC)
IDF

Refrigerant R407C (HFC)
IDF□F

Refrigerant R407C (HFC)
IDF□D

Refrigerant R134a (HFC)
IDU□E

Refrigerant R407C (HFC)
IDU□E

Options

Optional Accessories

Specific Product Precautions



IDF/IDU Series

Specific Product Precautions 2

Be sure to read this before handling the products. Refer to the back cover for Safety Instructions. For Air Preparation Equipment Precautions, refer to the Handling Precautions for SMC Products and the Operation Manual on the SMC website, <https://www.smcworld.com>

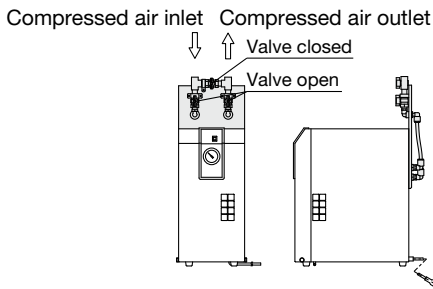
Air Piping

⚠ Caution

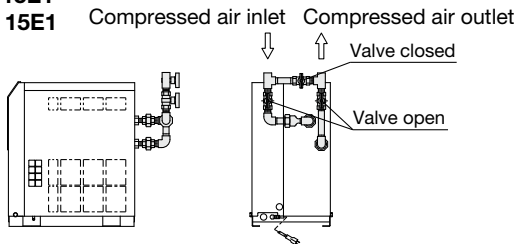
- Be careful to avoid an error in connecting the air piping at the compressed air inlet (IN) and outlet (OUT).
- Install bypass piping since it is needed for maintenance.

Use the bypass piping set on pages 40 and 41.

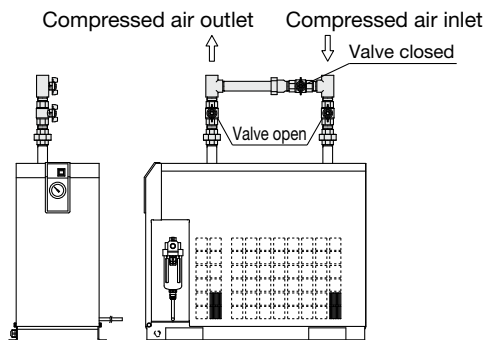
IDF1E to 3E



IDF4E to 15E1 IDU3E to 15E1



IDU22E to 75E



- When tightening the inlet/outlet air piping, firmly hold the hexagonal parts of the port on the air dryer side or piping with a wrench or adjustable angle wrench.
- Variations in operating conditions may cause condensation to form on the surface of the outlet piping. Apply thermal insulation around the piping to prevent condensation from forming.
- Confirm that vibrations resulting from the compressor are not transmitted through the air piping to the air dryer.
- Do not allow the weight of the piping to lie directly on the air dryer.
- If a metallic flexible tubing is used for the inlet/outlet air piping, abnormal noise might be generated in the piping. In that case, please change it to the steel tubing.

Protection Circuit

⚠ Caution

When the air dryer is operated in the following cases, the protection circuit will activate, the light will turn off and the air dryer will come to stop.

- The compressed air temperature is too high.
- The compressed air flow rate is too high.
- The ambient temperature is too high. (40°C or higher (IDF100F to 150F: 45°C or higher))
- The fluctuation of the power supply voltage is beyond ±10% of the rated voltage.
- The air dryer is drawing in high temperature air exhausted from an air compressor or other dryer.
- The ventilation grille is obstructed by a wall or clogged with dust.

Transportation and Installation

⚠ Warning

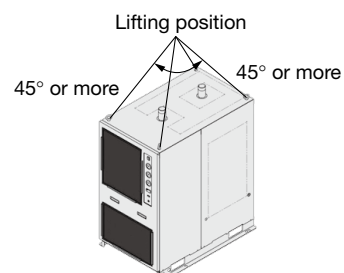
Be sure to follow the instructions below for transporting the product.

- The product is filled with refrigerant. Transport it (by land, sea or air) in accordance with laws and regulations specified.
- When carrying the product, be careful not to let it drop or fall over. Lift it by using a forklift or rope and lifting hook. The lifting angle should be 45° or more.

Note) The lifting hooks are installed on the IDF100F to 150F.

- Do not lift the product by holding the panel, fittings or piping.
- Never lay the product down for transportation. This may lead to damage to the product.

- The product is heavy and has potential dangers in transportation. Be sure to follow the instructions above.
- Be sure to use a forklift or lifting hook for transporting the product.





IDF/IDU Series Specific Product Precautions 3

Be sure to read this before handling the products. Refer to the back cover for Safety Instructions. For Air Preparation Equipment Precautions, refer to the Handling Precautions for SMC Products and the Operation Manual on the SMC website, <https://www.smcworld.com>

Compressor Air Delivery

⚠ Caution

Use an air compressor with an air delivery of 100 L/min or more for a model other than the IDF1E.

Since the auto drain of the IDF2E to 15E1, IDU3E to 75E is designed in such a way that the valve remains open unless the air pressure rises to 0.1 MPa or higher, air will blow out from the drain outlet at the time of air compressor start up until the pressure increases. Therefore, if an air compressor has a small air delivery, the pressure may not be sufficient.

Auto Drain

⚠ Caution

The auto drain may not function properly, depending on the quality of the compressed air. Check the operation once a day.

Cleaning of Ventilation Area (Air-cooled)

⚠ Caution

Remove dust from the ventilation area once a month using a vacuum cleaner or an air blow nozzle.

Time Delay for Restarting

⚠ Caution

- Allow at least three minutes before restarting the air dryer. Otherwise, the protection circuit will activate, the light will turn off and the air dryer will not start up.
- The residual drainage in the air dryer may splash over the outlet when the operation is re-started, so it is recommended to install a filter on the outlet of the air dryer.

Modifying the Standard Specifications

⚠ Caution

Do not modify the standard product using any of the optional specifications once the product has been supplied to a customer. Check the specifications carefully before selecting an air dryer. In addition, do not disassemble or modify the product. Products which have been disassembled and/or modified cannot be guaranteed.

Facility Water Supply (Water-cooled)

⚠ Warning

1. Be certain to supply the facility water.

1. Prohibition of water-cut operation, very little flow rate of water operation.

Do not operate under the condition that there is no facility water or where there is very little flow rate of water is flowing. In this kind of operation, facility water temperature may become extremely higher. It is dangerous enough the material of hose may soften and burst when the piping supplying the facility water is connected with hose.

2. Actions to be taken when an emergency stop occurs due to high temperature.

In case a stop occurs due to extremely high temperature resulting from a decrease in the facility water flow rate, do not immediately flow facility water. It is dangerous enough the material of hose may soften and burst when the piping supplying the facility water is connected with hose.

First, naturally let it cool down by removing the cause of the flow rate reduction. Secondly, confirm that there is no leakage again.

⚠ Caution

1. Facility water quality

1. Use the facility water within the specified range as shown below. When using with other fluids than facility water, please consult with SMC.
2. When it is likely that foreign matter may enter the fluid, install a filter (20 mesh or equivalent).

<Facility Water Quality Standard>

The Japan Refrigeration and Air Conditioning Industry Association JRA GL-02-1994 "Cooling water system - Circulation type - Circulating water"

	Item	Unit	Standard value
Standard item	pH (at 25°C)	—	6.5 to 8.2
	Electric conductivity (25°C)	[μS/cm]	100*1 to 800*1
	Chloride ion (Cl ⁻)	[mg/L]	200 or less
	Sulfuric acid ion (SO ₄ ²⁻)	[mg/L]	200 or less
	Acid consumption amount (at pH4.8)	[mg/L]	100 or less
	Total hardness	[mg/L]	200 or less
	Calcium hardness (CaCO ₃)	[mg/L]	150 or less
Reference item	Ionic state silica (SiO ₂)	[mg/L]	50 or less
	Iron (Fe)	[mg/L]	1.0 or less
	Copper (Cu)	[mg/L]	0.3 or less
	Sulfide ion (S ₂ ⁻)	[mg/L]	Should not be detected.
	Ammonium ion (NH ₄ ⁺)	[mg/L]	1.0 or less
	Residual chlorine (Cl)	[mg/L]	0.3 or less
	Free carbon (CO ₂)	[mg/L]	4.0 or less

*1 In the case of [MΩ·cm], it will be 0.00125 to 0.01.

■ Refrigerant with GWP Reference

Refrigerant	Global Warming Potential (GWP)		
	Regulation (EU) No 517/2014 (Based on the IPCC AR4)	Fluorocarbon Emissions Control Act (Japan) GWP value labeled on products	GWP value to be used for reporting the calculated amount of leakage
R134a	1,430	1,430	1,300
R404A	3,922	3,920	3,940
R407C	1,774	1,770	1,620
R410A	2,088	2,090	1,920

* This product is hermetically sealed and contains fluorinated greenhouse gases (HFC). When this product is sold on the market in the EU after January 1, 2017, it needs to be compliant with the quota system of the F-Gas Regulation in the EU.

* See specification table for refrigerant used in the product.

Model Selection

Refrigerant R134a (HFC) IDF □ E

Refrigerant R410A (HFC) IDF

Refrigerant R407C (HFC) IDF □ F

Refrigerant R407C (HFC) IDF □ D

Refrigerant R134a (HFC) IDU □ E

Refrigerant R407C (HFC) IDU □ E

Options

Optional Accessories

Specific Product Precautions

Safety Instructions

These safety instructions are intended to prevent hazardous situations and/or equipment damage. These instructions indicate the level of potential hazard with the labels of “**Caution**,” “**Warning**” or “**Danger**.” They are all important notes for safety and must be followed in addition to International Standards (ISO/IEC)*1), and other safety regulations.

⚠ Danger : **Danger** indicates a hazard with a high level of risk which, if not avoided, will result in death or serious injury.

⚠ Warning: **Warning** indicates a hazard with a medium level of risk which, if not avoided, could result in death or serious injury.

⚠ Caution: **Caution** indicates a hazard with a low level of risk which, if not avoided, could result in minor or moderate injury.

*1) ISO 4414: Pneumatic fluid power - General rules and safety requirements for systems and their components
ISO 4413: Hydraulic fluid power - General rules and safety requirements for systems and their components
IEC 60204-1: Safety of machinery - Electrical equipment of machines - Part 1: General requirements
ISO 10218-1: Robots and robotic devices - Safety requirements for industrial robots - Part 1: Robots etc.

Warning

1. The compatibility of the product is the responsibility of the person who designs the equipment or decides its specifications.

Since the product specified here is used under various operating conditions, its compatibility with specific equipment must be decided by the person who designs the equipment or decides its specifications based on necessary analysis and test results. The expected performance and safety assurance of the equipment will be the responsibility of the person who has determined its compatibility with the product. This person should also continuously review all specifications of the product referring to its latest catalog information, with a view to giving due consideration to any possibility of equipment failure when configuring the equipment.

2. Only personnel with appropriate training should operate machinery and equipment.

The product specified here may become unsafe if handled incorrectly. The assembly, operation and maintenance of machines or equipment including our products must be performed by an operator who is appropriately trained and experienced.

3. Do not service or attempt to remove product and machinery/equipment until safety is confirmed.

1. The inspection and maintenance of machinery/equipment should only be performed after measures to prevent falling or runaway of the driven objects have been confirmed.
2. When the product is to be removed, confirm that the safety measures as mentioned above are implemented and the power from any appropriate source is cut, and read and understand the specific product precautions of all relevant products carefully.
3. Before machinery/equipment is restarted, take measures to prevent unexpected operation and malfunction.

4. Our products cannot be used beyond their specifications. Our products are not developed, designed, and manufactured to be used under the following conditions or environments. Use under such conditions or environments is not covered.

1. Conditions and environments outside of the given specifications, or use outdoors or in a place exposed to direct sunlight.
2. Use for nuclear power, railways, aviation, space equipment, ships, vehicles, military application, equipment affecting human life, body, and property, fuel equipment, entertainment equipment, emergency shut-off circuits, press clutches, brake circuits, safety equipment, etc., and use for applications that do not conform to standard specifications such as catalogs and operation manuals.
3. Use for interlock circuits, except for use with double interlock such as installing a mechanical protection function in case of failure. Please periodically inspect the product to confirm that the product is operating properly.

Caution

We develop, design, and manufacture our products to be used for automatic control equipment, and provide them for peaceful use in manufacturing industries.

Use in non-manufacturing industries is not covered.

Products we manufacture and sell cannot be used for the purpose of transactions or certification specified in the Measurement Act.

The new Measurement Act prohibits use of any unit other than SI units in Japan.

Limited warranty and Disclaimer/ Compliance Requirements

The product used is subject to the following “Limited warranty and Disclaimer” and “Compliance Requirements”.

Read and accept them before using the product.

Limited warranty and Disclaimer

1. The warranty period of the product is 1 year in service or 1.5 years after the product is delivered, whichever is first.*2)
Also, the product may have specified durability, running distance or replacement parts. Please consult your nearest sales branch.
2. For any failure or damage reported within the warranty period which is clearly our responsibility, a replacement product or necessary parts will be provided. This limited warranty applies only to our product independently, and not to any other damage incurred due to the failure of the product.
3. Prior to using SMC products, please read and understand the warranty terms and disclaimers noted in the specified catalog for the particular products.

*2) **Vacuum pads are excluded from this 1 year warranty.**

A vacuum pad is a consumable part, so it is warranted for a year after it is delivered.

Also, even within the warranty period, the wear of a product due to the use of the vacuum pad or failure due to the deterioration of rubber material are not covered by the limited warranty.

Compliance Requirements

1. The use of SMC products with production equipment for the manufacture of weapons of mass destruction (WMD) or any other weapon is strictly prohibited.
2. The exports of SMC products or technology from one country to another are governed by the relevant security laws and regulations of the countries involved in the transaction. Prior to the shipment of a SMC product to another country, assure that all local rules governing that export are known and followed.

Revision History

Edition B * Added: Refrigerated Air Dryers IDF15E/22E/37E, IDU8E/11E/15E
* Deleted: Option H (Moderate pressure specification (Auto drain bowl: Metal bowl))
* Compressor Intake Condition to Air Flow Capacity has been added to the standard specifications.

Edition E * Added: Refrigerated Air Dryers IDU55E/75E
* Deleted: Refrigerated Air Dryers IDU55C/75C
* Number of pages has been increased from 44 to 52. MR

Edition I * Power consumption and operating current for the IDU37E-23 and IDU55E-23 have been changed. SZ

Edition C * Added: Refrigerated Air Dryers IDF55E/75E
* A Piping Adapter has been added as an optional accessory.
* Number of pages has been increased from 24 to 32. KV

Edition F * The “Quick Reference Guide to Air Preparation Equipment” has been changed.
* Number of pages has been decreased from 52 to 48. OT

Edition J * Excerpted from Best Pneumatics No. 6 (Ver. 6)
* Option G (With Chinese labels and a Chinese operation manual) has been added to the IDF100F/125F/150F series.

Edition D * Added: Refrigerated Air Dryers IDF120D to 240D, IDF370B
* Added: Refrigerated Air Dryers IDU22E/37E, IDU55C/75C
* Number of pages has been increased from 32 to 44. LS

Edition G * Not available

* The refrigerant charge has been added to the specifications table.
* The “Refrigerant with GWP Reference” has been added. VX

Edition H * Excerpted page 21 to 67 from Best Pneumatics No. 5 (Ver. 5) RZ

Edition K * Discontinued products have been deleted.
* The “Refrigerant with GWP Reference” table has been updated.
* The safety instructions have been updated.

Safety Instructions

Be sure to read the “Handling Precautions for SMC Products” (M-E03-3) and “Operation Manual” before use.

SMC Corporation

Akihabara UDX 15F,
4-14-1, Sotokanda, Chiyoda-ku, Tokyo 101-0021, JAPAN
Phone: 03-5207-8249 Fax: 03-5298-5362
<https://www.smcworld.com>
© 2024 SMC Corporation All Rights Reserved

Specifications are subject to change without prior notice and any obligation on the part of the manufacturer.

D-G